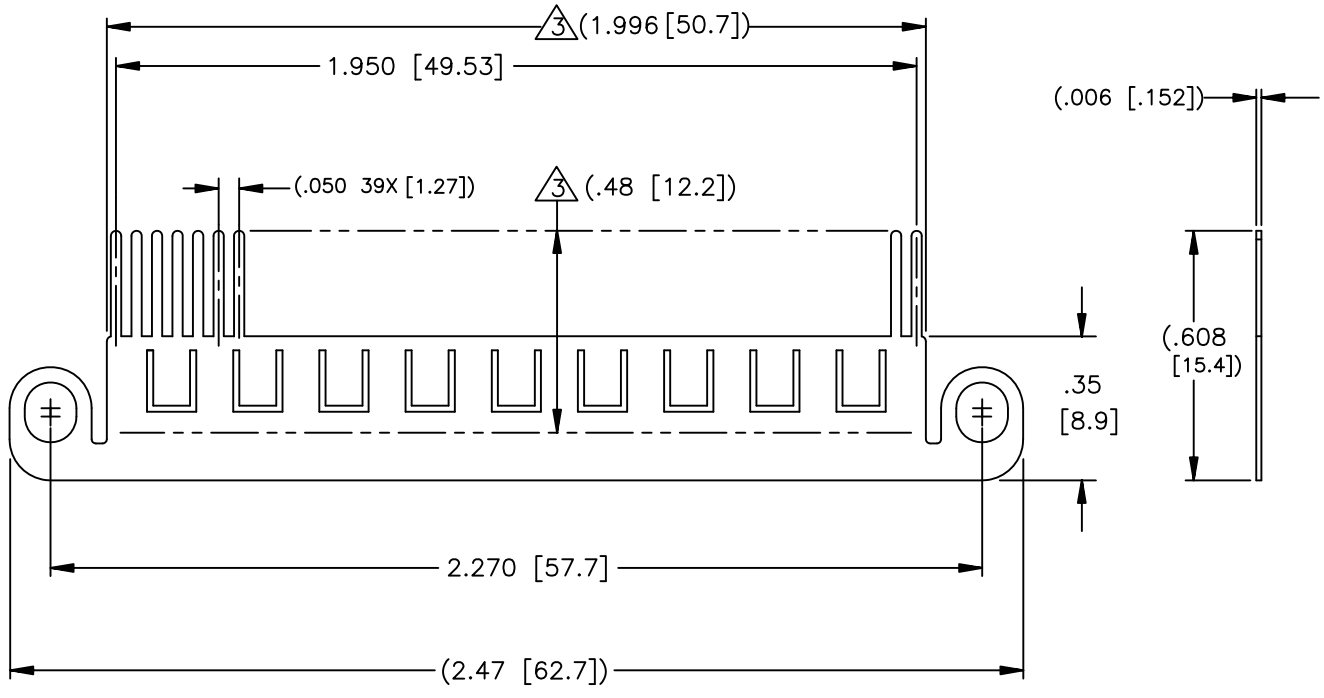


THIS DRAWING AND THE INFORMATION SET FORTH HERE-ON ARE THE PROPERTY OF TYCO ELECTRONICS CORPORATION, AND ARE TO BE HELD IN TRUST AND CONFIDENCE. PUBLICATION, DUPLICATION, DISCLOSURE, OR USE FOR ANY PURPOSE NOT EXPRESSLY AUTHORIZED IN WRITING BY TYCO ELECTRONICS CORPORATION IS PROHIBITED.

REVISIONS			
LTR	DESCRIPTION	DATE	APPROVED
2	REVISED PER ECN T-11659	89 APR 3	J.B.
B	(A REV SKIPPED TO MATCH PD) PER ECO-10-018487	SEP/8/2010	M.HIGGY
B1	ADMINISTRATIVE CHANGE REMOVE SQ. TABS FROM PICTURE, PER ECO-10-019722	SEP/27/2010	M.HIGGY
C	PER ECO-10-021253	Oct/18/2010	M.HIGGY

NOTES:

1. MATERIAL: COPPER ALLOY 172 PER ASTM B194
  2. FINISH: SOLDER PLATE PER SAE-AMS-P-81728 USING Sn63.
- ③ POST FLUXED PER ANSI-JSTD-004, TYPE RMA



If this document is printed it becomes uncontrolled. Check for the latest revision

# CUSTOMER DRAWING

©2010 Tyco Electronics. All rights reserved.

UNLESS OTHERWISE SPECIFIED DIMENSIONS ARE IN INCHES. METRIC DIMENSIONS ARE IN BRACKETS.  DECIMALS .XXX ± .005 [.13 mm] .XX ± .01 [.254 mm]	REDRAWN ZSOFIA ORBAN DATE SEP/7/2010		Raychem Interconnect 300 Constitution Drive Menlo Park, CA 94025 U.S.A.	
	CHECKED - DATE -			TITLE 2 INCH BUSBAR, ALL-FINGERS, CABLE CLAMP MOUNTING EARS MTC50 SERIES
	APPROVED - DATE -	APPROVED M. HIGGY DATE SEP/7/2010	SIZE A	DWG. NO. CTA-0128
	CAD NAME CTA-0128	THIRD ANGLE PROJECTION 	CAGE CODE: 06090	REV C

# Mouser Electronics

Authorized Distributor

Click to View Pricing, Inventory, Delivery & Lifecycle Information:

[TE Connectivity:](#)

[221365-000](#)