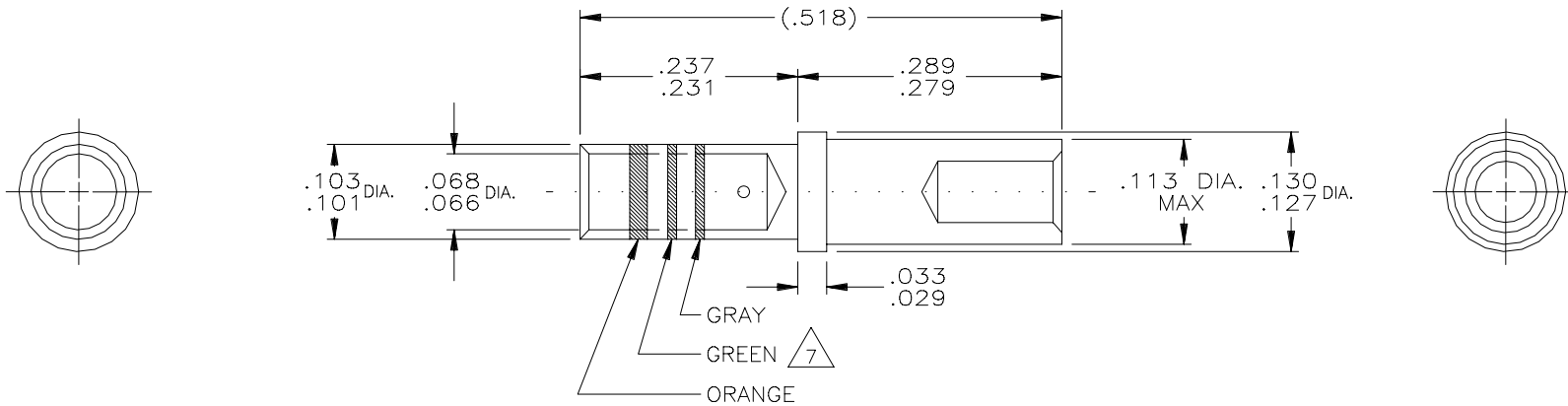


REVISIONS			
LTR	DESCRIPTION	DATE	APPROVED
C	REVISED PER ECN T-012837	8-5-86	J.B.



NOTES:

- THIS CONTACT IS DESIGNED TO MEET ALL REQUIREMENTS OF MIL-C-39029/57, SIZE 16 (BIN CODE NO. 358).
- MINIMUM SEPERATION FORCE USING MS3197-16X1 TEST PIN, 2 OZ. MAXIMUM ENGAGEMENT FORCE USING MS3197-16Y1 TEST PIN, 30 OZ.
- DIMENSIONS SHOWN HEREON ARE FOR REFERENCE ONLY.
- RECOMMENDED WIRE STRIP LENGTH .210 - .250.
- CRIMP TOOL RECOMMENDATION:
  - A - TOOL NO. M22520/1-01
  - B - POSITIONER M22520/1

6. WEIGHT: .0008 LBS. (.363 GR) MAX.

7. PART IS MARKED WITH COLOR STRIPES AS SHOWN OR WITH THE BIN CODE NO. IN ACCORDANCE WITH MIL-C-39029.

**If this document is printed it becomes uncontrolled.  
Check with the web for latest revision.**

SPECIFICATION CONTROL DRAWING © Raychem Corporation 1985

UNLESS OTHERWISE SPECIFIED DIMENSIONS ARE IN INCHES. METRIC DIMENSIONS ARE IN BRACKETS.	DRAWN	H	Raychem RAYCHEM CORPORATION 300 CONSTITUTION DRIVE MENLO PARK, CALIFORNIA 94025		
	CHECKED	J.B.	TITLE		
	APPROVED	J.BLAIR	1-24-85	CONTACT, SOCKET, SIZE 16 MTCP SERIES	
	APPROVED	J.CAMERON	2-11-85		
DECIMALS	.XXX ± [ mm]		SIZE		
	.XX ± [ mm]		CODE IDENT. NO.		
ANGLES	.X ±		DWG. NO.		
WEIGHT	6 lbs [ g]		CTA-0078		
			REV		
			C		
			DO NOT SCALE THIS DRAWING		
			SHEET 1 OF 1		

SHEET 1  
CTA-0078

# Mouser Electronics

Authorized Distributor

Click to View Pricing, Inventory, Delivery & Lifecycle Information:

[TE Connectivity:](#)

[800383-000](#)