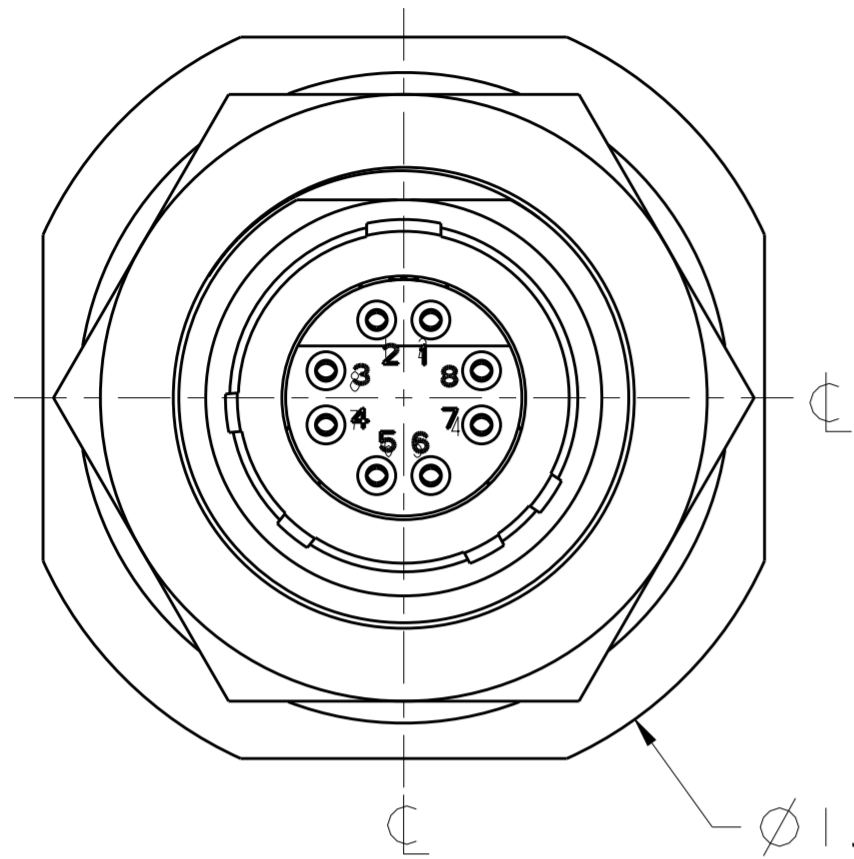


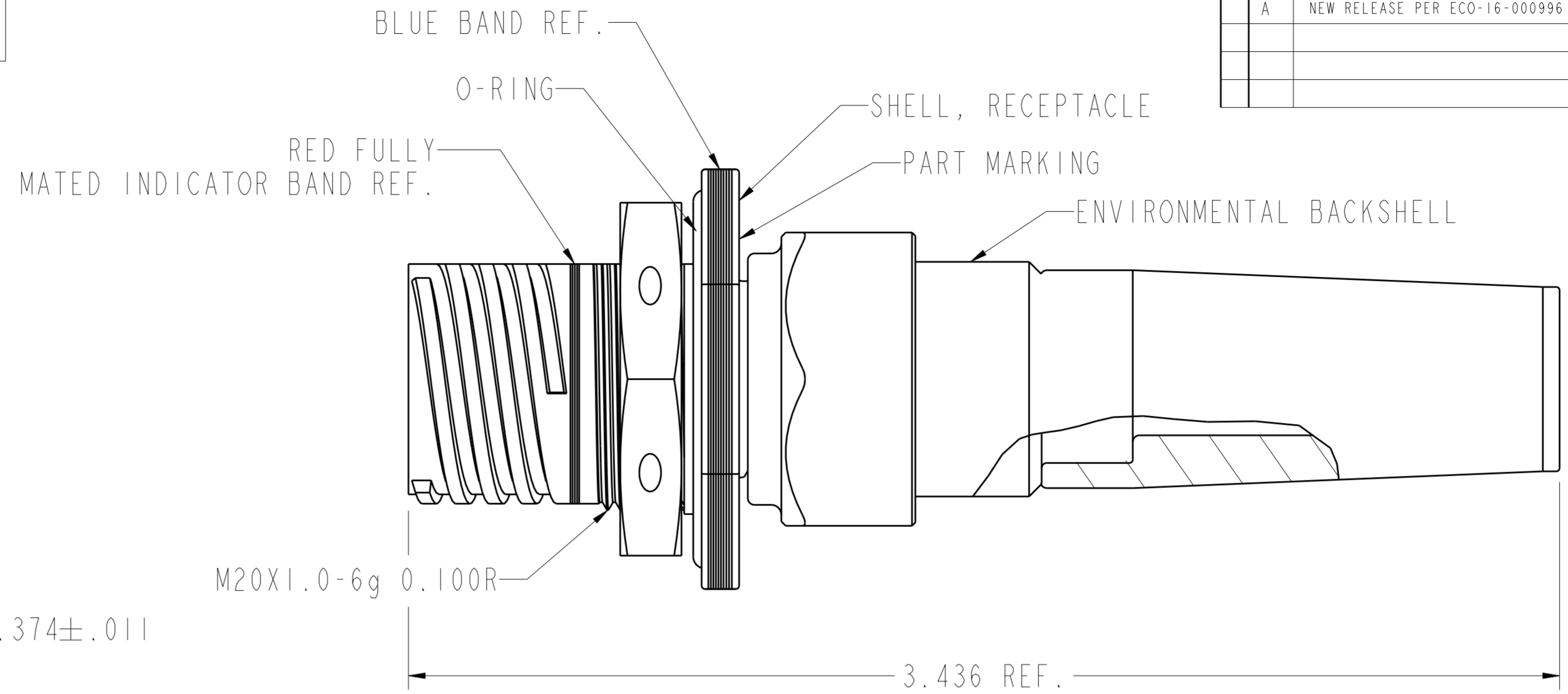
THIS DRAWING IS UNPUBLISHED. RELEASED FOR PUBLICATION 20  
 © COPYRIGHT 20 ALL RIGHTS RESERVED.

PROPERTY OF THE TE CONNECTIVITY  
 THIS INFORMATION IS CONFIDENTIAL AND PROPERTY TO TYCO ELECTRONICS CORPORATION  
 AND ITS WORLDWIDE SUBSIDIARIES AND AFFILIATES (TE). IT MAY NOT BE DISCLOSED TO  
 ANYONE, OTHER THAN TE PERSONNEL, WITHOUT AUTHORIZATION FROM TE (www.TE.com).

LOC		DIST		REVISIONS			
P	LTR	DESCRIPTION	DATE	DWN	APVD		
	A	NEW RELEASE PER ECO-16-000996	160122	JPF	JPF		



PIN INSERT MARKING SHOWN ABOVE



6. COMPOSITE WEIGHT WITHOUT MODULES AND CABLE: 0.0674 POUNDS.  
 METAL WEIGHT WITHOUT MODULES AND CABLE: 0.079 POUNDS.  
 PIN MODULE WEIGHT: .005 LBS.  
 SOCKET MODULE WEIGHT: .011 LBS.

5. MATES WITH CFX26x1108xxx.

△4. FINISH: SHELL/BACKSHELL - SEE TABLE.  
 CONTACTS - SEE PART NUMBER BREAKDOWN.

△3. MATERIAL: SHELL - SEE TABLE.  
 BACKSHELL/COUPLING RING - ALUMINUM ALLOY.  
 CONTACTS - COPPER ALLOY.  
 RESILIENT INSERTS/BACKSHELL GROMMET - SILICONE ELASTOMER.  
 PLASTIC INSERTS - THERMOPLASTIC.

2. FOR AVAILABILITY CONSULT FACTORY.

△1. ALL DIMENSIONS ARE IN INCHES UNLESS OTHERWISE SPECIFIED.

CFX24 (x)<sub>1</sub> 1108 (x)<sub>2</sub> Z (x)<sub>3</sub> xxx  
 MODIFICATION  
 KEYING POSITION:  
 N, A, B, C, D, E  
 CONTACT TERMINATION:  
 Z = CRIMPED CONTACT  
 A THROUGH Y = EXTENDED CONTACT  
 (SEE SHEET 2)  
 CONTACT FINISH:  
 P = PIN LOCALIZED GOLD FINISH  
 S = SOCKET LOCALIZED GOLD FINISH  
 F = PIN FULL GOLD FINISH  
 G = SOCKET FULL GOLD FINISH  
 H = PIN HI REL FINISH  
 J = SOCKET HI REL FINISH  
 A = LESS PIN CONTACT  
 B = LESS SOCKET CONTACT  
 SHELL SIZE/INSERT ARRANGEMENT  
 PLATING/SHELL MATERIAL:  
 SEE TABLE  
 BASIC IDENTIFIER

PART NUMBER (x) <sub>1</sub>	PLATING △4	SHELL MATERIAL △3
M	NICKEL	COMPOSITE
J	O.D. CAD	COMPOSITE
F	NICKEL	ALUMINUM
W	O.D. CAD	ALUMINUM
S	NICKEL	STAINLESS STEEL
T	TEFLON NICKEL	ALUMINUM
Z	BLACK ZINC NICKEL	ALUMINUM

SIZE 11	PART NUMBER (x) <sub>3</sub>	POS
	CFX24x1108xZN	N
	CFX24x1108xZA	A
	CFX24x1108xZB	B
	CFX24x1108xZC	C
	CFX24x1108xZD	D
	CFX24x1108xZE	E

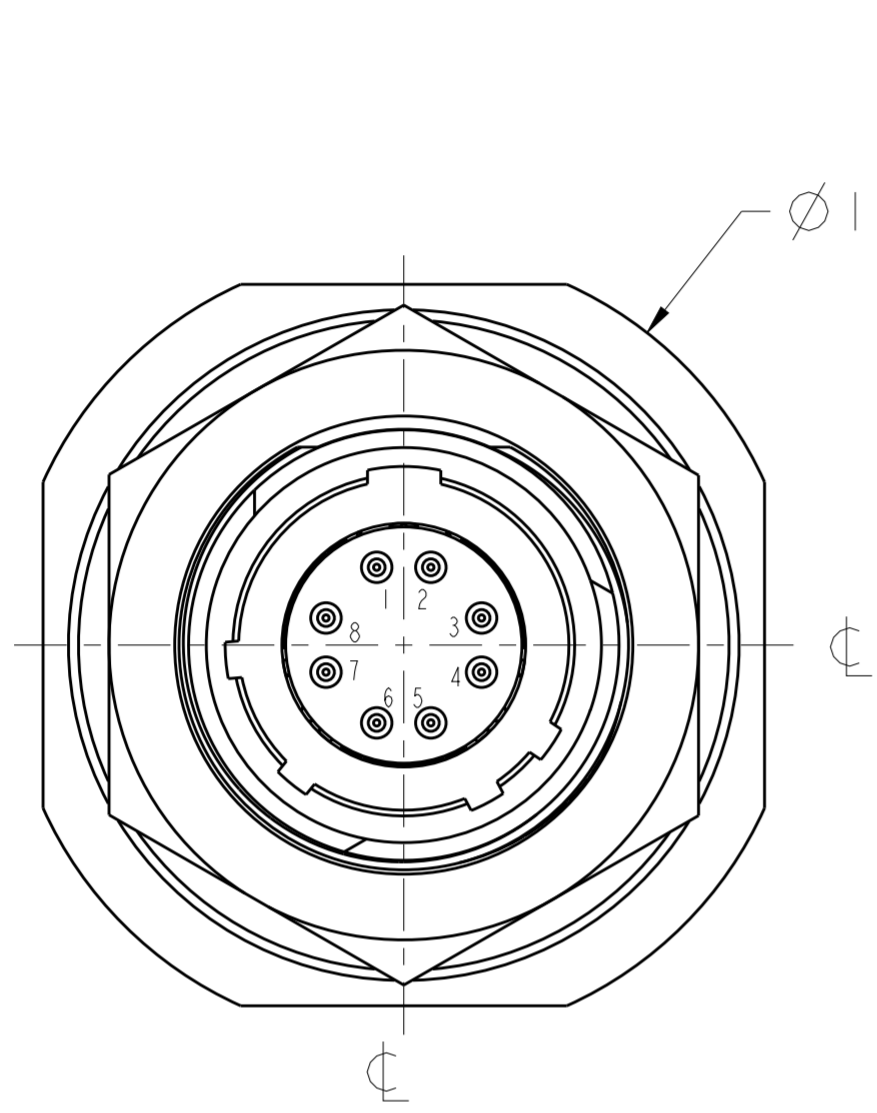
THIS DRAWING IS A CONTROLLED DOCUMENT.

DWN	JPF	140219	TE Connectivity
CHK	JPF	160122	
APVD	AR	160122	
PRODUCT SPEC			
APPLICATION SPEC			NAME
WEIGHT			CONNECTOR, RECEPTACLE JAM NUT MOUNTING, THREADED COUPLING, 1108 ARRANGEMENT
MATERIAL			SIZE
TOLERANCES UNLESS OTHERWISE SPECIFIED:			CAGE CODE
0 PLC	±1		DRAWING NO
1 PLC	±0.1		RESTRICTED TO
2 PLC	±0.01		A2
3 PLC	±0.005		11139
4 PLC	±0.0005		CFX24x1108xxx
ANGLES	±0.5		SCALE
FINISH			3.000
CUSTOMER DRAWING			SHEET 1 OF 2
			REV A

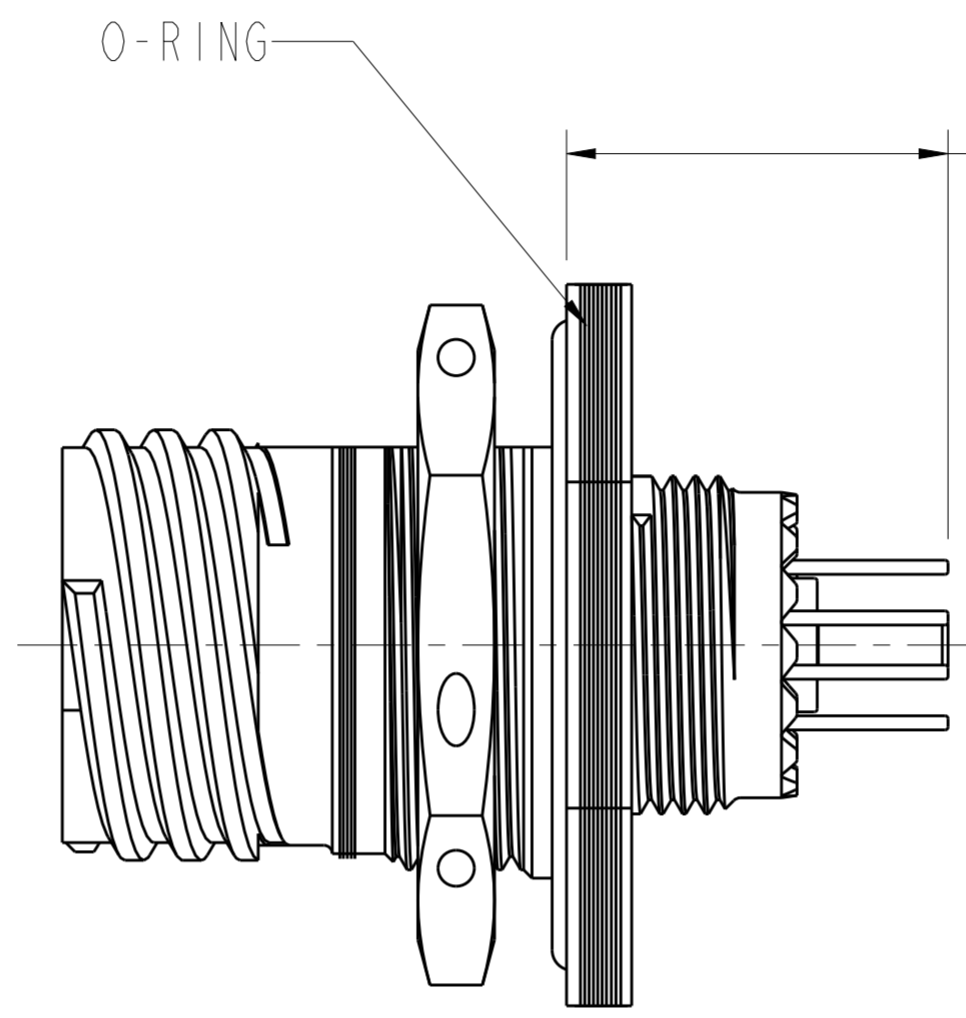
THIS DRAWING IS UNPUBLISHED. RELEASED FOR PUBLICATION 20  
 © COPYRIGHT 20 ALL RIGHTS RESERVED.

PROPERTY OF THE TE CONNECTIVITY  
 THIS INFORMATION IS CONFIDENTIAL AND PROPERTY TO TYCO ELECTRONICS CORPORATION  
 AND ITS WORLDWIDE SUBSIDIARIES AND AFFILIATES (TE). IT MAY NOT BE DISCLOSED TO  
 ANYONE, OTHER THAN TE PERSONNEL, WITHOUT AUTHORIZATION FROM TE (www.TE.com).

LOC		DIST		REVISIONS			
P	LTR	DESCRIPTION	DATE	DWN	APVD		
-	-	SEE SHEET 1	-	-	-		

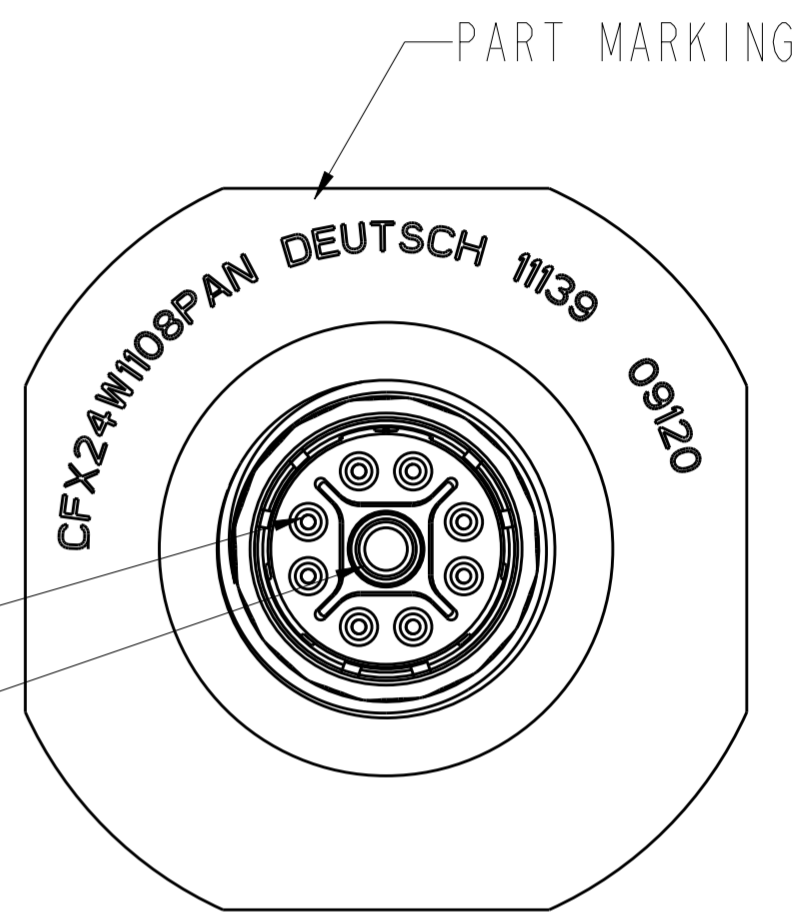


PIN INSERT MARKING SHOWN ABOVE



SHELL, RECEPTACLE WITH EXTENDED CONTACTS

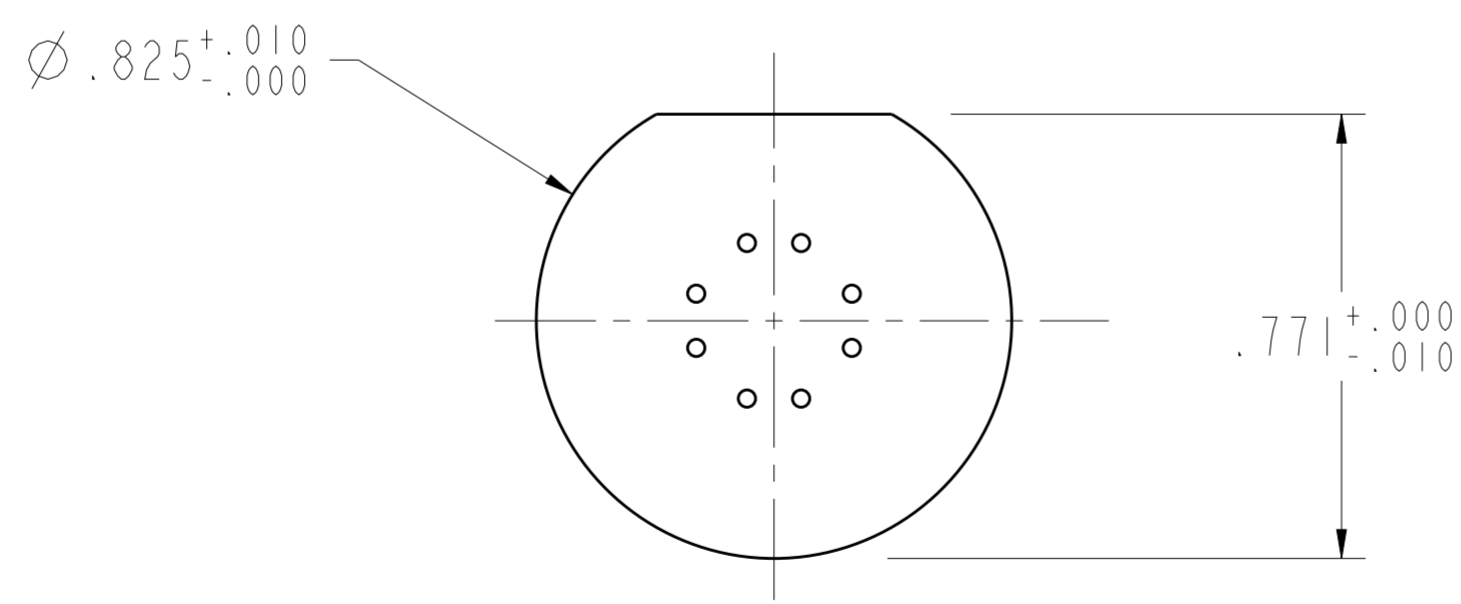
CONTACT LENGTH



PART MARKING

8X CONTACT ONE

CONTACT TWO



**JAM NUT MOUNTING**  
 PANEL THICKNESS: 0.062-0.126 in.  
 TORQUE: 40/45 inch-lbs

CONTACT CONFIGURATION IDENTIFIER	CONTACT LENGTH ±.025	CONTACT ONE DIAMETER ±.003	CONTACT TWO DIAMETER ±.003	PLATING
A	.662	.025	.095	GOLD OVER NICKEL
B	TBD			
C	TBD			
D	TBD			

THIS DRAWING IS A CONTROLLED DOCUMENT.		DWN JPF 140219	<b>STE</b> TE Connectivity	
DIMENSIONS: INCH		CHK JPF 160122		
TOLERANCES UNLESS OTHERWISE SPECIFIED:		APVD AR 160122	NAME CONNECTOR, RECEPTACLE JAM NUT MOUNTING, THREADED COUPLING, 1108 ARRANGEMENT	
0 PLC ±1	1 PLC ±0.1	PRODUCT SPEC -	SIZE A2	CAGE CODE 11139
2 PLC ±0.01	3 PLC ±0.005	APPLICATION SPEC -	DRAWING NO C-CFX24x1108xxx	RESTRICTED TO -
4 PLC ±0.0005	ANGLES ±0.5	WEIGHT -	SCALE 3.000	SHEET 2 OF 2
MATERIAL 3.	FINISH 4.	Customer Drawing	REV A	

# Mouser Electronics

Authorized Distributor

Click to View Pricing, Inventory, Delivery & Lifecycle Information:

[TE Connectivity:](#)

[YCFX24F1108SZN0000](#)