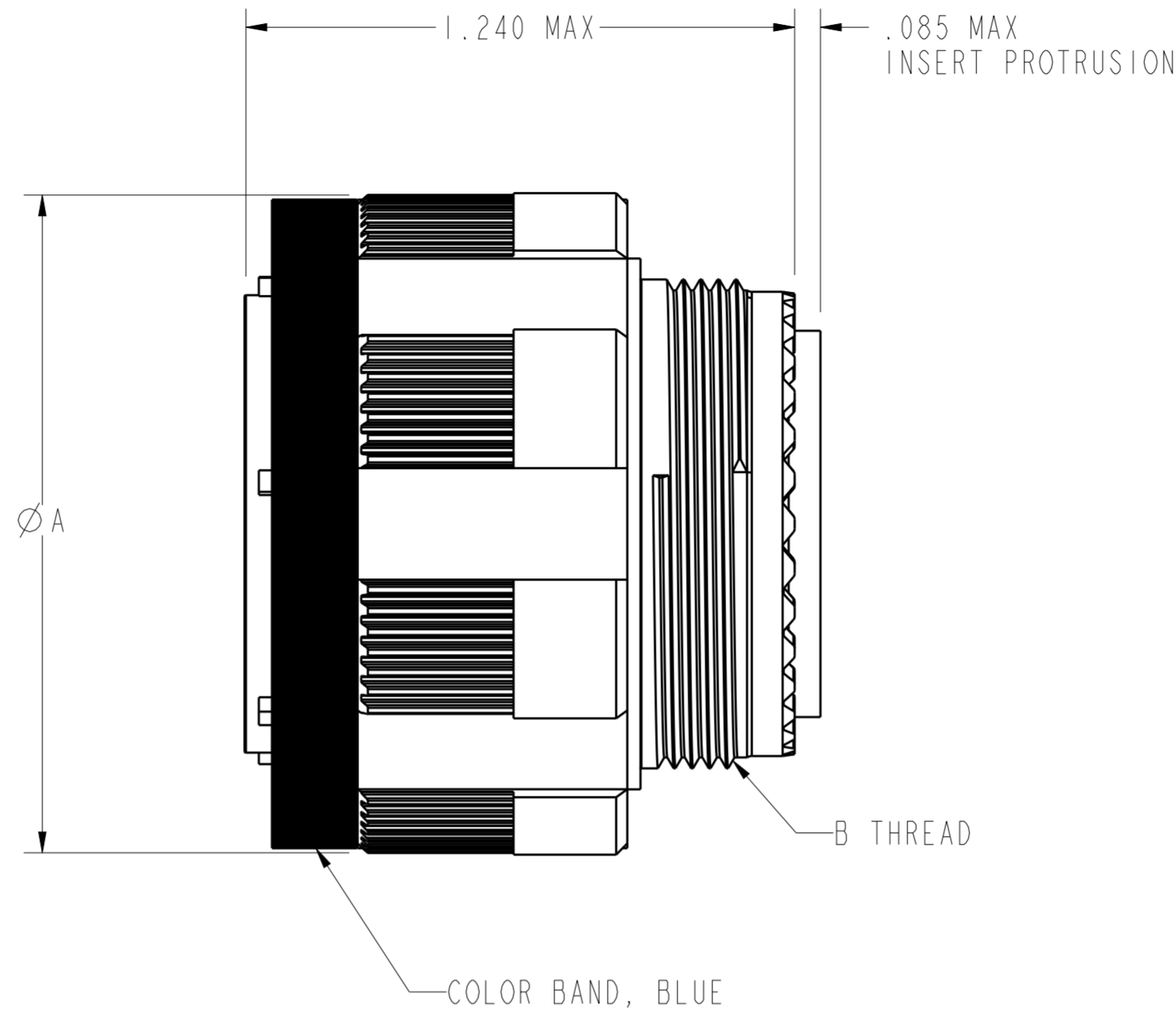
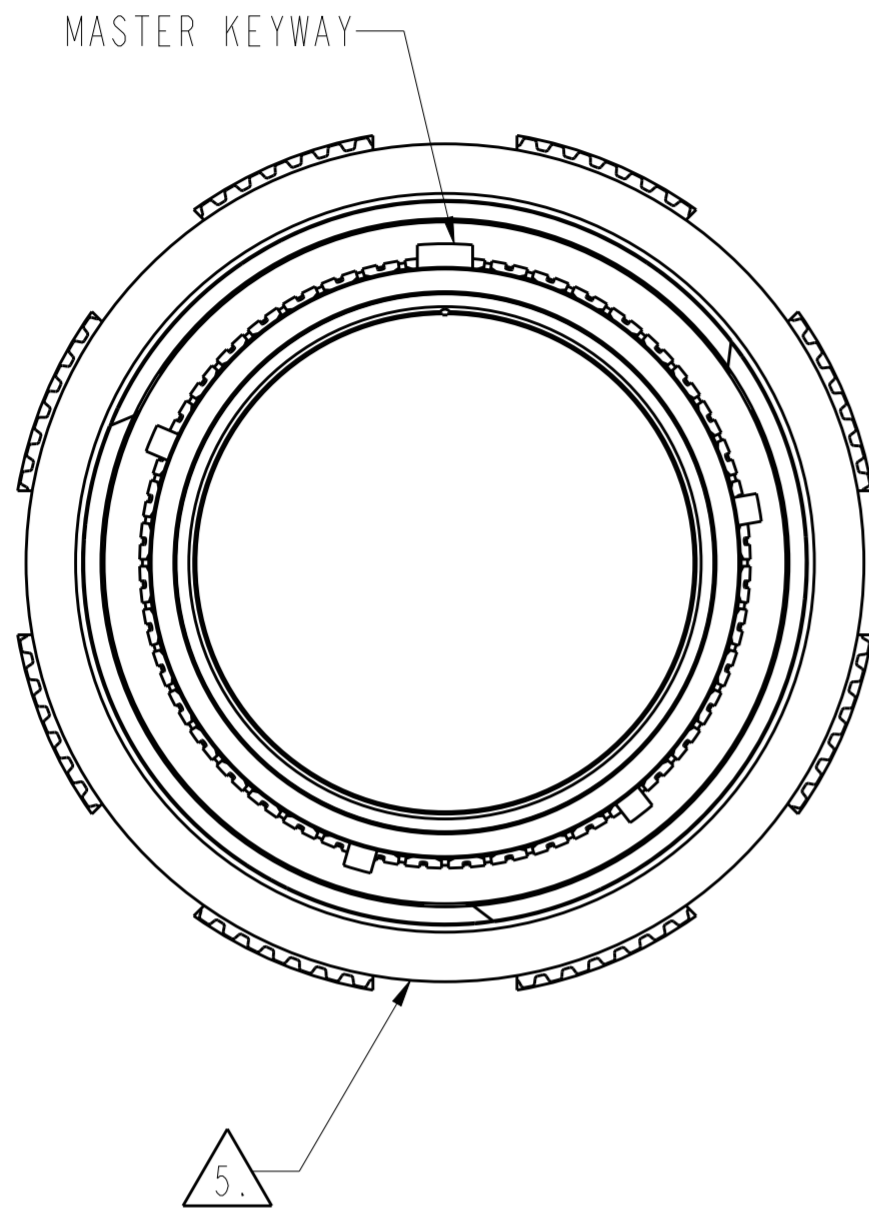


THIS DRAWING IS UNPUBLISHED. RELEASED FOR PUBLICATION 20
 © COPYRIGHT 20 BY - ALL RIGHTS RESERVED.

T.E. PROPRIETARY AND CONFIDENTIAL
 This drawing contains proprietary information that shall not be disclosed, duplicated nor used in whole or in part for any purpose other than to evaluate this drawing.

LOC		DIST		REVISIONS			
P	LTR	DESCRIPTION	DATE	DWN	APVD		
-	-	A	INITIAL RELEASE	180118	PF	AR	



ACT 26 X X XX X X

KEYING POSITION

CONTACT CODE
 P = 500 CYCLE PIN
 S = 500 CYCLE SOCKET
 A = LESS PIN
 B = LESS SOCKET
 H = 1500 CYCLE PIN
 J = 1500 CYCLE SOCKET

INSERT ARRANGEMENT

SHELL SIZE

FINISH
 J = OLIVE DRAB CADMIUM
 M = NICKEL

STRAIGHT PLUG

GENERAL IDENTIFIER
 ACT = ALL COMPOSITE TECHNOLOGY

PART NUMBER	SHELL SIZE	Ø A MAX.	B THREAD
ACT26xAxxxx	09	.858	M12x1.0-6g 0.100R
ACT26xBxxxx	11	.984	M15x1.0-6g 0.100R
ACT26xCxxxx	13	1.157	M18x1.0-6g 0.100R
ACT26xDxxxx	15	1.280	M22x1.0-6g 0.100R
ACT26xExxxx	17	1.406	M25x1.0-6g 0.100R
ACT26xFxxxx	19	1.516	M28x1.0-6g 0.100R
ACT26xGxxxx	21	1.642	M31x1.0-6g 0.100R
ACT26xHxxxx	23	1.768	M34x1.0-6g 0.100R
ACT26xJxxxx	25	1.890	M37x1.0-6g 0.100R

5. FOUR FLATS FOR SHELL SIZES A - E.
 EIGHT FLATS FOR SHELL SIZES F - J.

4. FOR APPLICABLE KEYING DIAGRAM, SEE MIL-DTL-38999.
 FOR INSERT ARRANGEMENTS, SEE MIL-STD-1560. CONSULT
 FACTORY FOR AVAILABILITY.

3. GENERAL SPECIFICATIONS: THIS CONNECTOR MEETS THE
 INTERMATEABILITY REQUIREMENTS OF MIL-DTL-38999 SERIES III.

2. MATERIAL/FINISH
 SHELL - COMPOSITE, PLATED.
 COUPLING RING - COMPOSITE, UNPLATED.
 CONTACTS - COPPER ALLOY, DEUTSCHCOAT V (H/J) OR GOLD (P/S).
 RESILIENT INSERTS - SILICONE ELASTOMER.
 PLASTIC INSERTS - THERMOPLASTIC.

1. ALL DIMENSIONS ARE IN INCHES UNLESS OTHERWISE SPECIFIED.
 THREAD CALLOUT IS METRIC.

THIS DRAWING IS A CONTROLLED DOCUMENT.

DWN CRAIG BROWN 150102
 CHK EHAB ALAWNEH 150102
 APVD -

STE TE Connectivity

NAME ACT SERIES PLUG ENVELOPE

DIMENSIONS: INCH

TOLERANCES UNLESS OTHERWISE SPECIFIED:
 0 PLC ±
 1 PLC ±0.1
 2 PLC ±0.01
 3 PLC ±0.005
 4 PLC ±0.0001
 ANGLES ±
 FINISH

PRODUCT SPEC -
 APPLICATION SPEC -
 WEIGHT -

SIZE A2 CAGE CODE - DRAWING NO. ACT26xxxxxx RESTRICTED TO -
 SCALE 3.000 SHEET 1 OF 1 REV A

CUSTOMER DRAWING

Mouser Electronics

Authorized Distributor

Click to View Pricing, Inventory, Delivery & Lifecycle Information:

[TE Connectivity:](#)

[YACT26JJ61HB-61490](#)