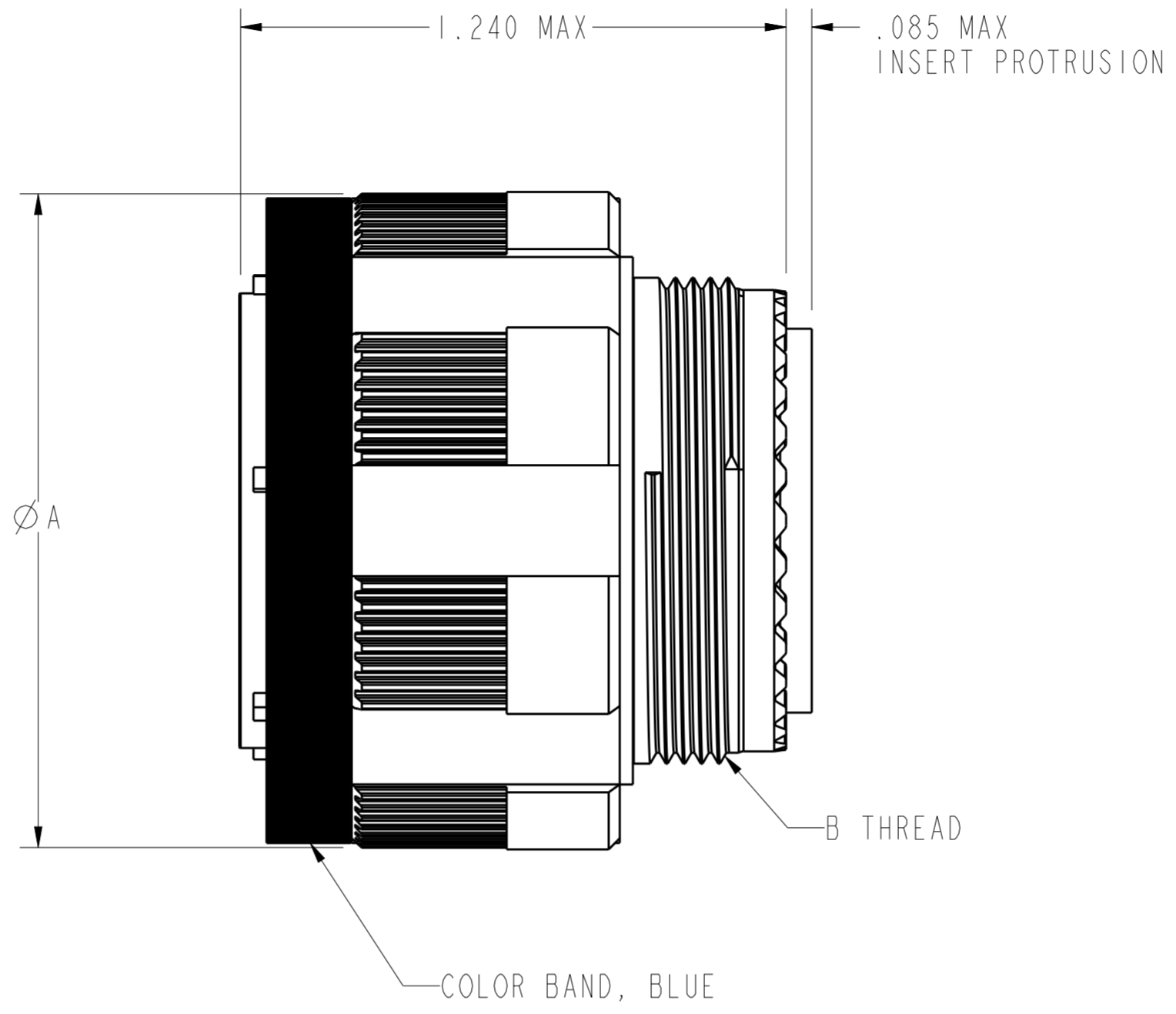
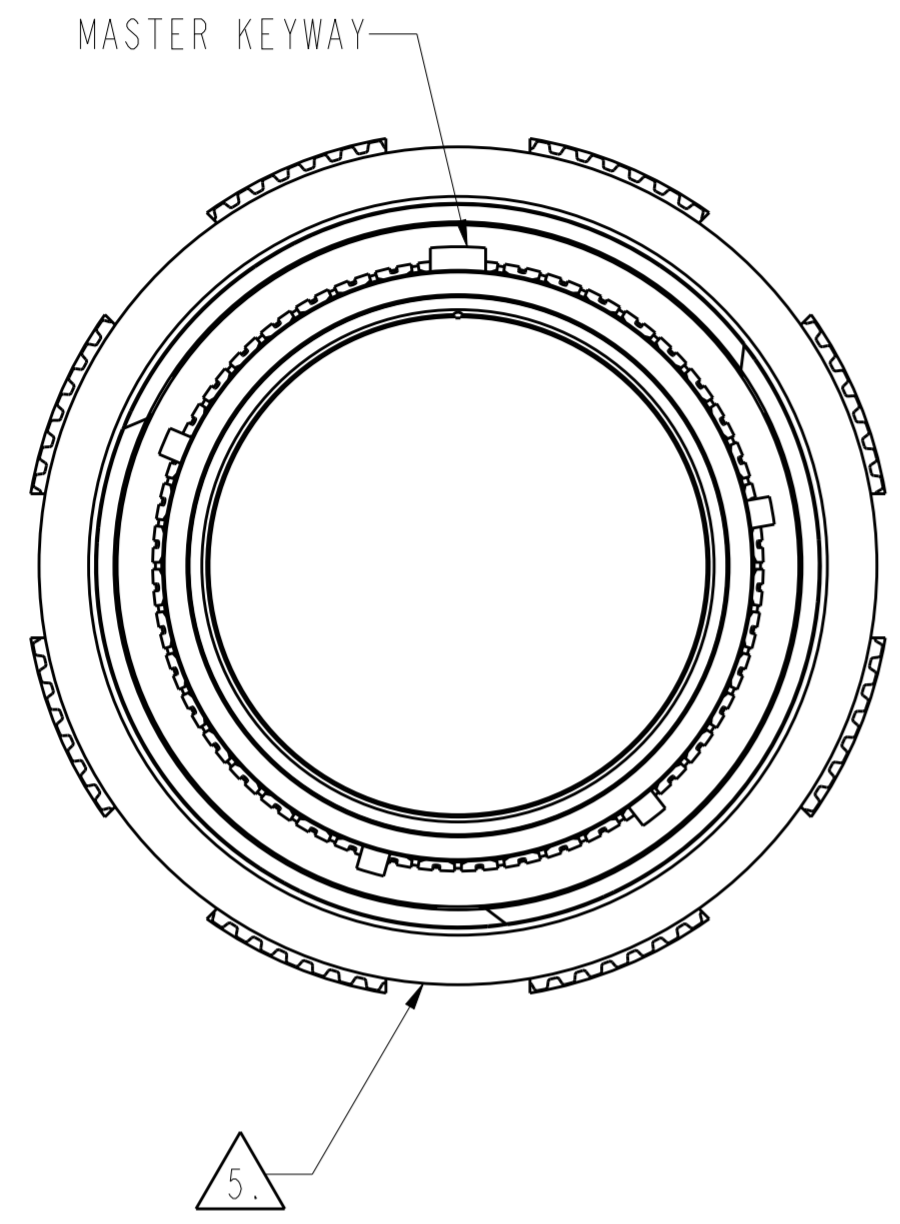


THIS DRAWING IS UNPUBLISHED. RELEASED FOR PUBLICATION 20  
 © COPYRIGHT 20 BY - ALL RIGHTS RESERVED.

**T.E. PROPRIETARY AND CONFIDENTIAL**  
 This drawing contains proprietary information that shall not be disclosed, duplicated nor used in whole or in part for any purpose other than to evaluate this drawing.

LOC		DIST		REVISIONS			
P	LTR	DESCRIPTION	DATE	DWN	APVD		
	A	INITIAL RELEASE	180118	PF	AR		



ACT 26 X X XX X X

KEYING POSITION

CONTACT CODE  
 P = 500 CYCLE PIN  
 S = 500 CYCLE SOCKET  
 A = LESS PIN  
 B = LESS SOCKET  
 H = 1500 CYCLE PIN  
 J = 1500 CYCLE SOCKET

INSERT ARRANGEMENT

SHELL SIZE

FINISH  
 J = OLIVE DRAB CADMIUM  
 M = NICKEL

STRAIGHT PLUG

GENERAL IDENTIFIER  
 ACT = ALL COMPOSITE TECHNOLOGY

PART NUMBER	SHELL SIZE	Ø A MAX.	B THREAD
ACT26xAxxxx	09	.858	M12x1.0-6g 0.100R
ACT26xBxxxx	11	.984	M15x1.0-6g 0.100R
ACT26xCxxxx	13	1.157	M18x1.0-6g 0.100R
ACT26xDxxxx	15	1.280	M22x1.0-6g 0.100R
ACT26xExxxx	17	1.406	M25x1.0-6g 0.100R
ACT26xFxxxx	19	1.516	M28x1.0-6g 0.100R
ACT26xGxxxx	21	1.642	M31x1.0-6g 0.100R
ACT26xHxxxx	23	1.768	M34x1.0-6g 0.100R
ACT26xJxxxx	25	1.890	M37x1.0-6g 0.100R

5. FOUR FLATS FOR SHELL SIZES A - E.  
 EIGHT FLATS FOR SHELL SIZES F - J.
4. FOR APPLICABLE KEYING DIAGRAM, SEE MIL-DTL-38999.  
 FOR INSERT ARRANGEMENTS, SEE MIL-STD-1560. CONSULT  
 FACTORY FOR AVAILABILITY.
3. GENERAL SPECIFICATIONS: THIS CONNECTOR MEETS THE  
 INTERMATEABILITY REQUIREMENTS OF MIL-DTL-38999 SERIES III.
2. MATERIAL/FINISH  
 SHELL - COMPOSITE, PLATED.  
 COUPLING RING - COMPOSITE, UNPLATED.  
 CONTACTS - COPPER ALLOY, DEUTSCHCOAT V (H/J) OR GOLD (P/S).  
 RESILIENT INSERTS - SILICONE ELASTOMER.  
 PLASTIC INSERTS - THERMOPLASTIC.

1. ALL DIMENSIONS ARE IN INCHES UNLESS OTHERWISE SPECIFIED.  
 THREAD CALLOUT IS METRIC.

THIS DRAWING IS A CONTROLLED DOCUMENT.

DWN CRAIG BROWN 150102  
 CHK EHAB ALAWNEH 150102  
 APVD -

STE TE Connectivity

NAME ACT SERIES PLUG ENVELOPE

DIMENSIONS: INCH

TOLERANCES UNLESS OTHERWISE SPECIFIED:  
 0 PLC ±  
 1 PLC ±0.1  
 2 PLC ±0.01  
 3 PLC ±0.005  
 4 PLC ±0.0001  
 ANGLES ±  
 FINISH

PRODUCT SPEC -  
 APPLICATION SPEC -  
 WEIGHT -

SIZE A2 CAGE CODE - DRAWING NO. ACT26xxxxxx RESTRICTED TO -  
 SCALE 3.000 SHEET 1 OF 1 REV A

CUSTOMER DRAWING

# Mouser Electronics

Authorized Distributor

Click to View Pricing, Inventory, Delivery & Lifecycle Information:

[TE Connectivity:](#)

[YACT26JH53HC000000](#)