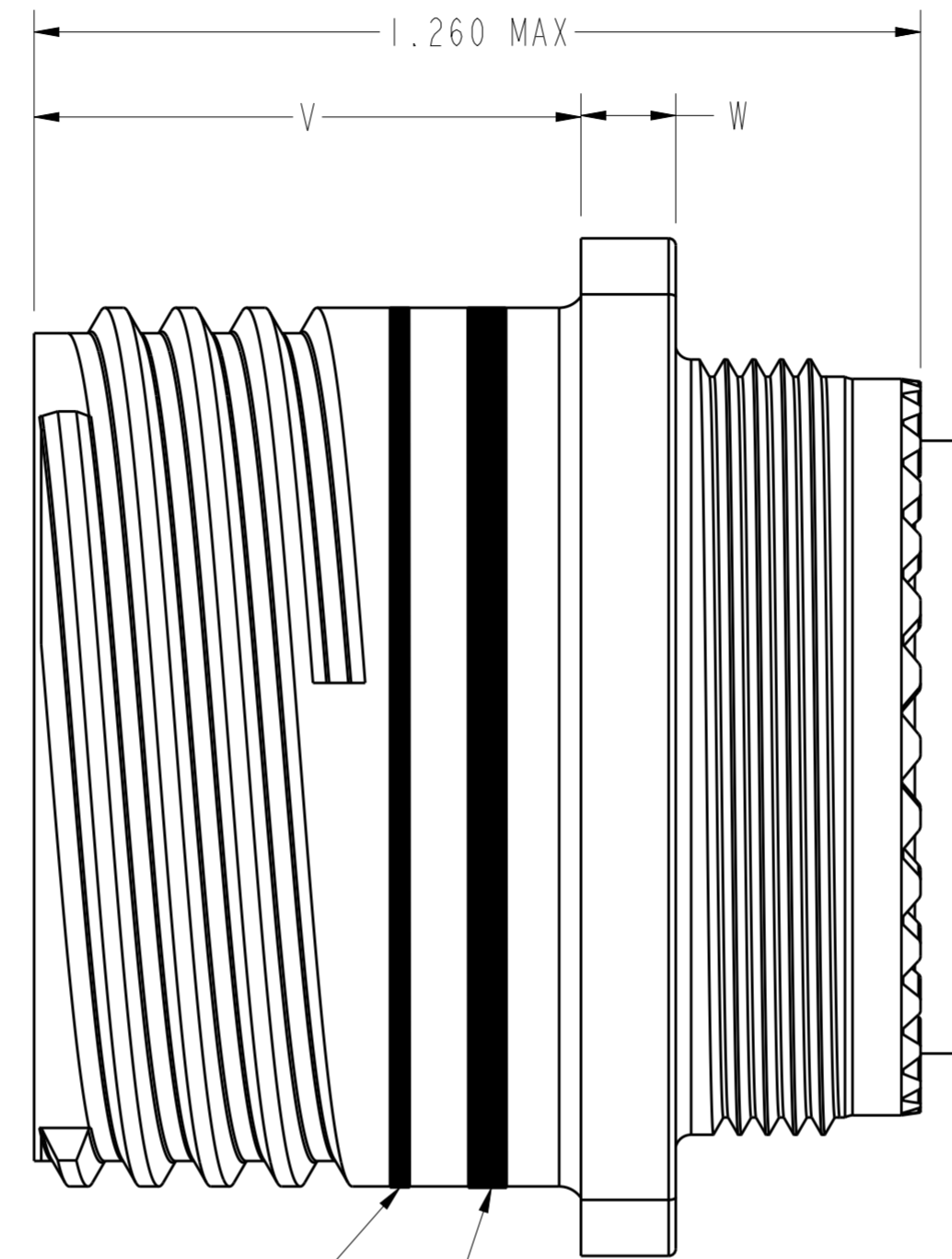
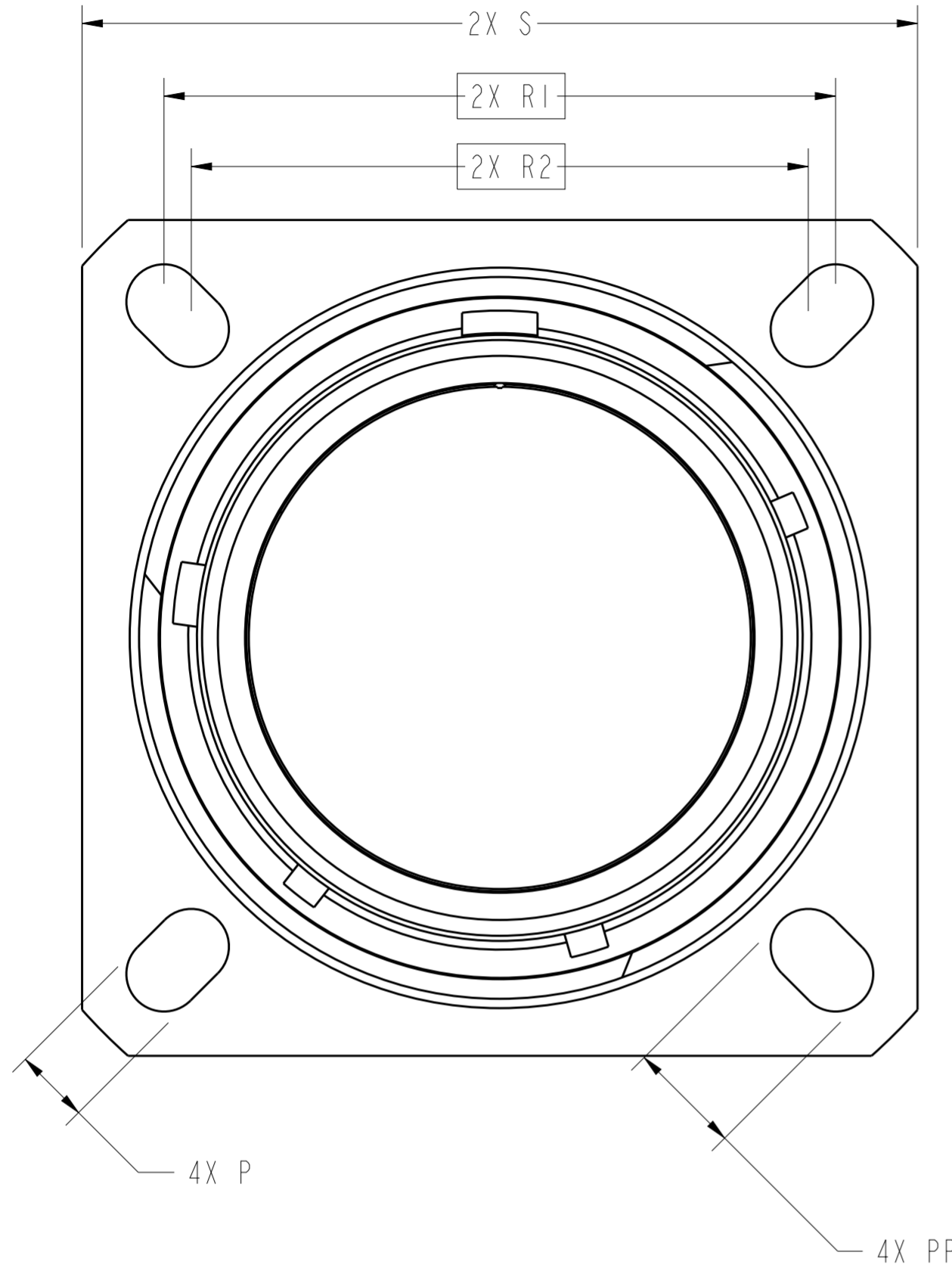


THIS DRAWING IS UNPUBLISHED. RELEASED FOR PUBLICATION 20  
 © COPYRIGHT 20 BY - ALL RIGHTS RESERVED.

**T.E. PROPRIETARY AND CONFIDENTIAL**  
 This drawing contains proprietary information that shall not be disclosed, duplicated nor used in whole or in part for any purpose other than to evaluate this drawing.

| LOC |     | DIST        |                 | REVISIONS |      |    |  |
|-----|-----|-------------|-----------------|-----------|------|----|--|
| P   | LTR | DESCRIPTION | DATE            | DWN       | APVD |    |  |
| -   | -   | A           | INITIAL RELEASE | 180118    | PF   | AR |  |



ACT 20 X X XX X X

KEYING POSITION  
 CONTACT CODE  
 P = 500 CYCLE PIN  
 S = 500 CYCLE SOCKET  
 A = LESS PIN  
 B = LESS SOCKET  
 H = 1500 CYCLE PIN  
 J = 1500 CYCLE SOCKET

INSERT ARRANGEMENT  
 SHELL SIZE  
 FINISH  
 J = OLIVE DRAB CADMIUM  
 M = NICKEL

SQUARE FLANGE RECEPTACLE  
 GENERAL IDENTIFIER  
 ACT = ALL COMPOSITE TECHNOLOGY

INDICATOR BAND, RED  
 INDICATOR BAND, BLUE

| PART NUMBER | SHELL SIZE | D THREAD          | P ±.008 | PP ±.008 | R1    | R2    | S ±.012 | V +.055<br>-.000 | W         |
|-------------|------------|-------------------|---------|----------|-------|-------|---------|------------------|-----------|
| ACT20xAxxxx | 09         | M12x1.0-6g 0.100R | .128    | .216     | .719  | .594  | .937    | .768             | .083/.144 |
| ACT20xBxxxx | 11         | M15x1.0-6g 0.100R | .128    | .194     | .812  | .719  | 1.032   | .768             | .083/.144 |
| ACT20xCxxxx | 13         | M18x1.0-6g 0.100R | .128    | .194     | .906  | .812  | 1.126   | .768             | .083/.144 |
| ACT20xDxxxx | 15         | M22x1.0-6g 0.100R | .128    | .173     | .969  | .906  | 1.221   | .768             | .083/.144 |
| ACT20xExxxx | 17         | M25x1.0-6g 0.100R | .128    | .194     | 1.062 | .969  | 1.311   | .768             | .083/.144 |
| ACT20xFxxxx | 19         | M28x1.0-6g 0.100R | .128    | .194     | 1.156 | 1.062 | 1.437   | .768             | .083/.144 |
| ACT20xGxxxx | 21         | M31x1.0-6g 0.100R | .128    | .194     | 1.250 | 1.156 | 1.563   | .736             | .083/.171 |
| ACT20xHxxxx | 23         | M34x1.0-6g 0.100R | .154    | .242     | 1.375 | 1.250 | 1.689   | .736             | .083/.171 |
| ACT20xJxxxx | 25         | M37x1.0-6g 0.100R | .154    | .242     | 1.500 | 1.375 | 1.811   | .736             | .083/.171 |

- FOR APPLICABLE KEYING DIAGRAM, SEE MIL-DTL-38999. FOR INSERT ARRANGEMENTS, SEE MIL-STD-1560. CONSULT FACTORY FOR AVAILABILITY.
- GENERAL SPECIFICATIONS: THIS CONNECTOR MEETS THE INTERMATEABILITY REQUIREMENTS OF MIL-DTL-38999 SERIES III.
- MATERIAL/FINISH  
 SHELL - COMPOSITE, PLATED.  
 CONTACTS - COPPER ALLOY, DEUTSCHCOAT V (H/J) OR GOLD (P/S).  
 RESILIENT INSERTS - SILICONE ELASTOMER.  
 PLASTIC INSERTS - THERMOPLASTIC.

1. ALL DIMENSIONS ARE IN INCHES UNLESS OTHERWISE SPECIFIED.  
 THREAD CALLOUT IS METRIC.

THIS DRAWING IS A CONTROLLED DOCUMENT.

DWN CRAIG BROWN 150102  
 CHK EHAB ALAWNEH 150102

APVD -

NAME ACT SERIES SQUARE FLANGE ENVELOPE

PRODUCT SPEC -  
 APPLICATION SPEC -  
 WEIGHT -

SIZE A2 CAGE CODE 11139 DRAWING NO. ACT20xxxxxx RESTRICTED TO -

CUSTOMER DRAWING SCALE 4.000 SHEET 1 OF 1 REV A

# Mouser Electronics

Authorized Distributor

Click to View Pricing, Inventory, Delivery & Lifecycle Information:

[TE Connectivity:](#)

[YACT20JE08PE-61490](#)