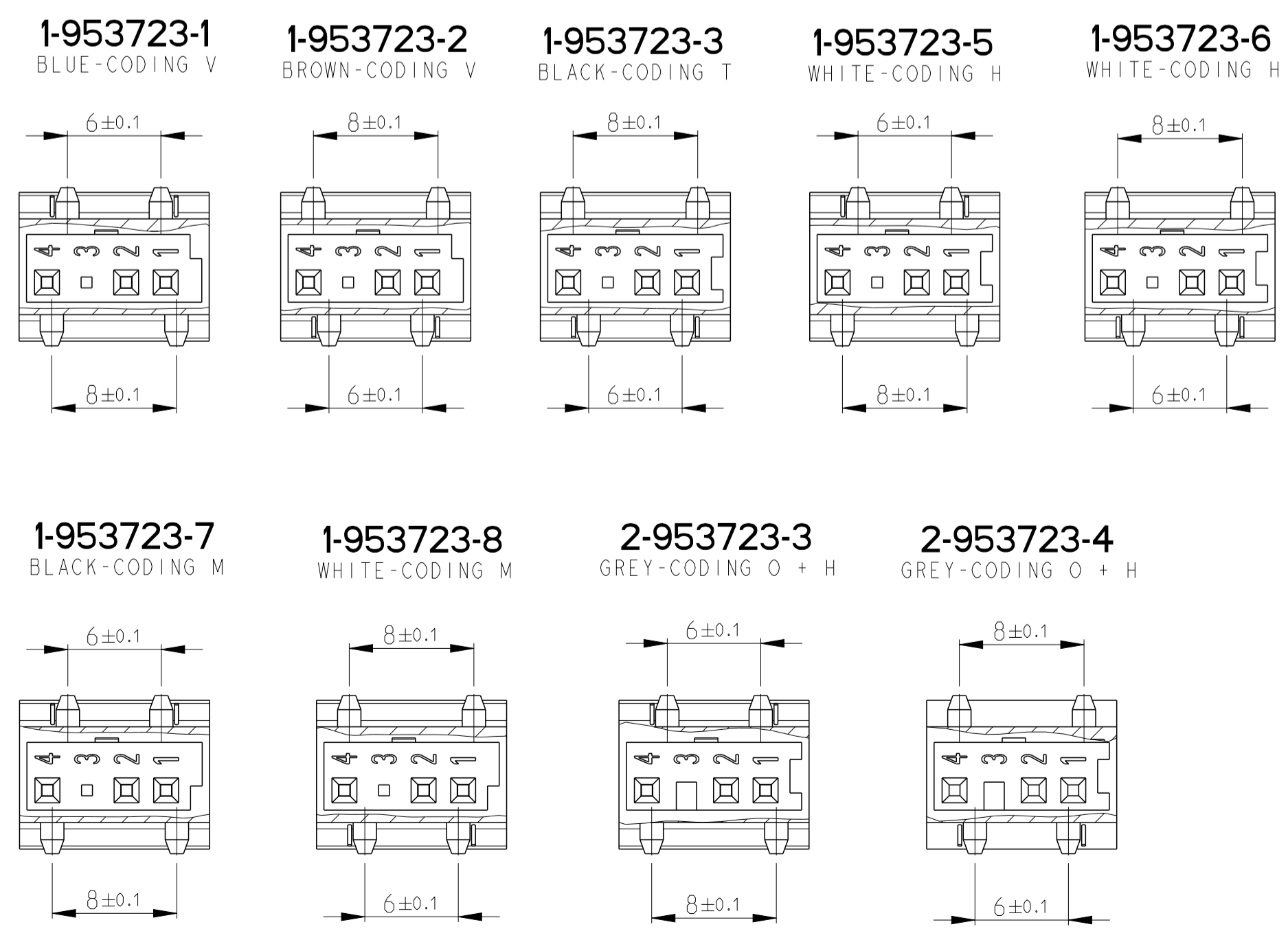
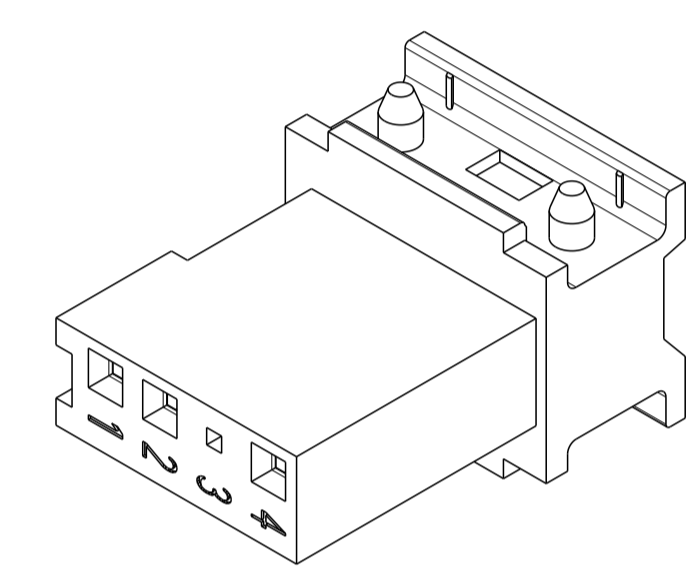
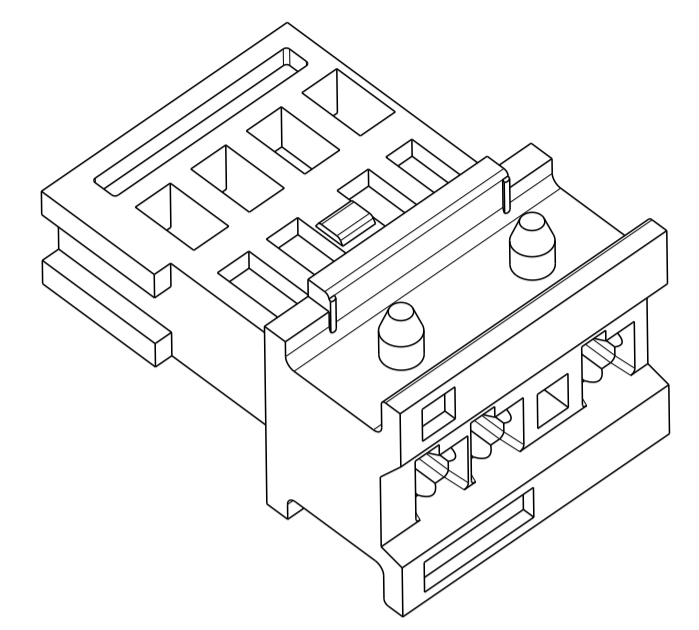
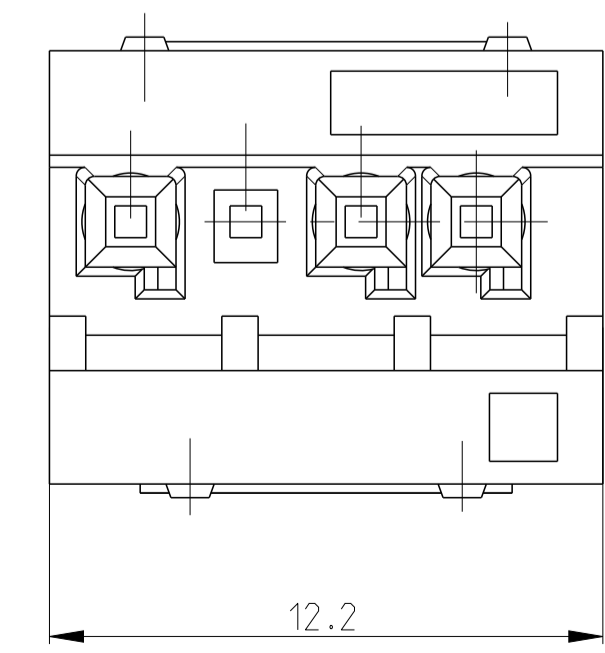
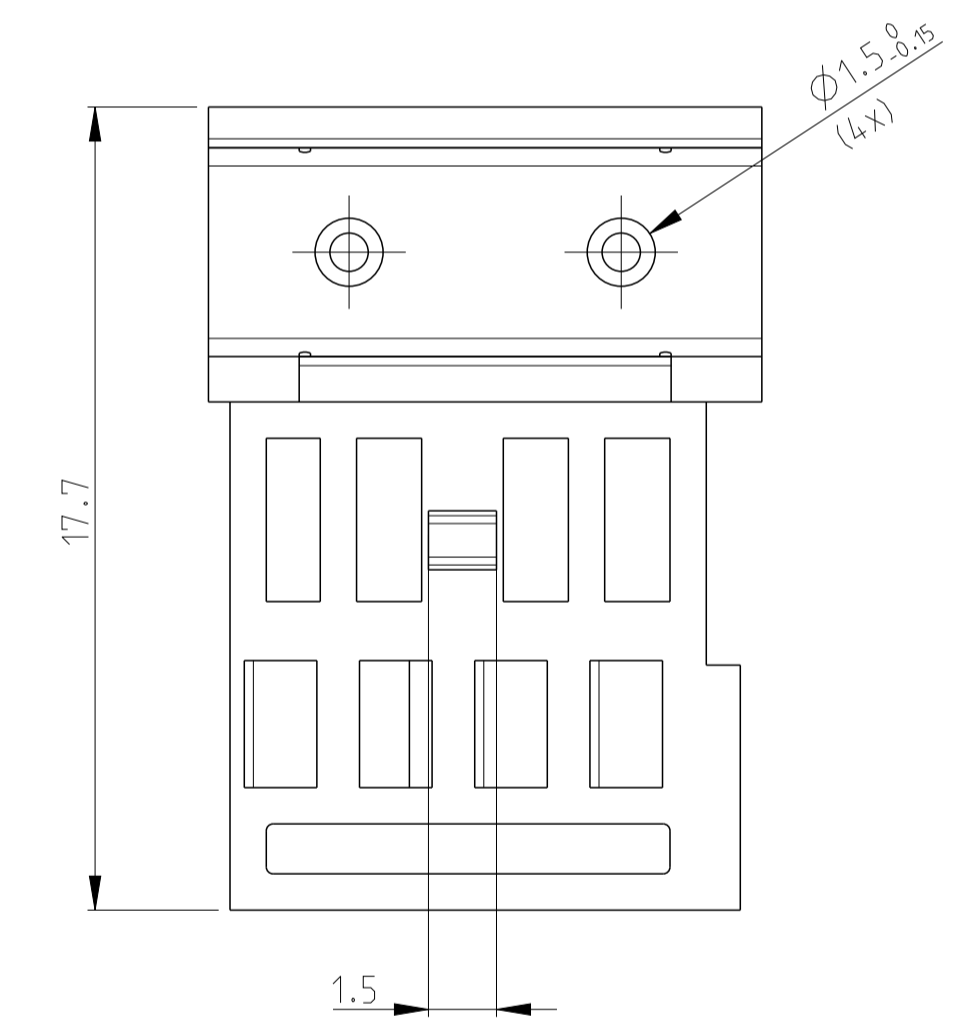
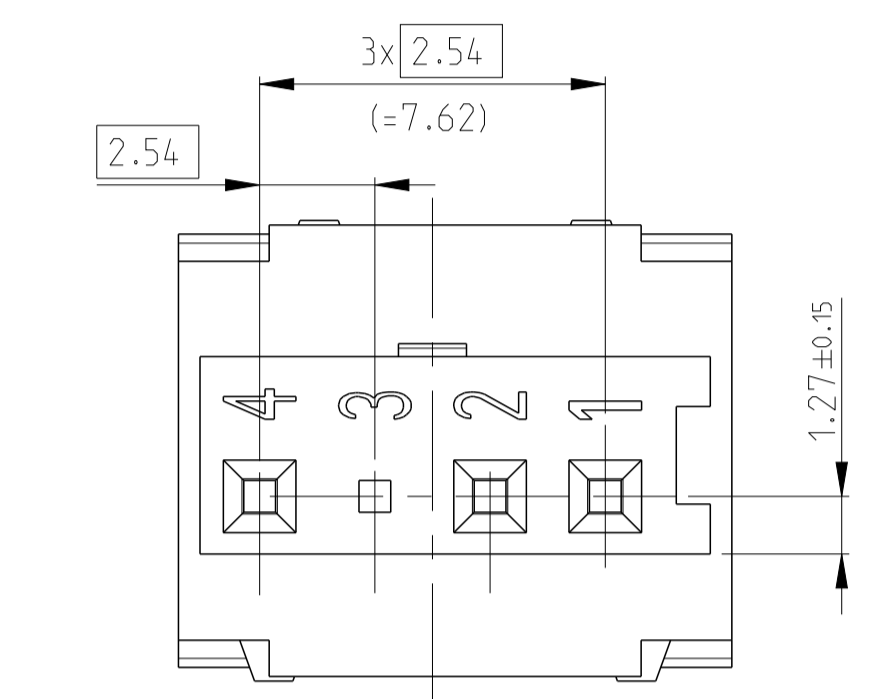
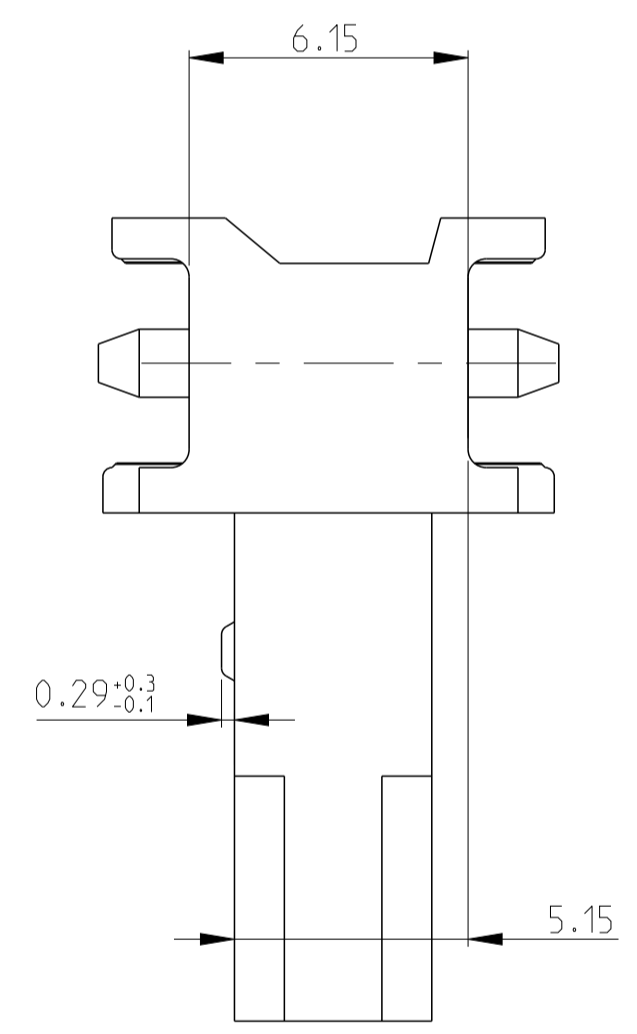
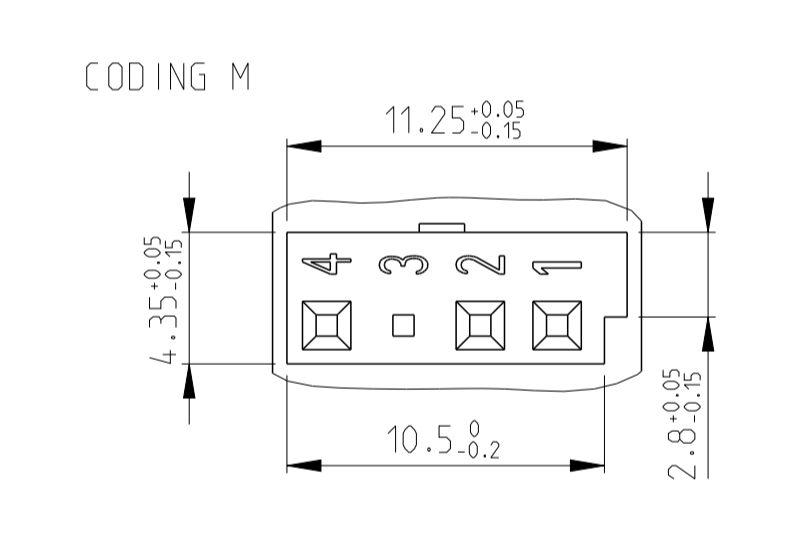
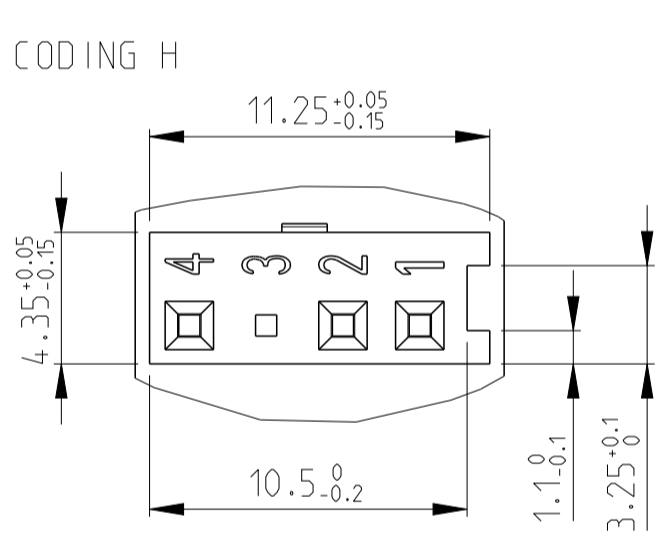
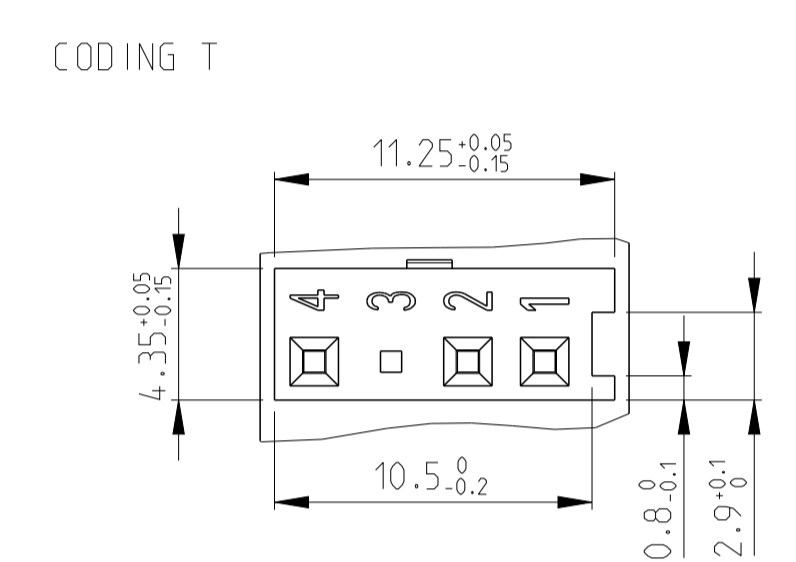
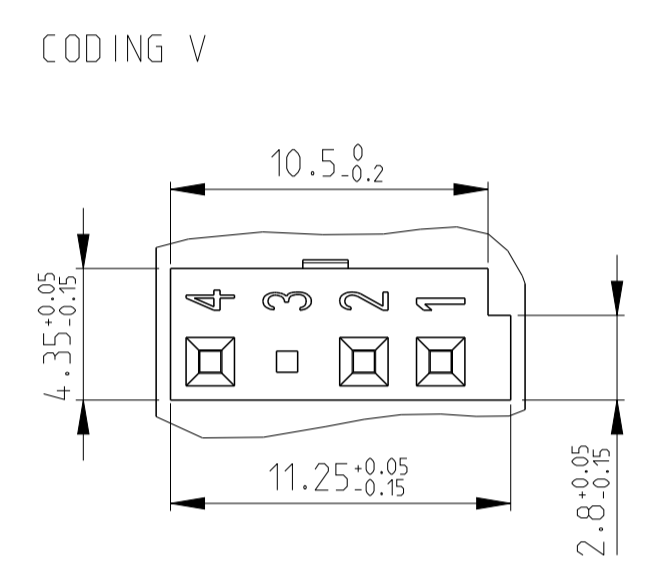
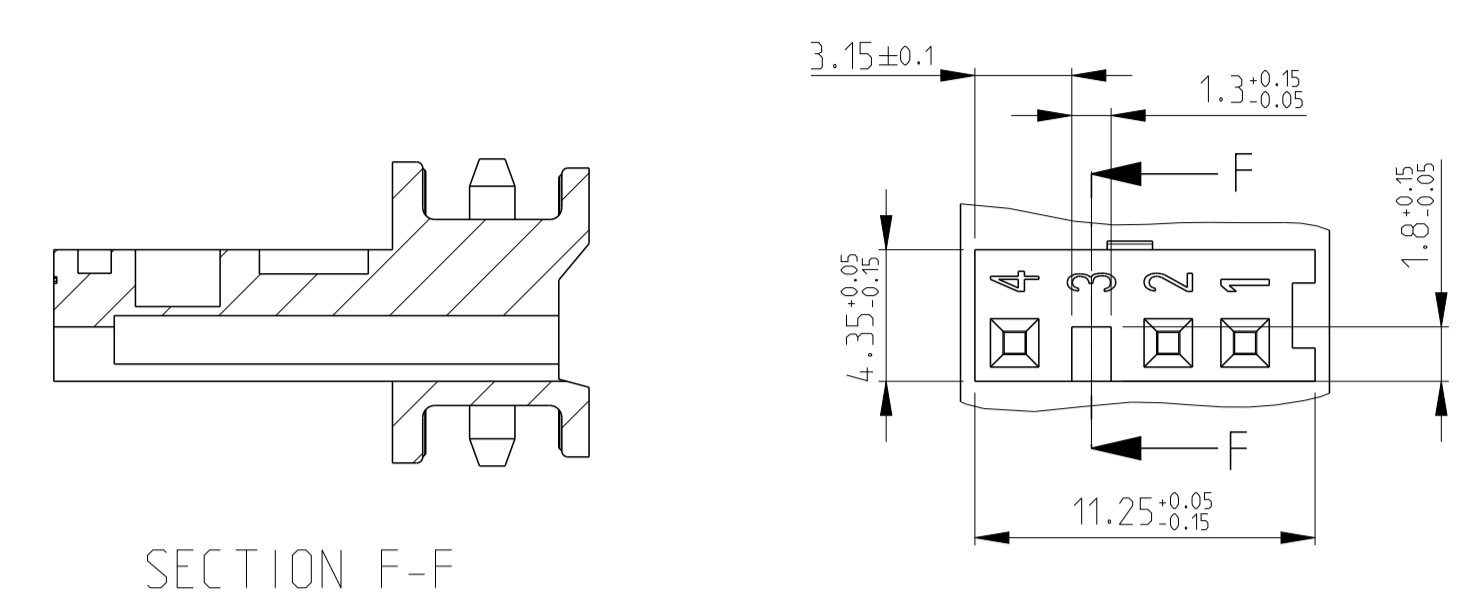


REVISIONS				
P.	LTN.	DESCRIPTION	DATE	APPV.
C		ADDED PN 2-953723-3 AND 2-953723-4	06MAR2015	DB IS
C2		CHANGE CODING 0	23MAR2015	DB IS

CODING 0



	2-953723-4	GREY (Gris)	O + H	PBT 20% GLASS FIBER
	2-953723-3	GREY (Gris)	O + H	PBT 20% GLASS FIBER
	1-953723-8	WHITE (Blanc)	M	PBT 20% GLASS FIBER
	1-953723-7	BLACK (Noir)	M	PBT 20% GLASS FIBER
	1-953723-6	WHITE (Blanc)	H	PBT 20% GLASS FIBER
	1-953723-5	WHITE (Blanc)	H	PBT 20% GLASS FIBER
	1-953723-3	BLACK (Noir)	T	PBT 20% GLASS FIBER
	1-953723-2	BROWN (Marron)	V	PBT 20% GLASS FIBER
	1-953723-1	BLUE (Bleu)	V	PBT 20% GLASS FIBER
	PART NUMBER (Reference)	COLOR (Couleur)	CODING	MATERIAL (matiere)

THIS DRAWING IS A CONTROLLED DOCUMENT.		OWN: T. VERNIER 17SEP2009	TE Connectivity
DIMENSIONS: mm		CHK: E. MINY 17SEP2009	
TOLERANCES UNLESS OTHERWISE SPECIFIED:		APVD: D. DALINO 17SEP2009	NAME: MQS-SOCKET HOUSING, 4POS BOITIER MQS 4V
MATERIAL: -		PRODUCT SPEC: -	
FINISH: -		APPLICATION SPEC: -	SIZE: A1 CAGE CODE: 00779 DRAWING NO: C=953723
WEIGHT: 0.95		RESTRICTED TO: -	
CUSTOMER DRAWING		SCALE: 6:1	SHEET 1 OF 1

# Mouser Electronics

Authorized Distributor

Click to View Pricing, Inventory, Delivery & Lifecycle Information:

[TE Connectivity:](#)

[1-953723-1](#)