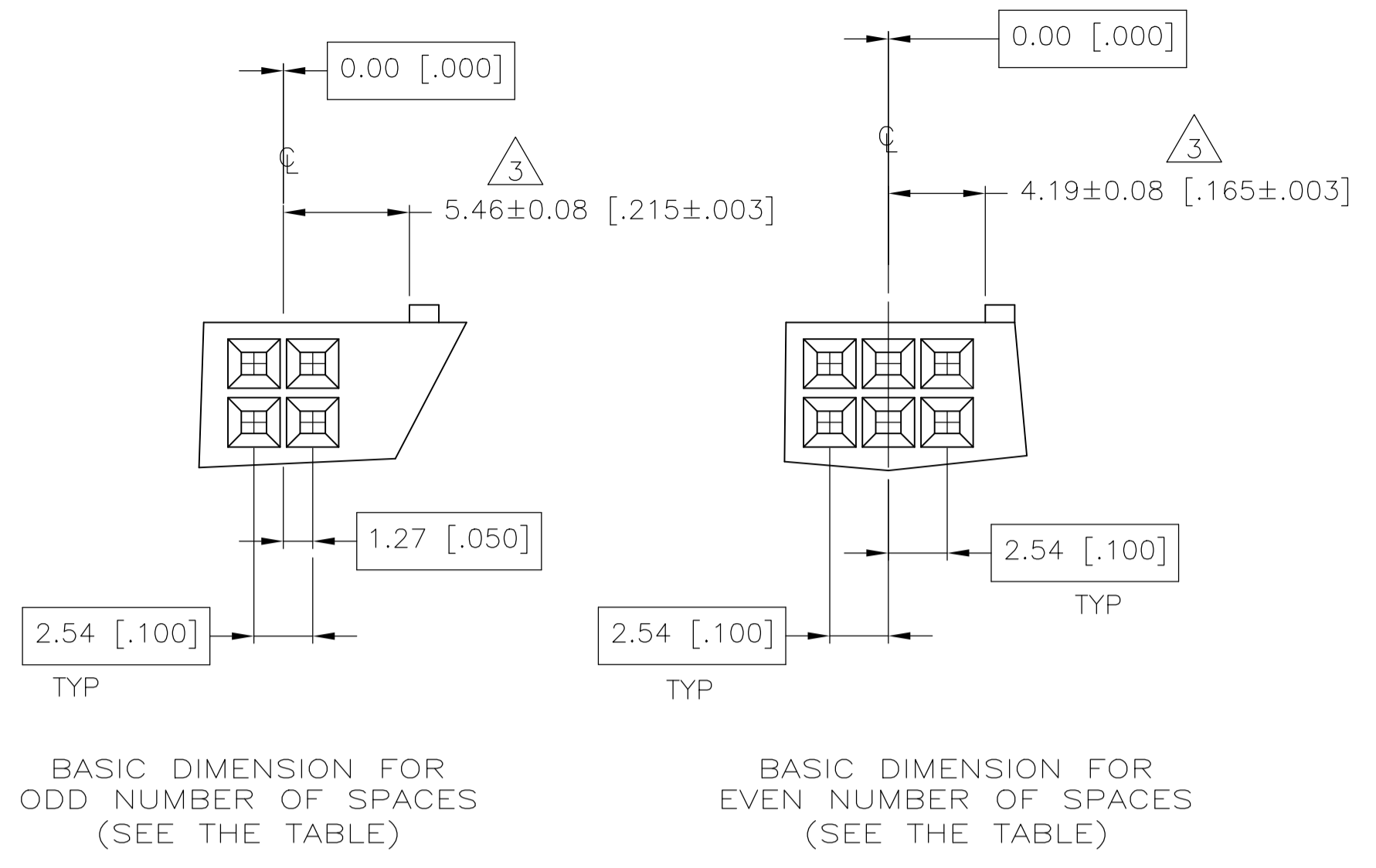
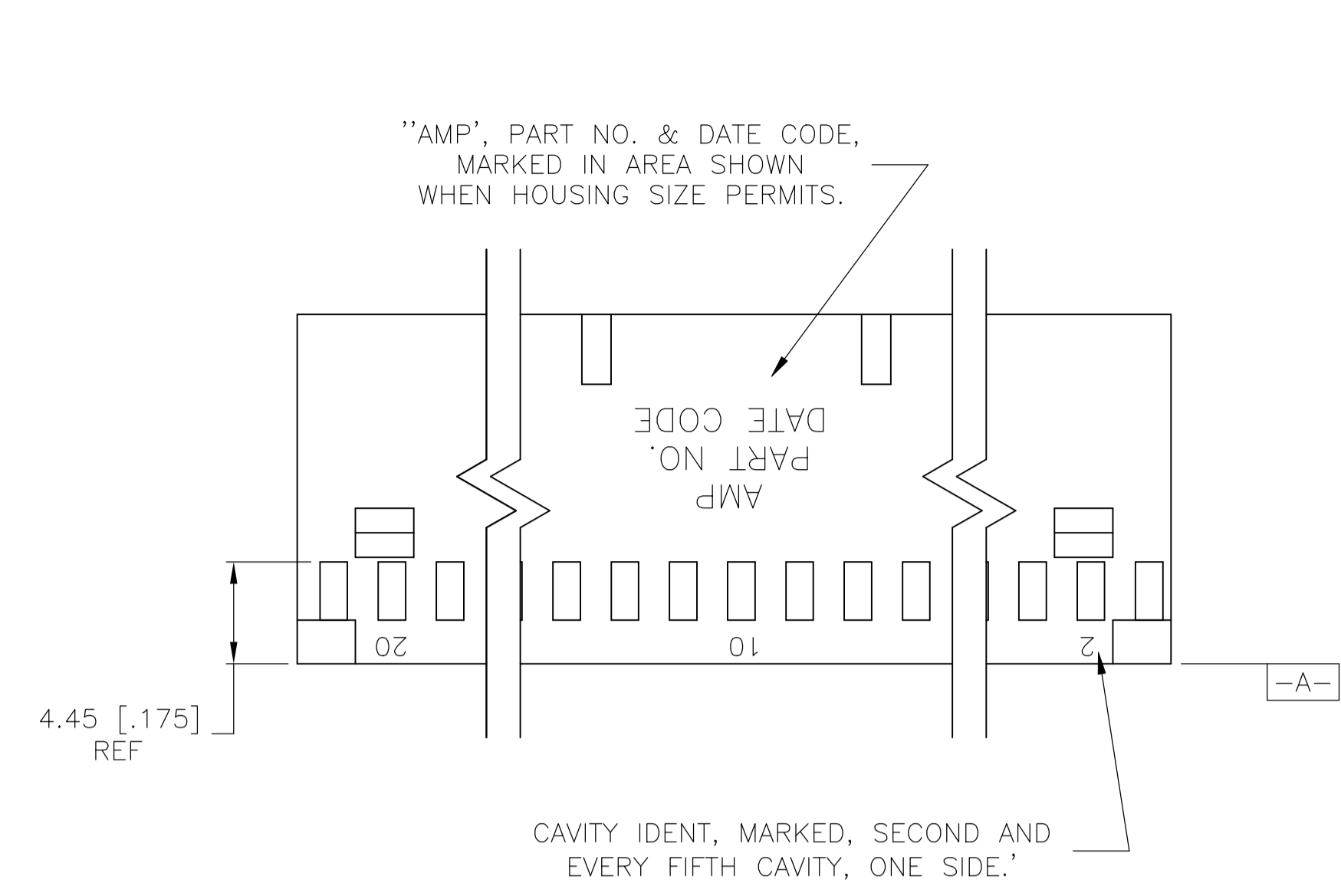
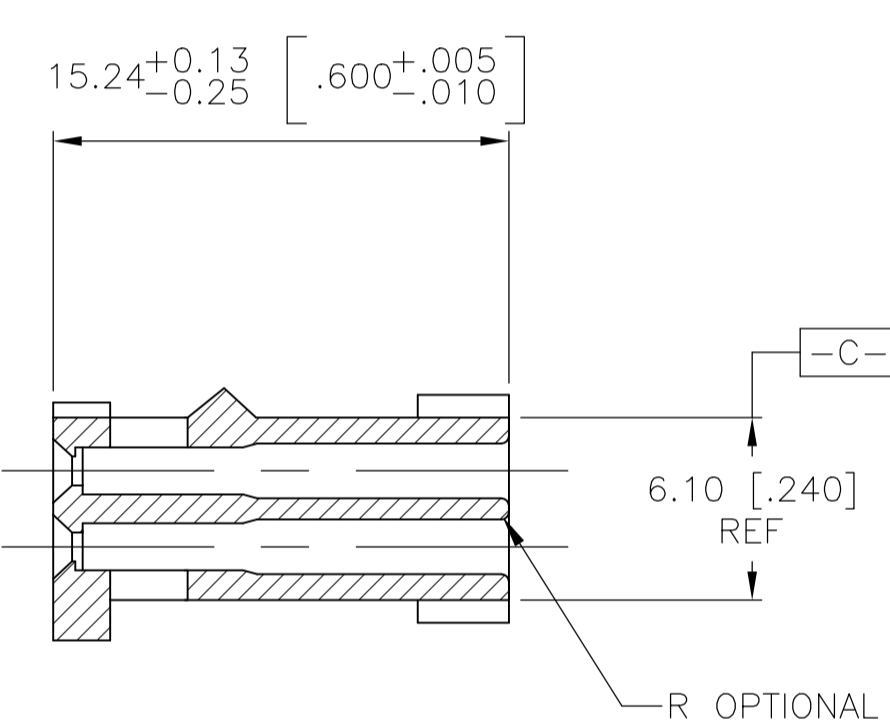
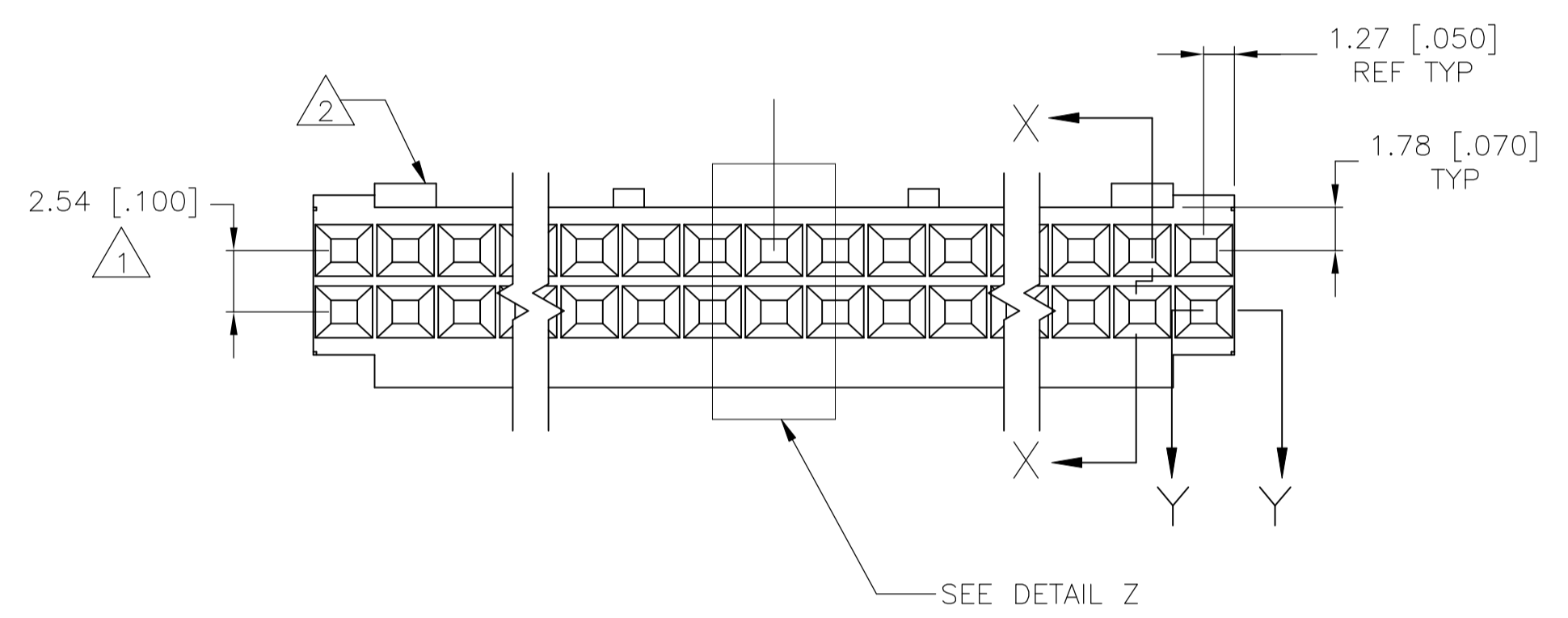


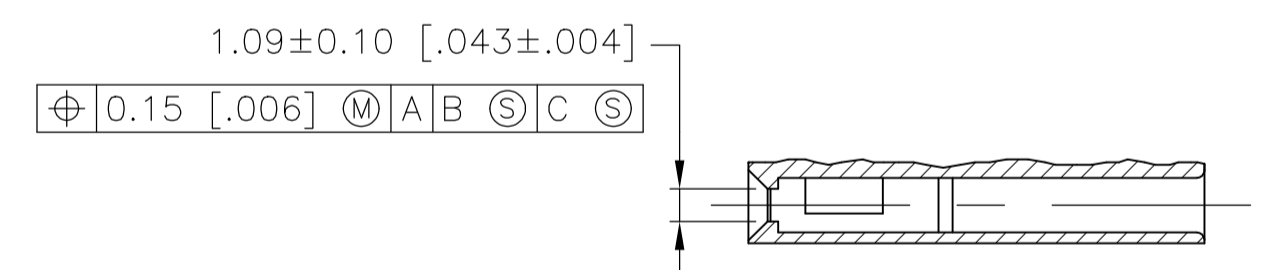
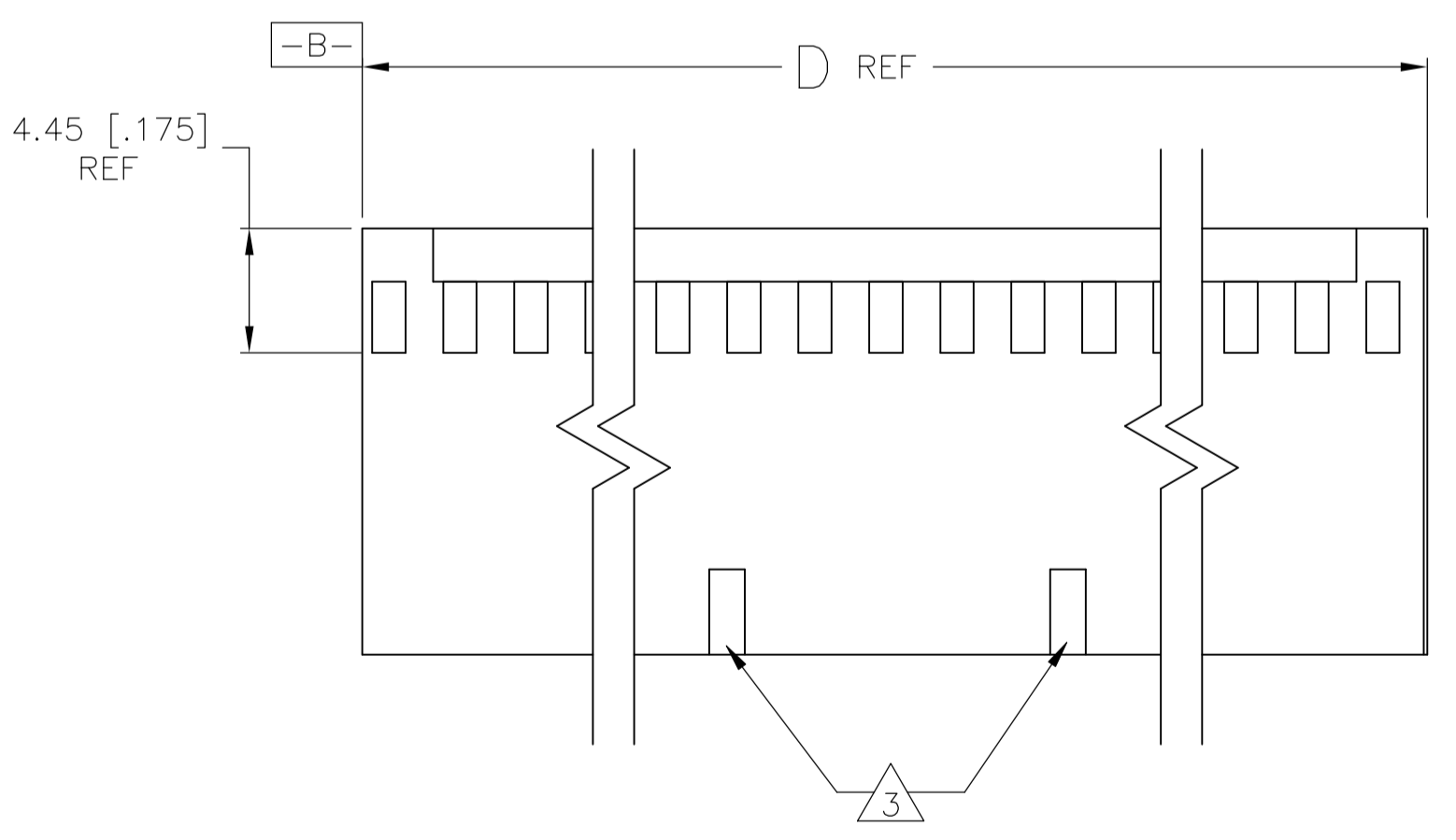
REVISIONS					
P	LR	DESCRIPTION	DATE	DRN	APVD
W4		REVISED PER ECO-13-004115	07MAR13	KH	JO
Y		REVISED PER ECO-18-000976	18MAY2018	RS	JO



DETAIL Z



SECTION X-X



SECTION Y-Y  
ROTATED 90° CLOCKWISE

MARKING	NO. OF DETENTS	D	NO. OF SPACES	NO. OF POS	PART NUMBER	
8 OBSOLETE	ALL	2	81.28 [3.200]	31	64	6-87631-6
	NONE	2	81.28 [3.200]	31	64	6-87631-5
	ALL	2	73.66 [2.900]	28	58	6-87631-4
8 OBSOLETE	NONE	2	73.66 [2.900]	28	58	6-87631-3
						6-87631-2
						6-87631-1
	ALL	2	60.96 [2.400]	23	48	6-87631-0
8 OBSOLETE	NONE	2	60.96 [2.400]	23	48	5-87631-9
8 OBSOLETE	ALL	2	88.90 [3.500]	35	72	5-87631-8
	NONE	2	88.90 [3.500]	35	72	5-87631-7
	ALL	2	88.90 [3.500]	34	70	5-87631-6
	NONE	2	88.90 [3.500]	34	70	5-87631-5
8 OBSOLETE	ALL	2	83.82 [3.300]	32	66	5-87631-4
	NONE	2	83.82 [3.300]	32	66	5-87631-3
	ALL	2	76.20 [3.000]	29	60	5-87631-2
	NONE	2	76.20 [3.000]	29	60	5-87631-1
						5-87631-0
						4-87631-9
						4-87631-8
						4-87631-7
8 OBSOLETE	ALL	2	68.58 [2.700]	26	54	4-87631-6
	NONE	2	68.58 [2.700]	26	54	4-87631-5
	ALL	2	66.04 [2.600]	25	52	4-87631-4
	NONE	2	66.04 [2.600]	25	52	4-87631-3
	ALL	2	63.50 [2.500]	24	50	4-87631-2
	NONE	2	63.50 [2.500]	24	50	4-87631-1
	ALL	2	55.88 [2.200]	21	44	4-87631-0
8 OBSOLETE	NONE	2	55.88 [2.200]	21	44	3-87631-9
	ALL	2	53.34 [2.100]	20	42	3-87631-8
	NONE	2	53.34 [2.100]	20	42	3-87631-7
	ALL	2	50.80 [2.000]	19	40	3-87631-6
	NONE	2	50.80 [2.000]	19	40	3-87631-5
	ALL	2	48.26 [1.900]	18	38	3-87631-4
	NONE	2	48.26 [1.900]	18	38	3-87631-3
	ALL	2	45.72 [1.800]	17	36	3-87631-2
	NONE	2	45.72 [1.800]	17	36	3-87631-1
	ALL	2	43.18 [1.700]	16	34	3-87631-0
	NONE	2	43.18 [1.700]	16	34	2-87631-9
	ALL	2	40.64 [1.600]	15	32	2-87631-8
	NONE	2	40.64 [1.600]	15	32	2-87631-7
	ALL	2	38.10 [1.500]	14	30	2-87631-6
	NONE	2	38.10 [1.500]	14	30	2-87631-5
	ALL	2	35.56 [1.400]	13	28	2-87631-4
	NONE	2	35.56 [1.400]	13	28	2-87631-3
	ALL	2	33.02 [1.300]	12	26	2-87631-2
	NONE	2	33.02 [1.300]	12	26	2-87631-1
	ALL	2	30.48 [1.200]	11	24	2-87631-0
	NONE	2	30.48 [1.200]	11	24	1-87631-9
	ALL	2	27.94 [1.100]	10	22	1-87631-8
	NONE	2	27.94 [1.100]	10	22	1-87631-7
	ALL	2	25.40 [1.000]	9	20	1-87631-6
	NONE	2	25.40 [1.000]	9	20	1-87631-5
	ALL	1	22.86 [.900]	8	18	1-87631-4
	NONE	1	22.86 [.900]	8	18	1-87631-3
	ALL	1	20.32 [.800]	7	16	1-87631-2
	NONE	1	20.32 [.800]	7	16	1-87631-1
	ALL	1	17.78 [.700]	6	14	1-87631-0
	NONE	1	17.78 [.700]	6	14	87631-9
	ALL	1	15.24 [.600]	5	12	87631-8
	NONE	1	15.24 [.600]	5	12	87631-7
	ALL	1	12.70 [.500]	4	10	87631-6
	NONE	1	12.70 [.500]	4	10	87631-5
	ALL	1	10.16 [.400]	3	8	87631-4
	NONE	1	10.16 [.400]	3	8	87631-3
	ALL	1	7.62 [.300]	2	6	87631-2
	NONE	1	7.62 [.300]	2	6	87631-1

- 2 SEE TABLE FOR NUMBER OF DETENTS. DETENT ON THIS SIDE FOR HOUSINGS WITH ONE DETENT.
- 3 STRAIN RELIEF LOCATORS WILL APPEAR ON 20 POSITION AND LARGER HOUSINGS.
- 4 USE EXTRACTION TOOL 91052-1 TO REMOVE RECEPTACLE CONTACTS.
- 5 THESE HOUSINGS ARE COMPATIBLE WITH ANY MOD II SHROUDED HEADER.
- 6 HOUSINGS WILL ACCOMMODATE ALL MOD IV, IV.5 AND MOD V CONTACTS.
- 7 MATERIAL: FLAME RETARDANT GLASS FILLED NYLON, COLOR: BLACK PER ASTM D4066.
- 8 OBSOLETE PARTS: OBSOLETE CIS STREAMLINING PER D.RENAUD/D.SINISI

THIS DRAWING IS A CONTROLLED DOCUMENT. DWN E. BRANDBERG 09FEB94  
 DW S. SHUEY 08NOV94  
 APVD D. DUPLER 08NOV94

TE Connectivity Ltd.

CONNECTOR, MOD IV, CRIMP SNAP-IN, WITH DETENT

SIZE CAGE CODE DRAWING NO. RESTRICTED TO  
 A1 00779 C=87631

CUSTOMER DRAWING SCALE 4:1 SHEET 1 OF 1 REV Y

# Mouser Electronics

Authorized Distributor

Click to View Pricing, Inventory, Delivery & Lifecycle Information:

[TE Connectivity:](#)

[1-87631-3](#)