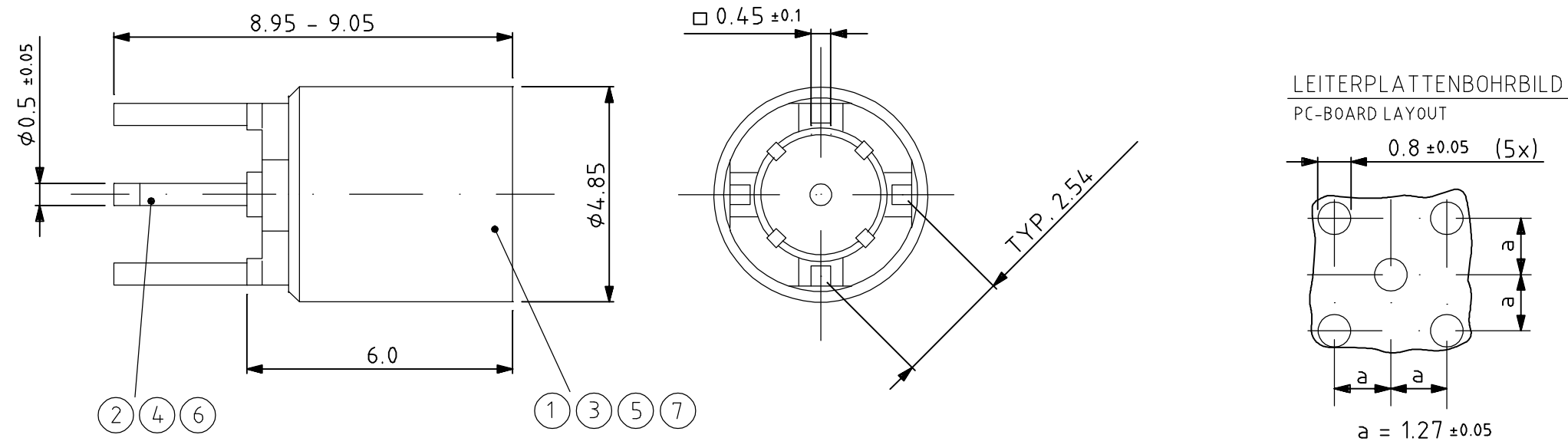


THIS DRAWING IS UNPUBLISHED. RELEASED FOR PUBLICATION
 © COPYRIGHT - BY TYCO ELECTRONICS CORPORATION. ALL RIGHTS RESERVED.

LOC	DIST	REVISIONS					
EK	00	P	LTR	DESCRIPTION	DATE	DWN	APVD
		G		REVISED PER EC OS14-0457-04	03NOV05	TS	JL



- 1 KOAX STECKVERBINDER NACH CECC 22220
COAX CONNECTOR COMPLIES WITH SPEC. CECC 22220
KOAX - KUPPLER (POS. 1,3,5,7) MONTIERT
MIT BUCHSENKONTAKT (POS. 2,4,6)
IM PLASTIKBEUTEL VERPACKT
- 2 COAX JACK (POS. 1,3,5,7) ASSEMBLED
WITH FEMALE CONTACT (POS. 2,4,6)
PACKED IN PLASTIC BAG
- 3 VERGOLDET 112-162-5; 1.3 μ m MIN DICKE ÜBER
Ni 112-25-2; 2.0 μ m MIN - 4.0 μ m MAX DICKE
GOLD PL. 112-162-5; 1.3 μ m MIN THK OVER
Ni PL. 112-25-2; 2.0 μ m MIN - 4.0 μ m MAX THK

- 4 VERGOLDET 112-162-5; 0.8 μ m MIN DICKE ÜBER
Ni 112-25-2; 2.0 μ m MIN - 4.0 μ m MAX DICKE
GOLD PL. 112-162-5; 0.8 μ m MIN THK OVER
Ni PL. 112-25-2; 2.0 μ m MIN - 4.0 μ m MAX THK
- 5 GLANZZINN NACH AMP SPEZ.112-26-1;NOM. 8 μ m
DICK ÜBER NICKEL NACH AMP SPEZ.112-25-2;
2.0 μ m MIN.-4.0 μ m MAX. DICKE.
BRIGHT TIN PL.PER AMP SPEC.112-26-1;NOM. 8 μ m
THK OVER NIPL.PER AMP SPEC.112-25-2;
2.0 μ m MIN.-4.0 μ m MAX. THK.
- 6 BUCHSENKONTAKT : MATERIAL Cu Be / PHOSPHORBRONCE
FEMALE CONTACT : MATERIAL Cu Be / PHOSPHORBRONCE

- 7 VERGOLDET 0.1-0.2 μ m DICKE ÜBER
NOM. 4.0 μ m Ni P DICKE
0.1-0.2 μ m Au OVER NOM.
4.0 μ m Ni P PLATING

OBSOLETE	829559-4	6	1	BUCHSENKONT./FEMALE CONTACT	6	4
				KUPPLER/JACK	Cu Zn	7
	829559-3	6	1	BUCHSENKONT./FEMALE CONTACT	6	4
		5	1	KUPPLER/JACK	Cu Zn	5
	829559-2	4	1	BUCHSENKONT./FEMALE CONTACT	6	7
		3	1	KUPPLER/JACK	Cu Zn	7
	829559-1	2	1	BUCHSENKONT./FEMALE CONTACT	6	3
		1	1	KUPPLER/JACK	Cu Zn	4
	BESTELL-NR. PART-NO.	POS. ITEM-NO.	STÜCK PIECES	BENENNUNG EINZELTEIL DESCRIPTION	WERKSTOFF MATERIAL	OBERFLÄCHE PLATING FARBE/COLOUR

THIS DRAWING IS A CONTROLLED DOCUMENT.		DWN ZANDER	09JAN90	Tyco Electronics Corporation Harrisburg, PA 17105-3608													
DIMENSIONS: mm		CHK -	-														
TOLERANCES UNLESS OTHERWISE SPECIFIED:		APVD FISCHER	09JAN90	NAME													
<table border="0"> <tr><td>0 PLC</td><td>± -</td></tr> <tr><td>1 PLC</td><td>± -</td></tr> <tr><td>2 PLC</td><td>± 0.15</td></tr> <tr><td>3 PLC</td><td>± -</td></tr> <tr><td>4 PLC</td><td>± -</td></tr> <tr><td>ANGLES</td><td>± 1'</td></tr> </table>		0 PLC	± -	1 PLC	± -	2 PLC	± 0.15	3 PLC	± -	4 PLC	± -	ANGLES	± 1'	PRODUCT SPEC		SERIES MCX, JACK FOR PCB (PITCH 2.54 mm)	
0 PLC	± -																
1 PLC	± -																
2 PLC	± 0.15																
3 PLC	± -																
4 PLC	± -																
ANGLES	± 1'																
MATERIAL SEE TABLE		FINISH -		APPLICATION SPEC													
		WEIGHT -		SIZE A3	CAGE CODE 00779												
		CUSTOMER DRAWING		DRAWING NO G-829559	RESTRICTED TO -												
		SCALE 10:1		SHEET 1 of 1	REV G												

Mouser Electronics

Authorized Distributor

Click to View Pricing, Inventory, Delivery & Lifecycle Information:

[TE Connectivity:](#)

[829559-2](#)