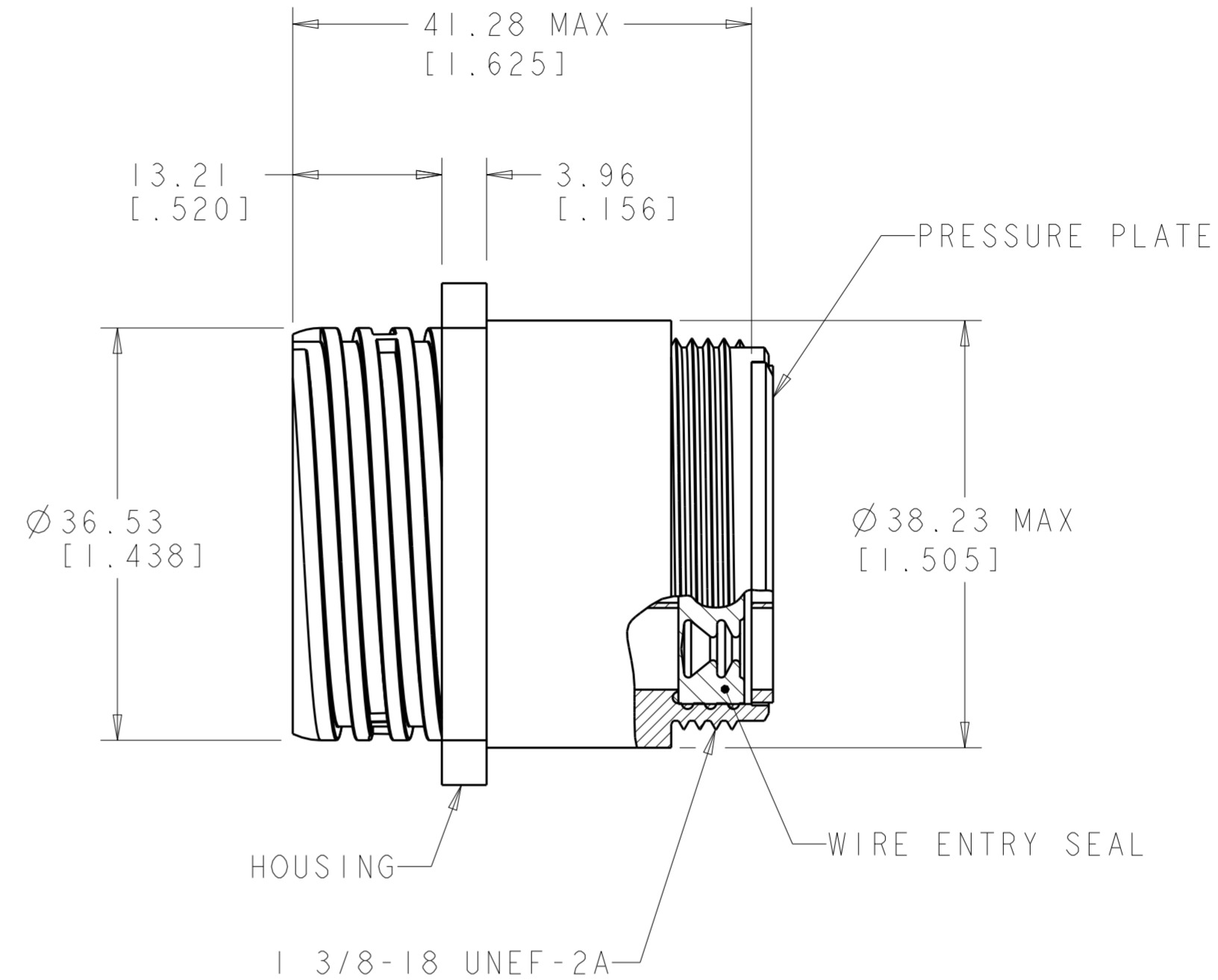
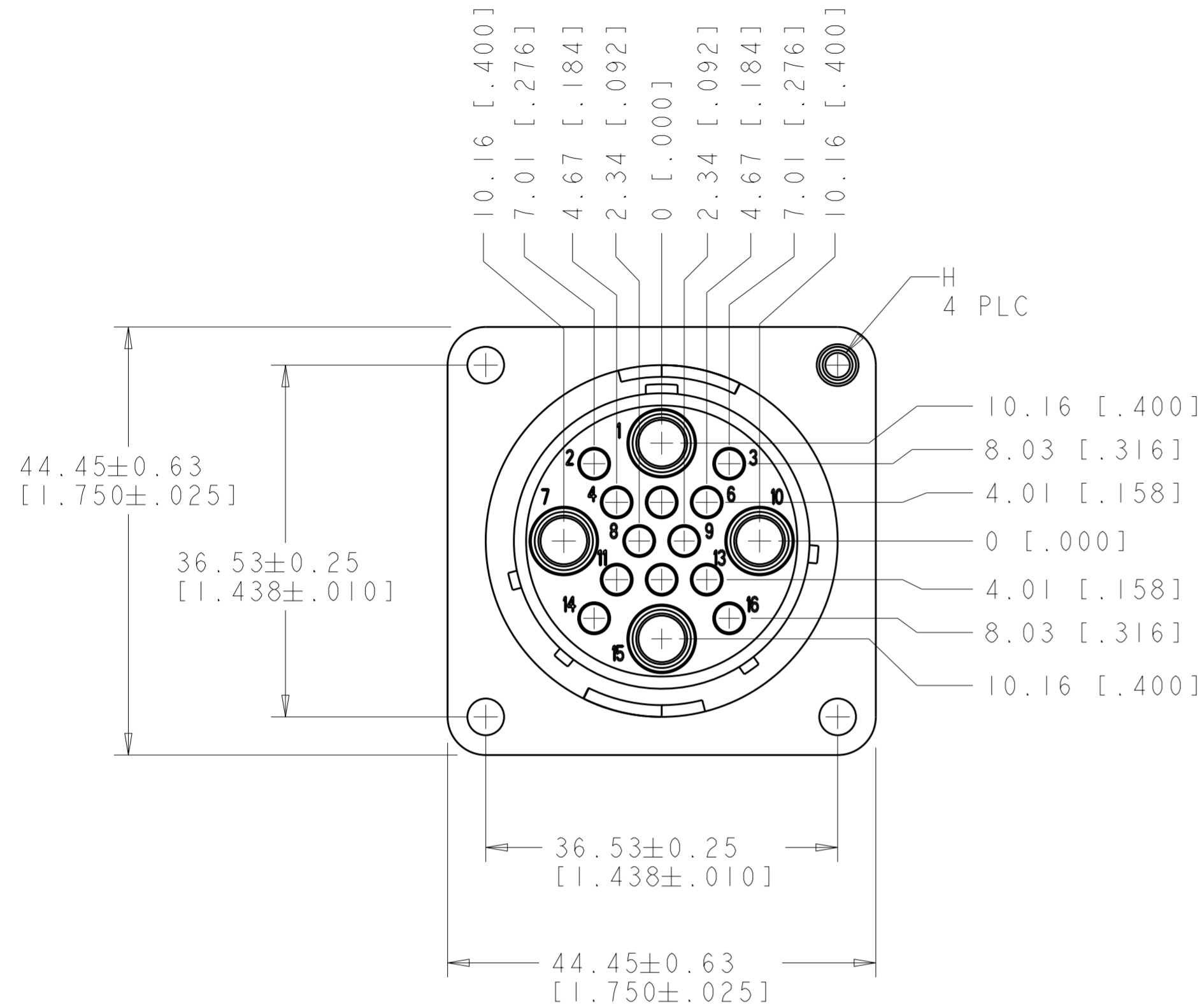
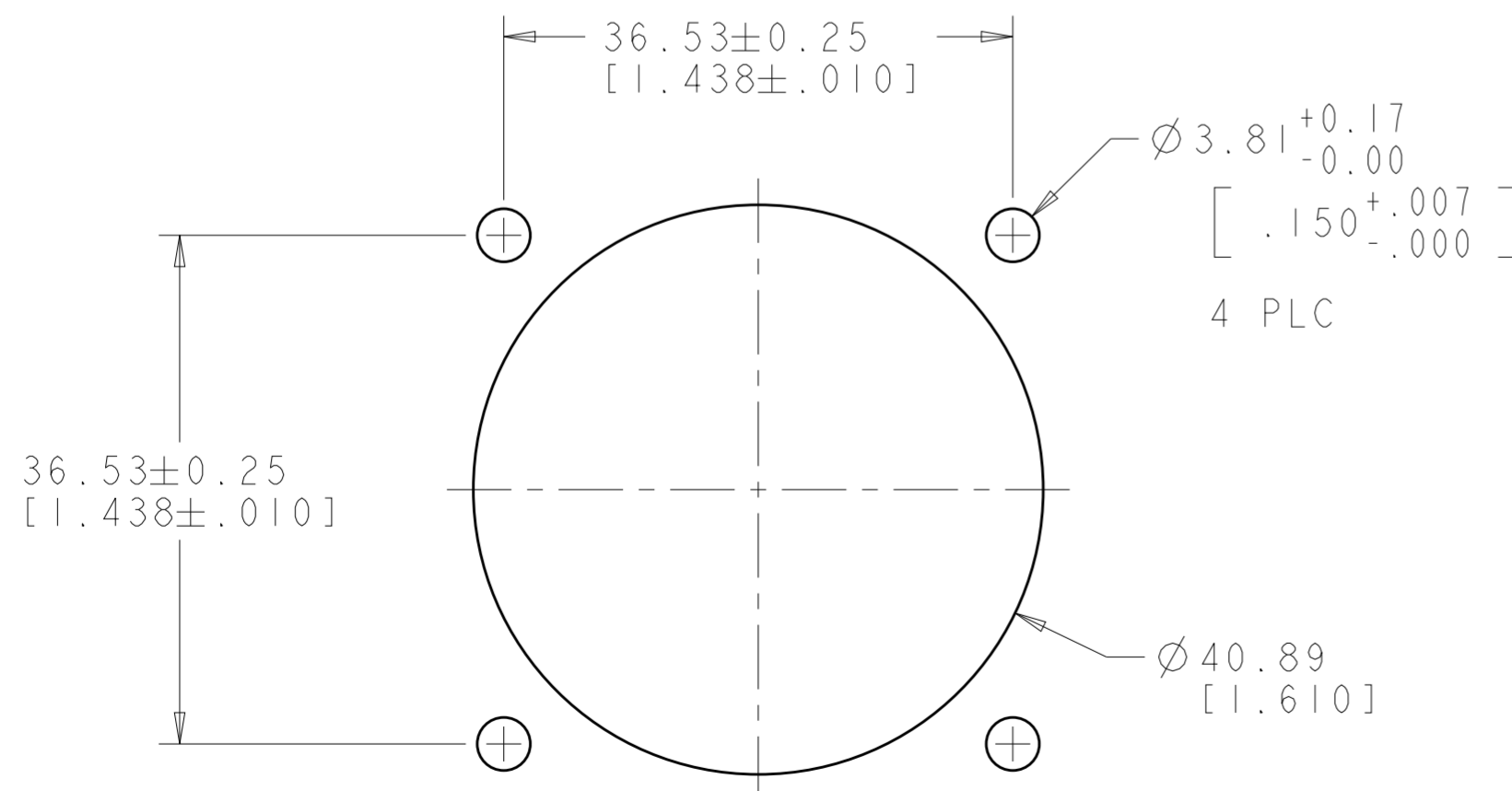


| REVISIONS |     |                           |           |       |
|-----------|-----|---------------------------|-----------|-------|
| P         | LTR | DESCRIPTION               | DATE      | APVD  |
| B2        |     | REVISED PER ECO-16-004800 | 08SEP2016 | NK MZ |
| C         |     | REVISED PER ECO-19-011232 | 08AUG2019 | RS MZ |



- ① HOUSING & PRESSURE PLATE: NYLON, BLACK.  
WIRE ENTRY SEAL: ELASTOMER, RED-IRON OXIDE.  
PERIPHERAL SEAL: ELASTOMER, BLACK.
- 2. WILL ACCEPT (12) MULTIMATE PINS AND (4) POWER MALE CONTACTS.
- ③ OBSOLETE PARTS: OBSOLETE CIS STREAMLINING PER D.RENAUD/D.SINISI



RECOMMENDED PANEL CUTOUT

|   |          |                 |                                  |             |
|---|----------|-----------------|----------------------------------|-------------|
| ③ | OBSOLETE | POWER           | $3.81 \pm 0.07$<br>[.150 ± .003] | 796466-3    |
|   | OBSOLETE | STD             | W/ THREADED INSERTS              | 796466-2    |
|   |          | STD             | $3.81 \pm 0.07$<br>[.150 ± .003] | 796466-1    |
|   |          | WIRE ENTRY SEAL | H                                | PART NUMBER |

| THIS DRAWING IS A CONTROLLED DOCUMENT. |  | DWN              | IOMAY00  | STE TE Connectivity   |  |
|--|--|------------------|----------|---|--|
| DIMENSIONS:<br>mm [INCHES]             |  | CHK              | IOMAY00  | NAME  |  |
| TOLERANCES UNLESS OTHERWISE SPECIFIED: |  | APVD             | IOMAY00  | RECEPTACLE ASSY, SERIES 6,<br>STANDARD SEX, SIZE 23-16,<br>CIRCULAR PLASTIC CONNECTOR |  |
| 0 PLC ±                                |  | PRODUCT SPEC     |          | SIZE  |  |
| 1 PLC ±                                |  | APPLICATION SPEC | 108-1579 | CAGE CODE   |  |
| 2 PLC ±0.02                            |  | WEIGHT           | -        | DRAWING NO  |  |
| 3 PLC ±                                |  | CUSTOMER DRAWING |          | A200779   |  |
| 4 PLC ±                                |  | SCALE            | 2:1      | SHEET   |  |
| ANGLES ±                               |  | RESTRICTED TO    |          | OF  |  |
| FINISH ±                               |  | REV              |          | C   |  |

# Mouser Electronics

Authorized Distributor

Click to View Pricing, Inventory, Delivery & Lifecycle Information:

[TE Connectivity:](#)

[796466-1](#)