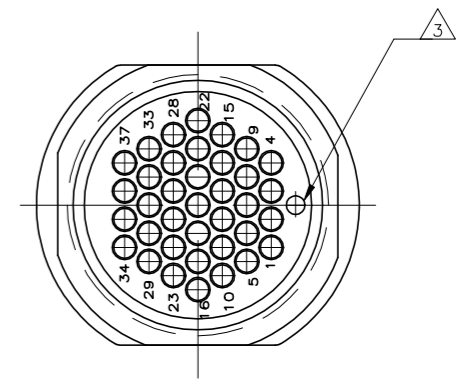
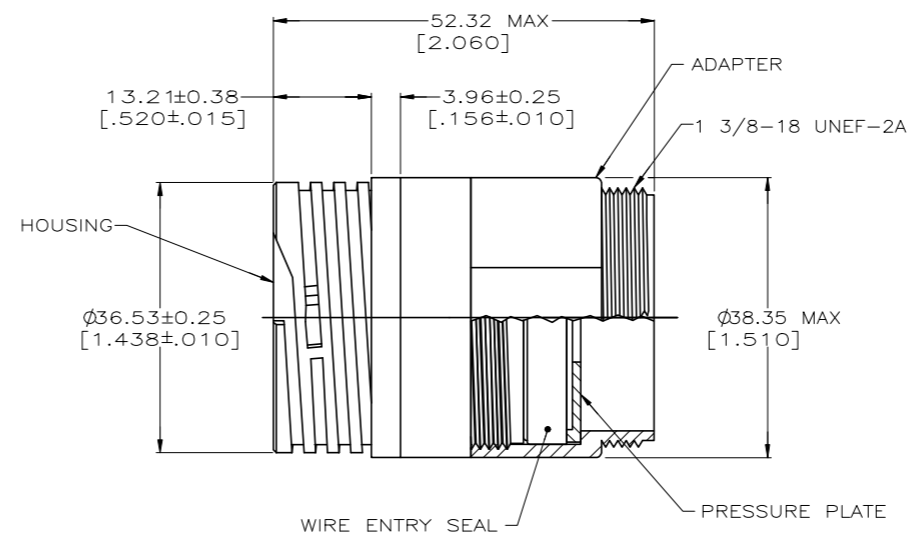
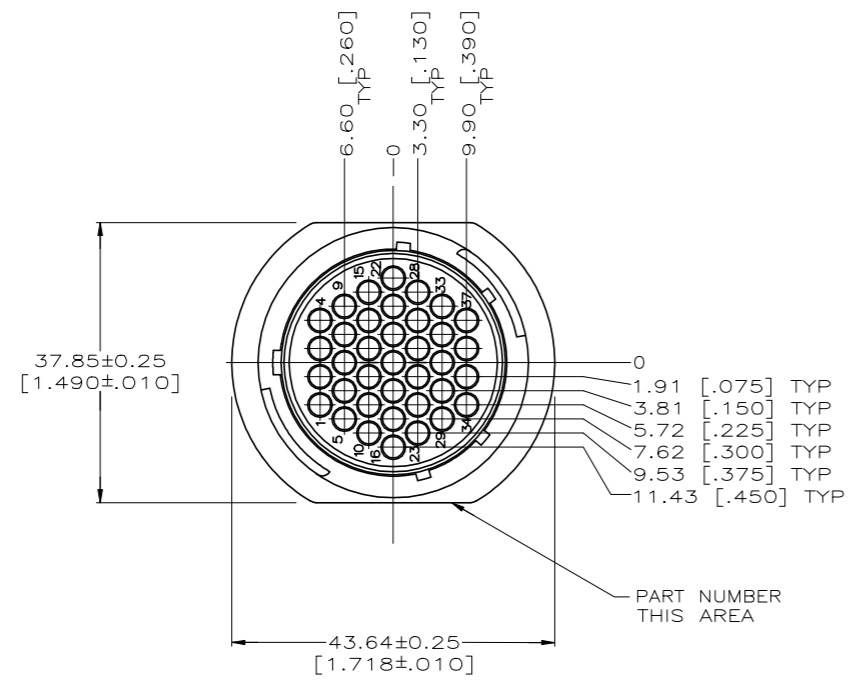


THIS DRAWING IS UNPUBLISHED. RELEASED FOR PUBLICATION
 © COPYRIGHT - By - ALL RIGHTS RESERVED.

REVISIONS					
#	LTR	DESCRIPTION	DATE	DNW	APVD
B		REVISED PER ECO-11-019033	20SEP11	KH	MZ
C		REVISED PER ECO-19-011232	06AUG2019	RS	MZ



- 1 ADAPTER AND HOUSING: NYLON, BLACK.
 WIRE ENTRY SEAL: ELASTOMER, RED-IRON OXIDE.
 PERIPHERAL SEAL: ELASTOMER, BLACK.
- 2. CONNECTOR WILL ACCEPT (37) MULTIMATE PIN CONTACTS.
- 3 ORIENTATION HOLE USED IN THE MANUFACTURING PROCESS ONLY.
 THIS HOLE IS NOT INTENDED FOR WIRE INSERTION.

796287-1
 PART NUMBER

THIS DRAWING IS A CONTROLLED DOCUMENT.		DNW C.DORWART 11 NOV 98	TE Connectivity	
DIMENSIONS:		CHK K.DOWHOWER 15NOV99	NAME	
INCHES		APVD K.DOWHOWER 15NOV99	RCPT ASSEMBLY, SIZE 23-37, STANDARD SEX, FREE HANGING, SEALED CIRCULAR PLASTIC CONNECTOR	
TOLERANCES UNLESS OTHERWISE SPECIFIED: 0 PLC ± - 1 PLC ± - 2 PLC ± 0.1X(.005) 3 PLC ± - 4 PLC ± - ANGLES ± -		PRODUCT SPEC 108-1579	SIZE A1	DRAWING NO 00779
MATERIAL 1	FINISH -	WEIGHT -	SCALE 2:1	SHEET 1 OF 1
CUSTOMER DRAWING		REV C		

Mouser Electronics

Authorized Distributor

Click to View Pricing, Inventory, Delivery & Lifecycle Information:

[TE Connectivity:](#)

[796287-1](#)