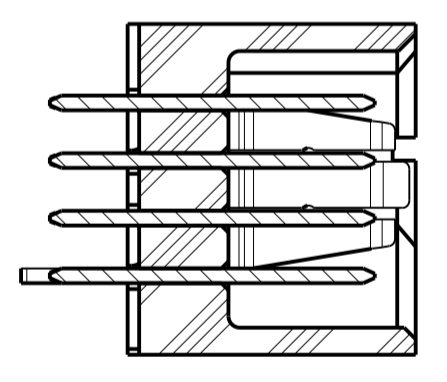
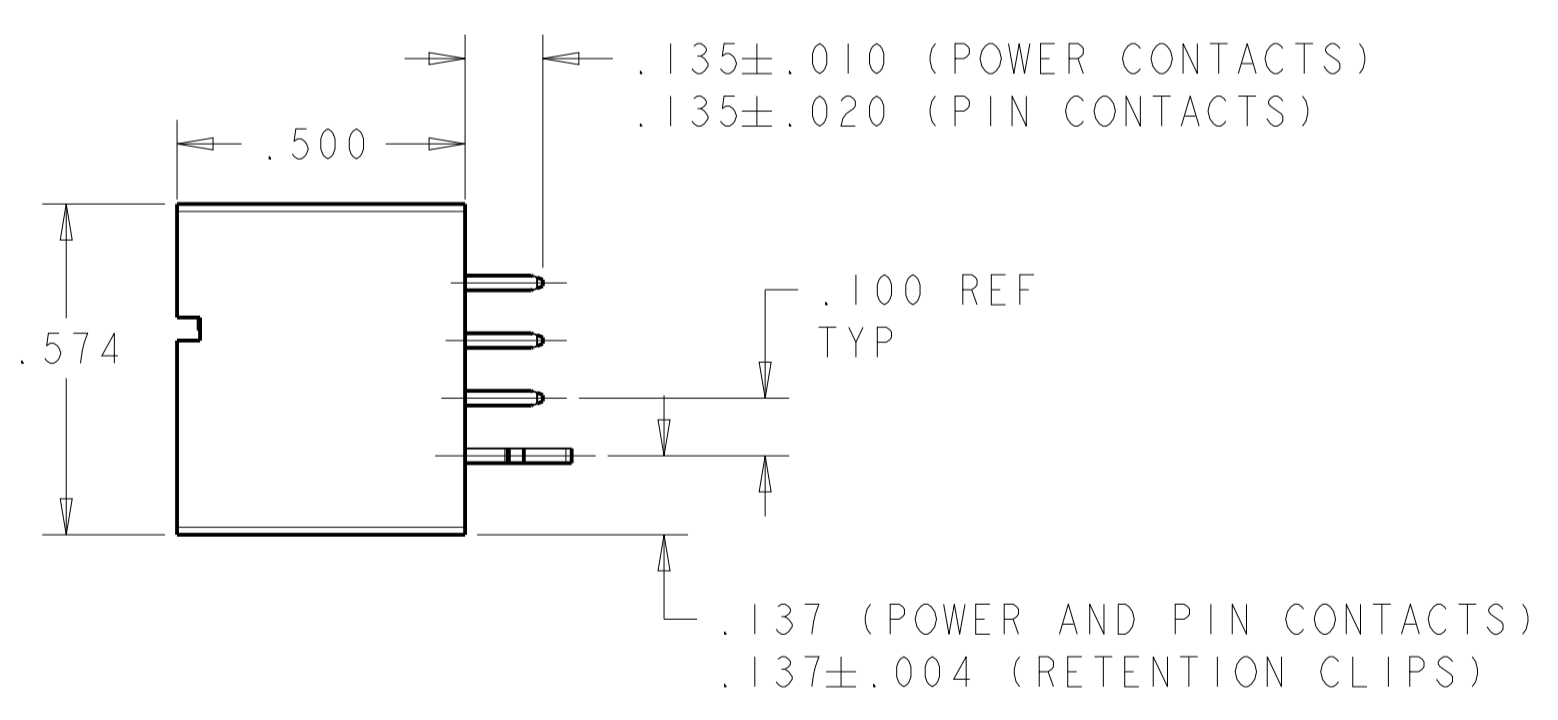
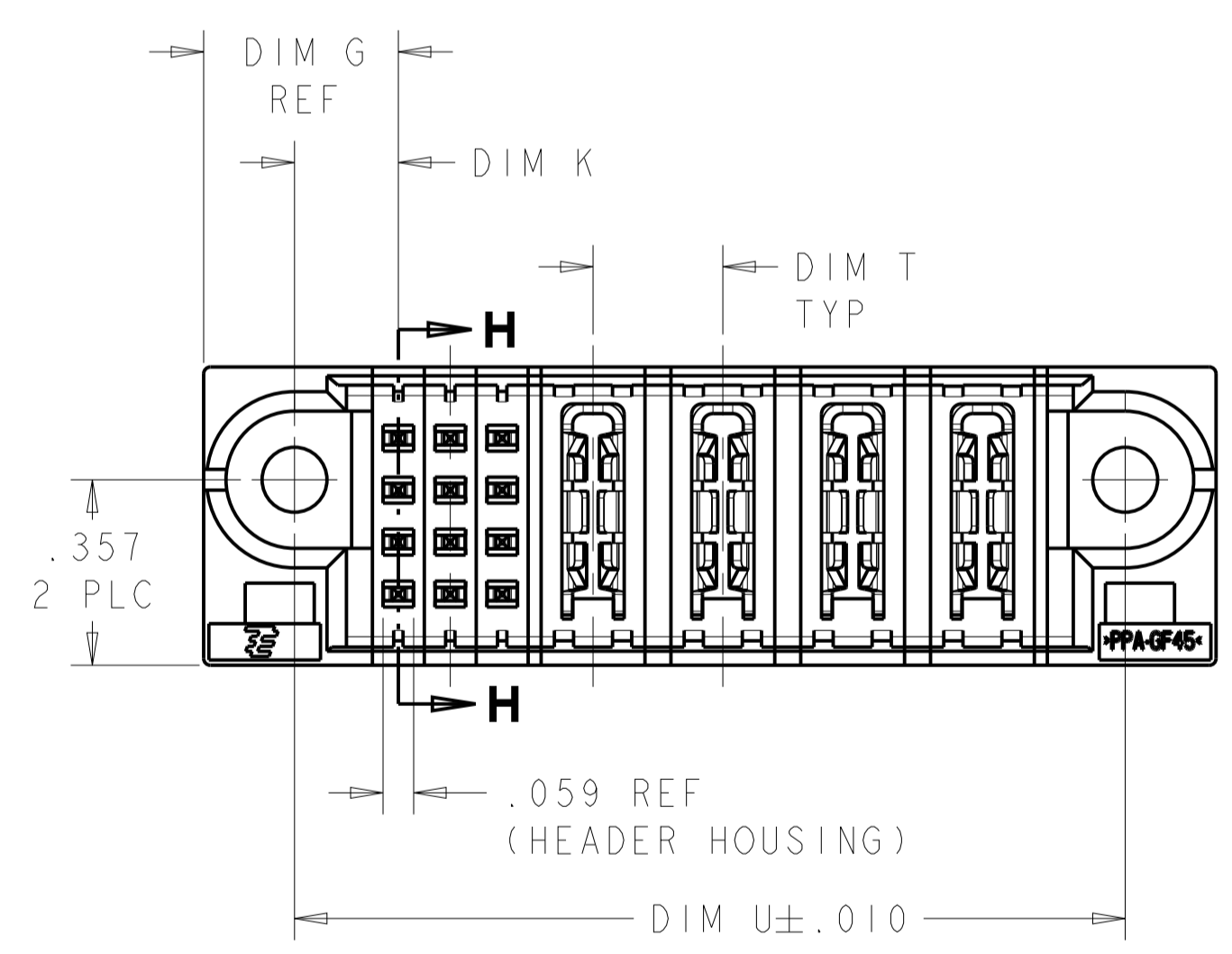
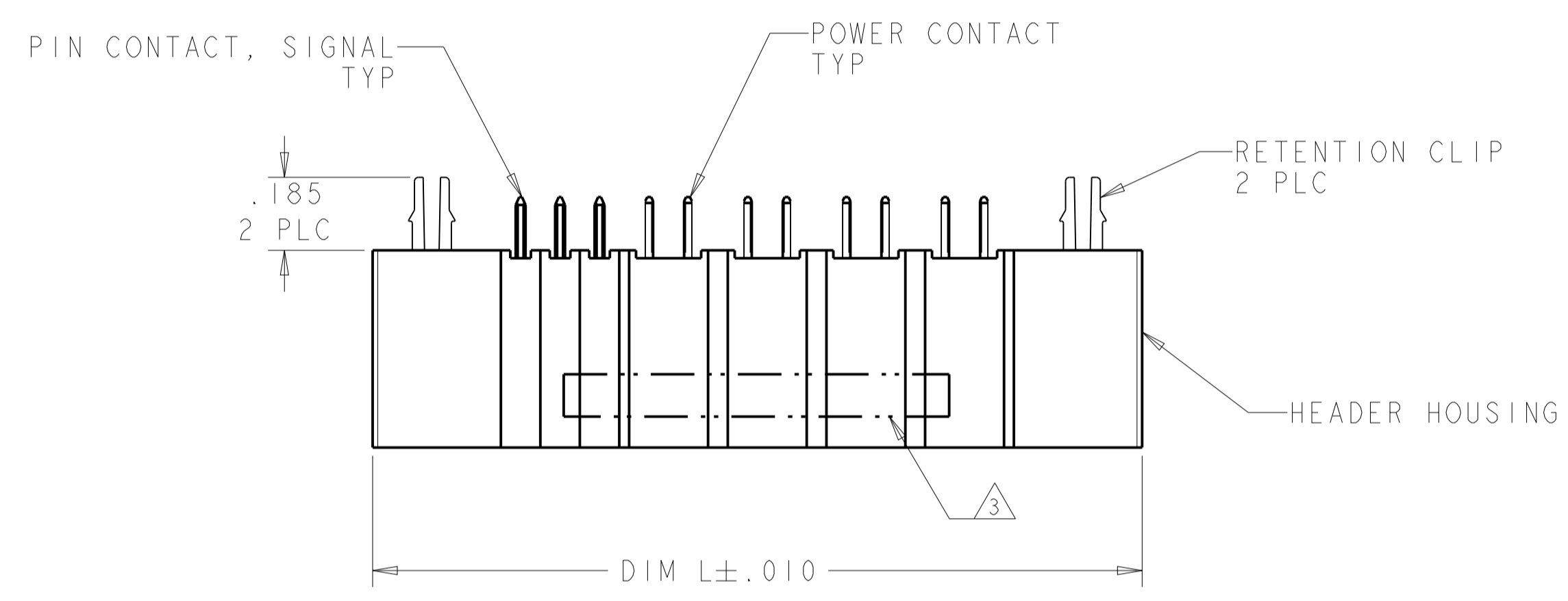
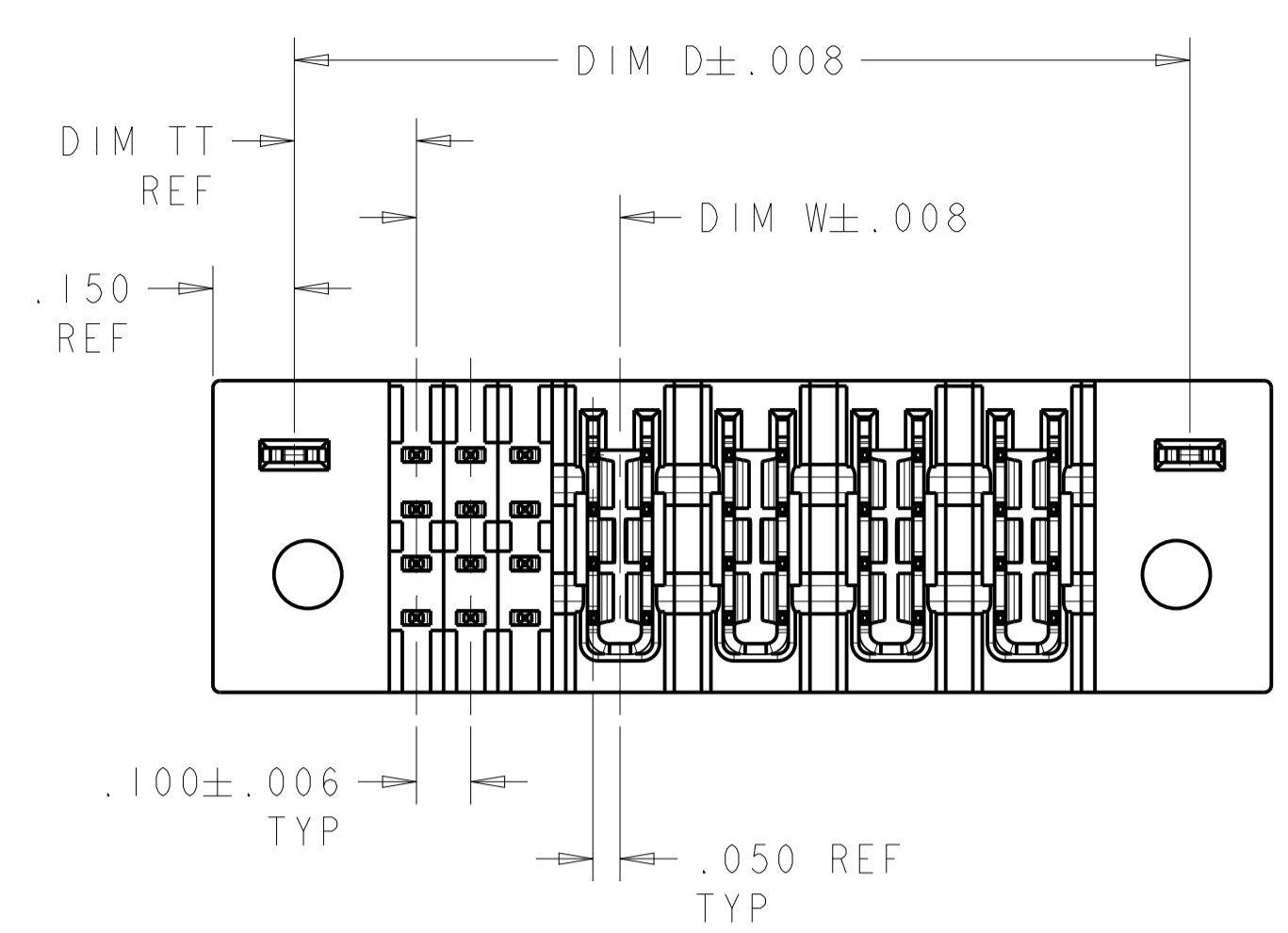


LOC	DIST	REVISIONS					
		P	LTN	DESCRIPTION	DATE	DWN	APVD
GP	00	A1		ADDED NEW DASH NUMBER -4.	26 JAN 2010	IL	SZ
		A2		REV PER ECR-14-002489	25 FEB 2014	OL	SZ



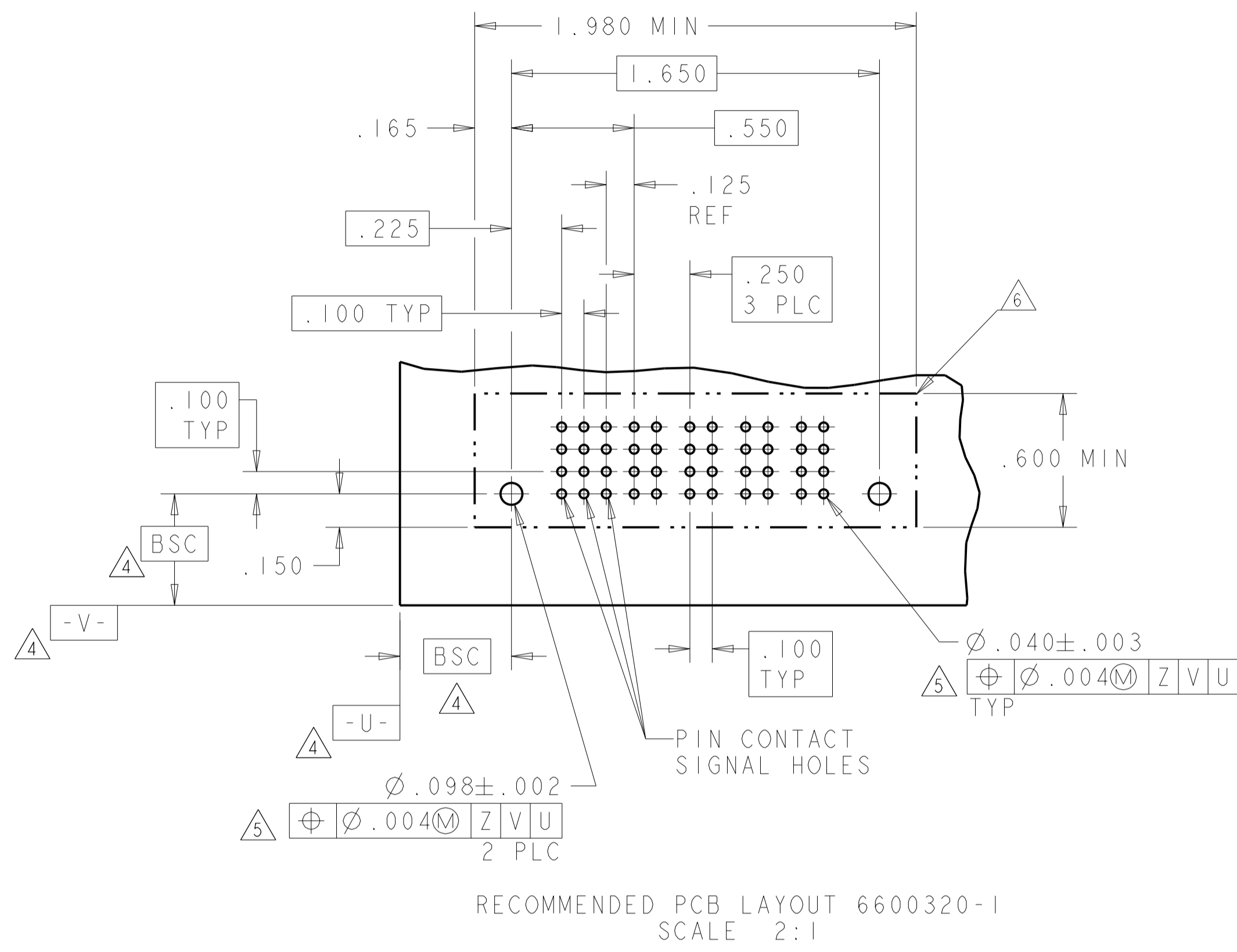
SECTION H-H

- ⚠️ HEADER HOUSING: THERMO PLASTIC, BLACK, UL94 V-0; CONTACTS AND RETENTION CLIPS: COPPER ALLOY.
- ⚠️ PCONTACT PLATING: NOBLE METAL PLATING ON CONTACT FUNCTIONAL AREA OF POWER AND SIGNAL CONTACTS  
RETENTION CLIP: .000115 MIN TIN.
- ⚠️ "AMP", PART NUMBER AND DATE CODE MARKED IN THIS AREA. PARTS UNDER 2.50 LONG MAY BE MARKED ON BOTH SIDES.
- ⚠️ DATUM AND BASIC DIMENSIONS ESTABLISHED BY CUSTOMER.
- ⚠️ PCB - ALL HOLE DIAMETERS ARE FINISHED HOLE SIZES.
- ⚠️ MECHANICAL CONNECTOR KEEP OUT ZONE.
- ⚠️ NOT RELEASED FOR PRODUCTION.

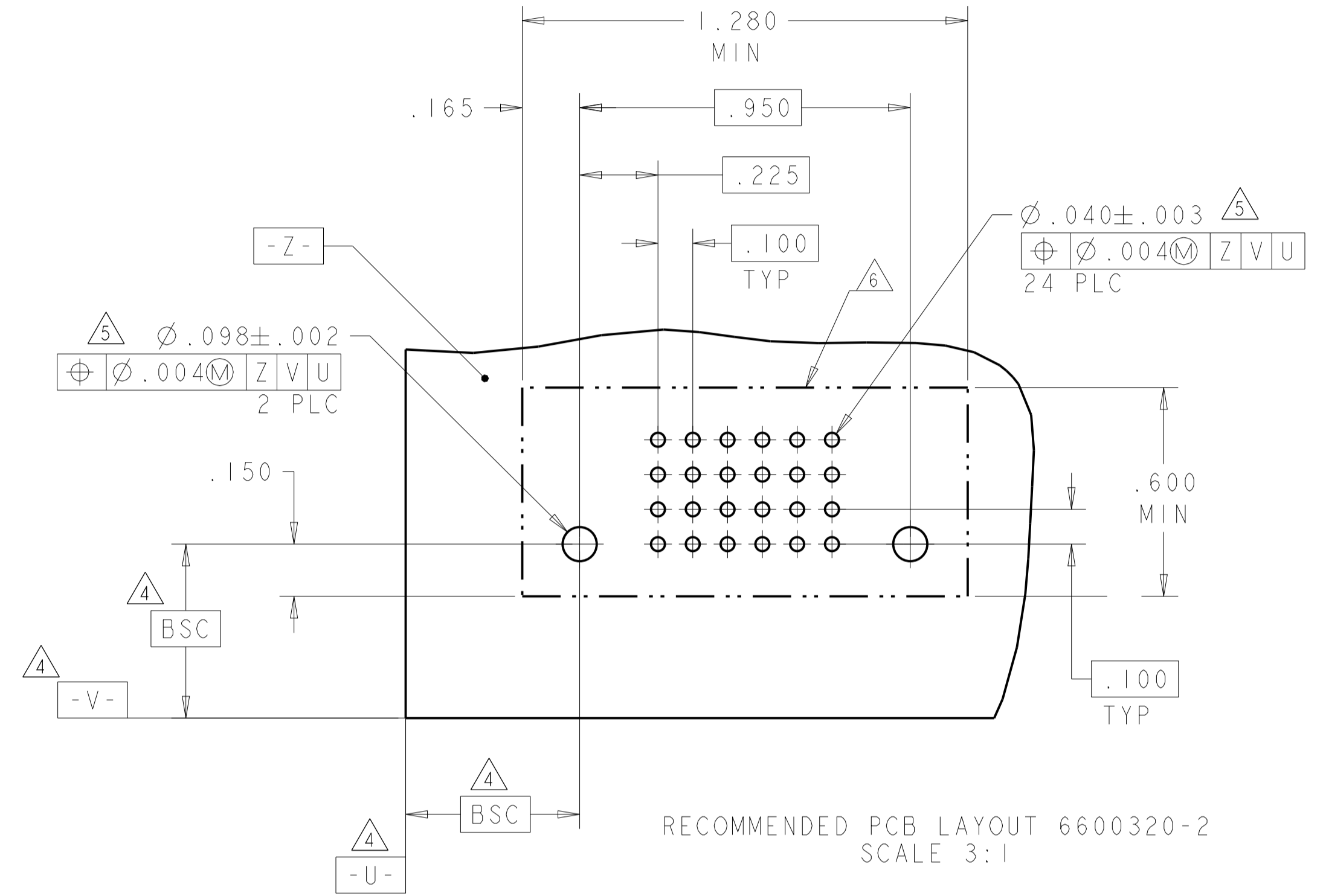
ⓐ1	.225	.450	1.500	.200	1.850	.200	.375	1.550	YES	16S + 4P	6600320-4
⚠️	.225	.675	2.400	.250	2.750	.200	.375	2.450	YES	24S + 6P	6600320-3
⚠️	.225	-	.900	-	1.250	.200	.375	.950	YES	24S	6600320-2
	.225	.375	1.600	.250	1.950	.200	.375	1.650	YES	12S + 4P	6600320-1
	DIM "TT"	DIM "W"	DIM "U"	DIM "T"	DIM "L"	DIM "K"	DIM "G"	DIM "D"	RETENTION CLIP	DESCRIPTION	PART NUMBER

DIMENSIONS: INCH 		TOLERANCES UNLESS OTHERWISE SPECIFIED: 0 PLC ± 1 PLC ± 2 PLC ± 3 PLC ±0.005 4 PLC ± ANGLES ±		DWN D. RINGLER 06MAY2006 CHK M. PERCHERKE 06MAY2006 APVD M. PERCHERKE 06MAY2006 PRODUCT SPEC 108-1973 APPLICATION SPEC 114-13038 WEIGHT FINISH		Tyco Electronics Harrisburg, PA 17105-3608 NAME VERTICAL HEADER ASSEMBLY, W/GUIDES SOLDER TAIL, TYPE SP, MULTI-BEAM XL SIZE CAGE CODE DRAWING NO A100779C=6600320 RESTRICTED TO	
MATERIAL: ⚠️ FINISH: ⚠️				CUSTOMER DRAWING		SCALE 4:1 SHEET 1 OF 3 REV A2	

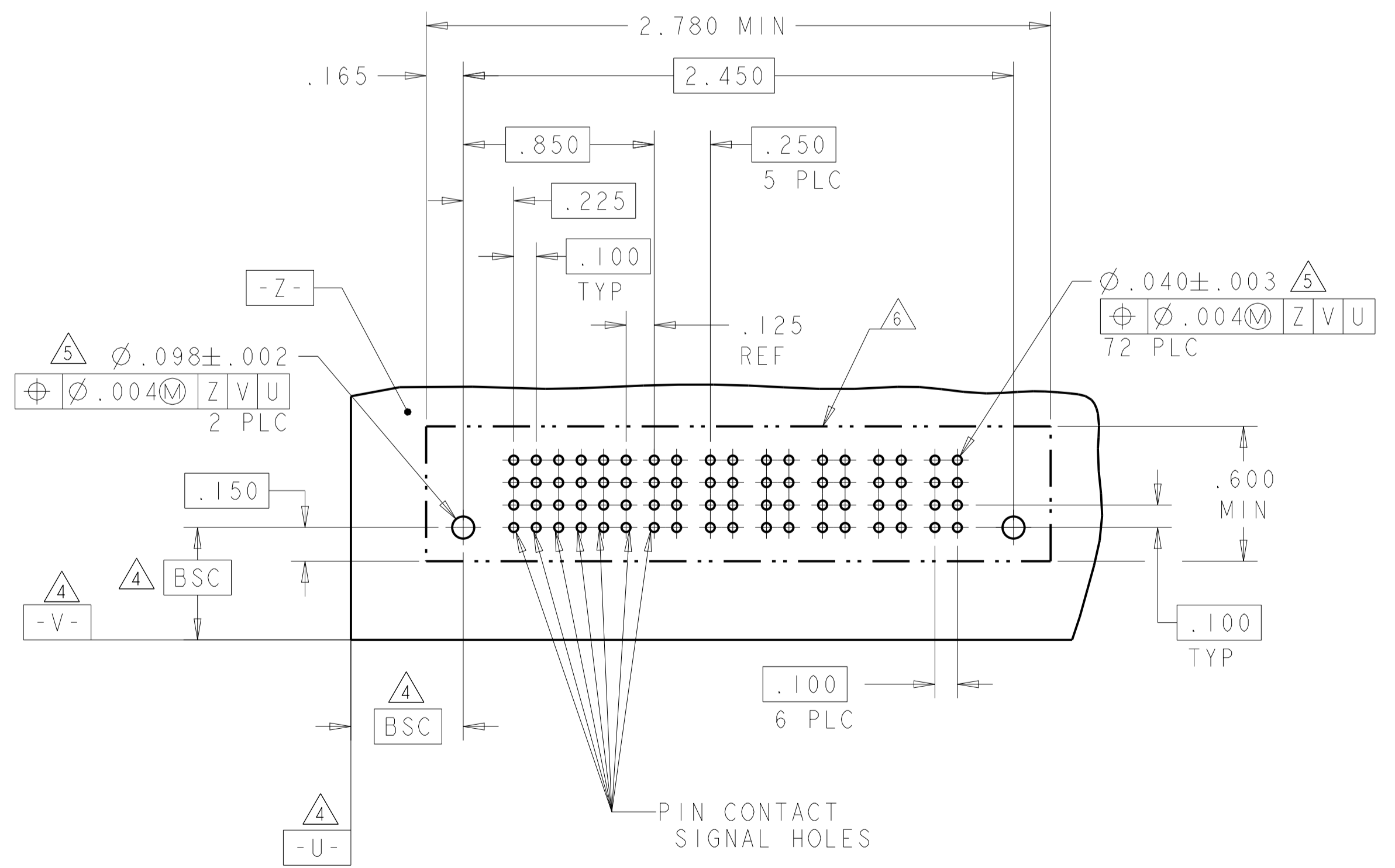
PART NUMBER	ROWS	SIGNAL			POWER			
		1	2	3	P1	P2	P3	P4
6600320-1	D	SV	SV	SV	SZ	SZ	SZ	SZ
	C	SV	SV	SV				
	B	SV	SV	SV				
	A	SV	SV	SV				
12S+4P	HD							HD



PART NUMBER	ROWS	SIGNAL			
		1	2	3	4
6600320-2	D	SS	SS	SS	SS
	C	SS	SS	SS	SS
	B	SS	SS	SS	SS
	A	SV	SV	SV	SV
24S	HD				HD



LOC	DIST	REVISIONS			
GP	00	REV	DATE	BY	APPV
		1			
		2			



PART NUMBER	ROWS	SIGNAL						POWER					
		1	2	3	4	5	6	P1	P2	P3	P4	P5	P6
6600320-3	D	SV	SV	SV	SV	SV	SV	SZ	SZ	SZ	SZ	SZ	SZ
	C	SV	SV	SV	SV	SV	SV						
	B	SV	SV	SV	SV	SV	SV						
	A	SV	SV	SV	SV	SV	SV						
24S+6P	HD												HD

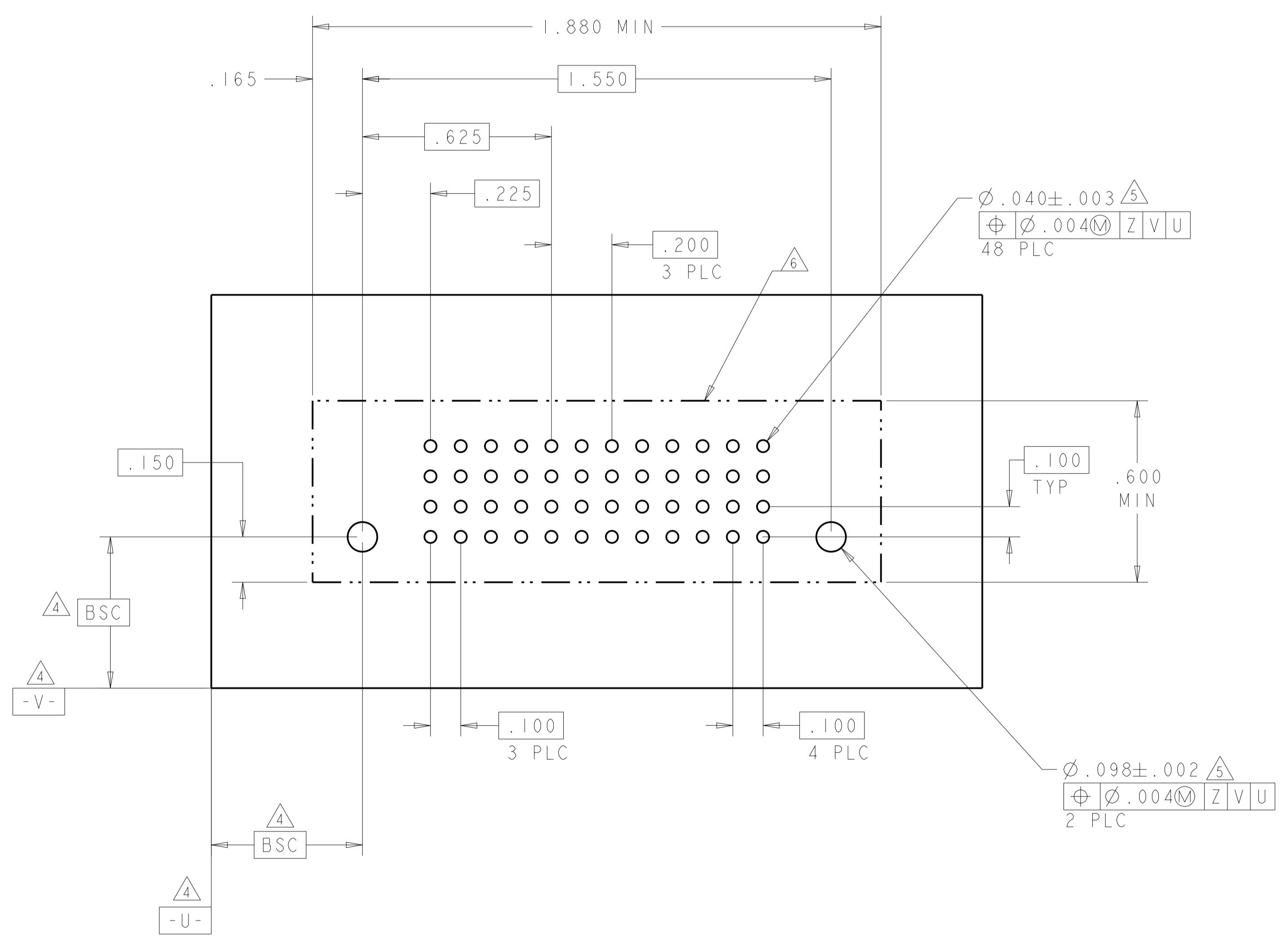
MATING SEQUENCE	DESCRIPTION	IDENTIFIER
-	RETENTION CLIP	HD
MLBF	SIGNAL CONTACT	SS
STANDARD	SIGNAL CONTACT	SV
-	POWER CONTACT	SZ

DIMENSIONS: INCH 		TOLERANCES UNLESS OTHERWISE SPECIFIED: 0 PLC ± 1 PLC ± 2 PLC ± 3 PLC ±0.005 4 PLC ± ANGLES ±		DWN D. RINGLER 06MAY2006 CHK M. PERCHERKE 06MAY2006 APVD M. PERCHERKE 06MAY2006 PRODUCT SPEC 108-1973 APPLICATION SPEC 114-13038 WEIGHT CUSTOMER DRAWING		Tyco Electronics Harrisburg, PA 17105-3608 NAME VERTICAL HEADER ASSEMBLY, W/GUIDES SOLDER TAIL, TYPE SP, MULTI-BEAM XL SIZE CAGE CODE DRAWING NO A1100779C=6600320 RESTRICTED TO	
SCALE 4:1		SHEET 2 OF 3		REV A2			

LOC	DIST	REVISIONS					
GP	00	P	LTH	DESCRIPTION	DATE	DWN	APVD
-	-	-	-	SEE SHEET 1	-	-	-

(A1)

PART NUMBER	ROWS	SIGNAL				POWER			
		1	2	3	4	P1	P2	P3	P4
6600320-4	D	SV	SV	SV	SV	SZ	SZ	SZ	SZ
	C	SV	SV	SV	SV				
	B	SV	SV	SV	SV				
	A	SV	SV	SV	SV				
16S + 4P									



<small>THIS DRAWING IS UNPUBLISHED. RELEASED FOR PUBLICATION BY TYCO ELECTRONICS CORPORATION. ALL RIGHTS RESERVED.</small>		DWN: D. RINGLER 06MAY2006 CHK: M. PERCHERKE 06MAY2006 APVD: M. PERCHERKE 06MAY2006		Tyco Electronics Harrisburg, PA 17105-3608	
DIMENSIONS: INCH		TOLERANCES UNLESS OTHERWISE SPECIFIED: 0 PLC ± 1 PLC ± 2 PLC ± 3 PLC ±0.005 4 PLC ± ANGLES ±		NAME: VERTICAL HEADER ASSEMBLY, W/GUIDES SOLDER TAIL, TYPE SP, MULTI-BEAM XL	
MATERIAL: - FINISH: -		WEIGHT: - CUSTOMER DRAWING		SIZE: A1 CAGE CODE: 100779 DRAWING NO: 6600320 RESTRICTED TO: -	
		SCALE: 4:1		SHEET 3 OF 3 REV: A2	

# Mouser Electronics

Authorized Distributor

Click to View Pricing, Inventory, Delivery & Lifecycle Information:

[TE Connectivity:](#)

[6600320-3](#)