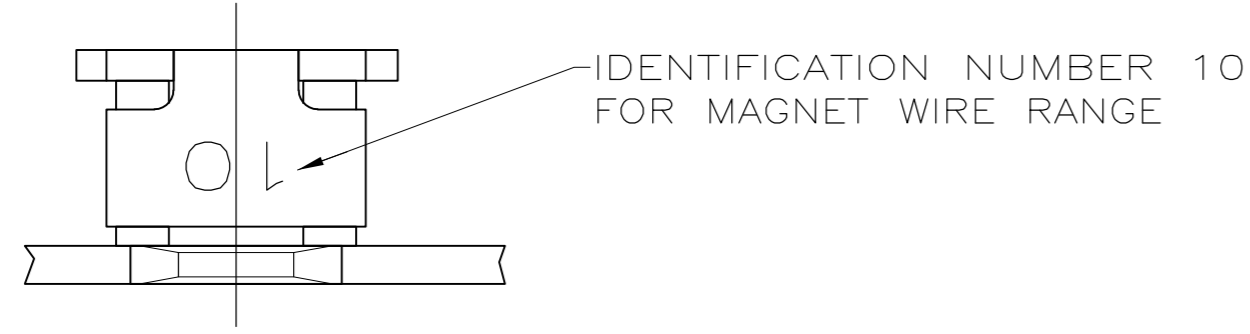
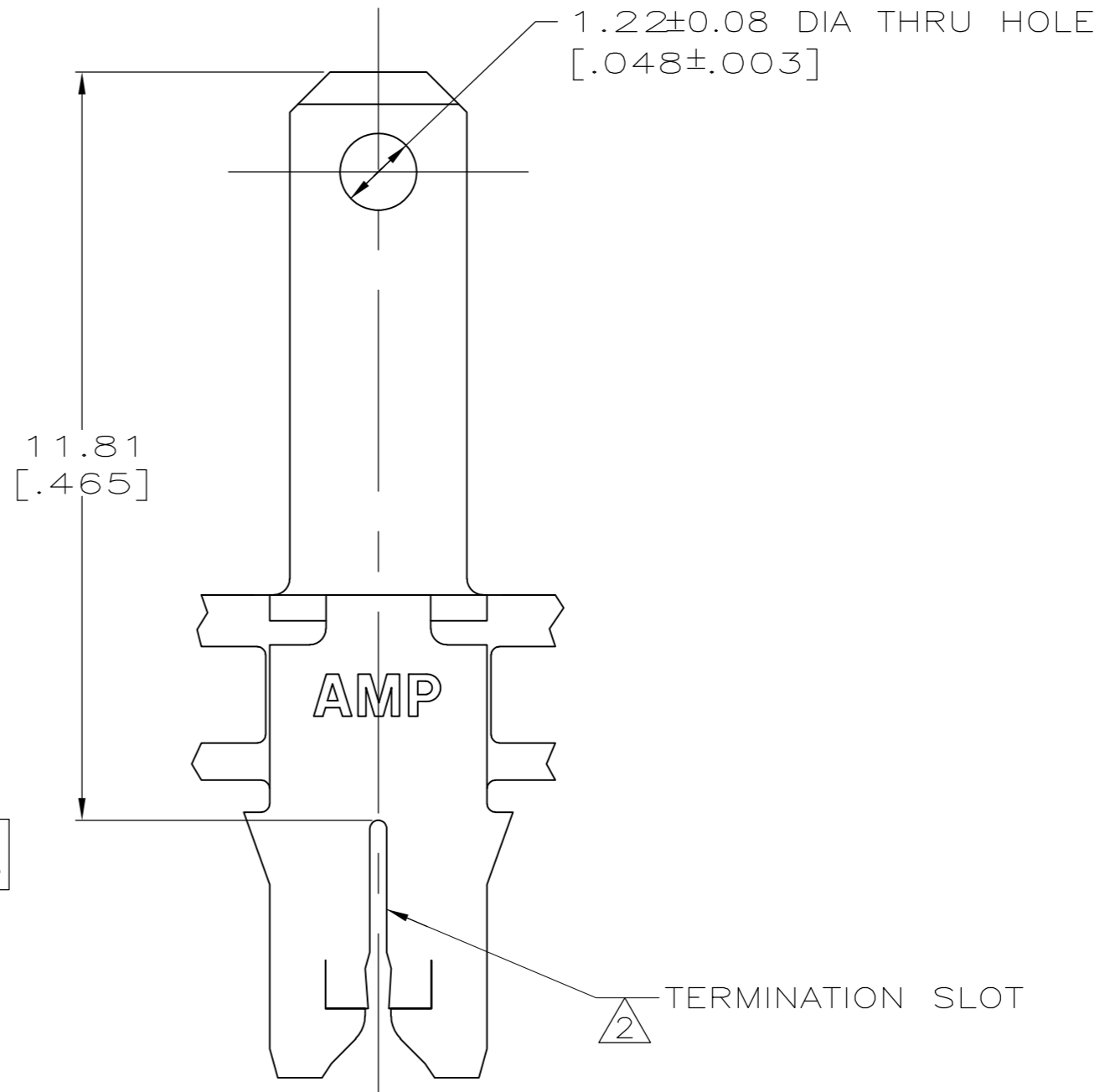
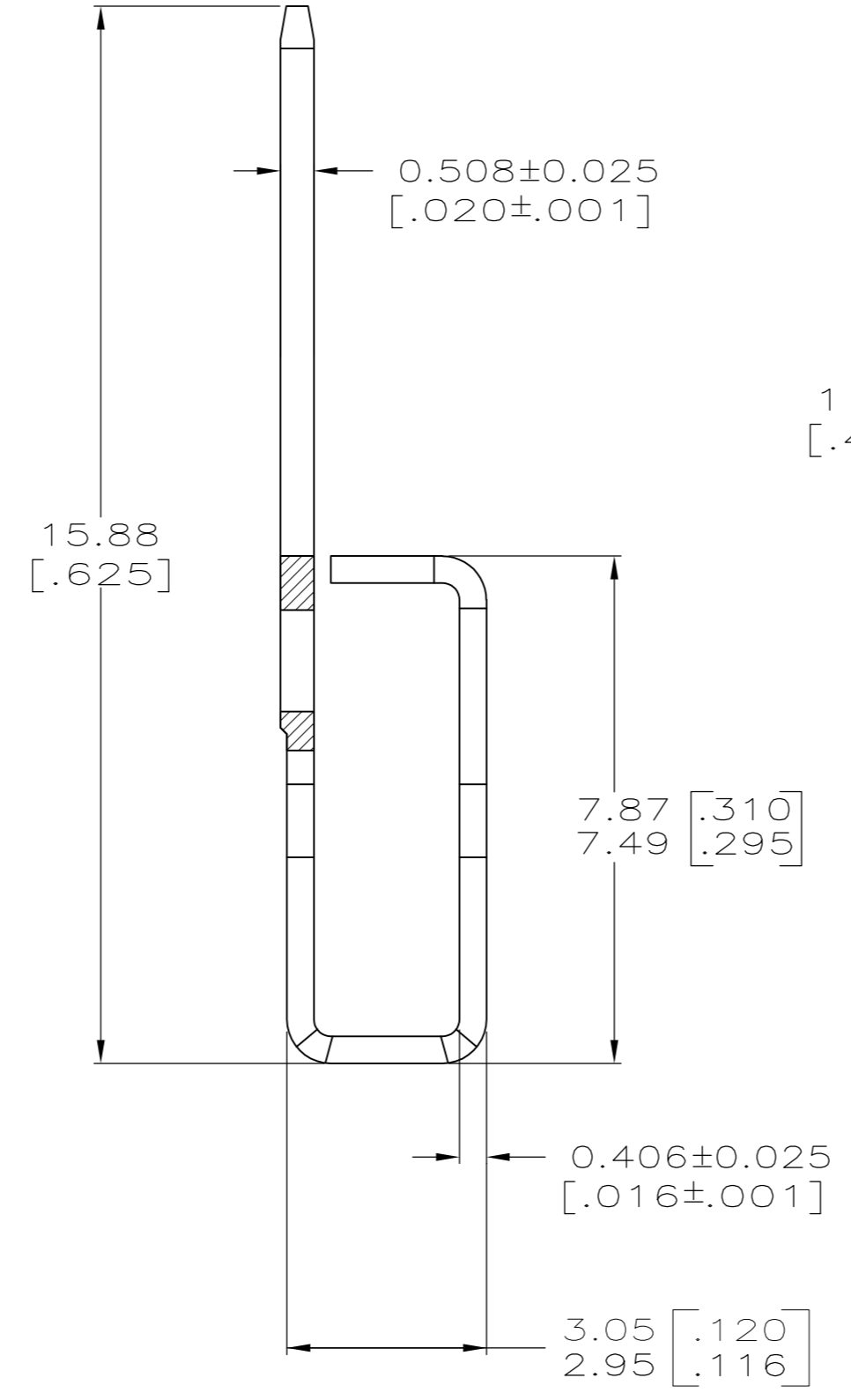
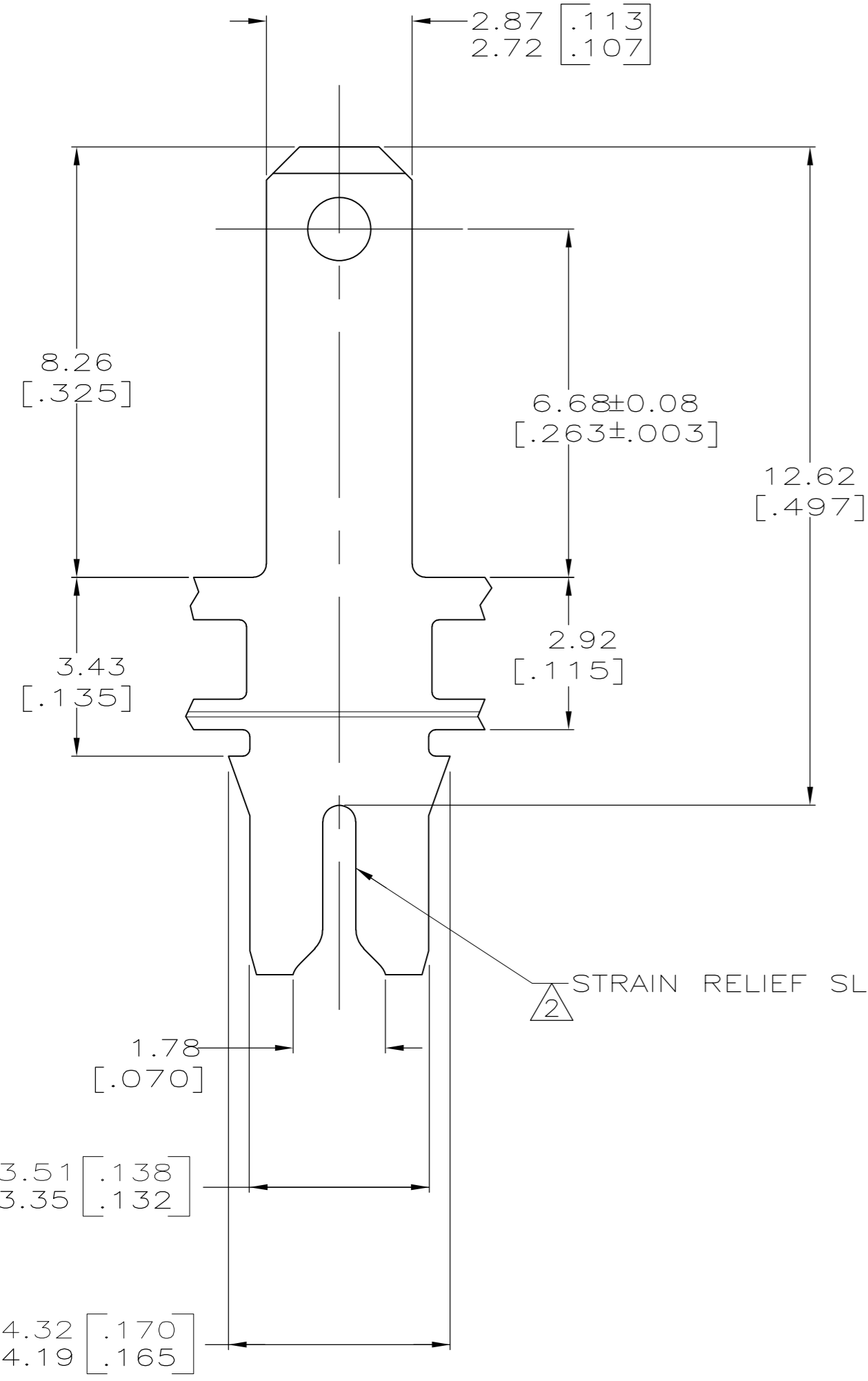


THIS DRAWING IS UNPUBLISHED. RELEASED FOR PUBLICATION
 © COPYRIGHT - TE Connectivity Ltd. ALL RIGHTS RESERVED.

REVISIONS				
P	LTR	DESCRIPTION	DATE	APVD
B2		REVISED PER ECR-18-018655	11DEC2018	BW SV



1 CONTINUOUS STRIP ON REELS WITH TERMINALS LOCATED ON 5.59±0.08 [.220±.003] CENTERS.
 2 SLOT TERMINATES A SINGLE OR DOUBLE MAGNET WIRE. COPPER RANGE: 0.36-0.57mm [#27-#23] AWG. ALUMINUM RANGE: 0.51-0.64mm [#24-#22] AWG. ALUMINUM WIRE RANGE APPLIES FOR POST-TIN PLATED VERSIONS ONLY.



63827-1
 PART NO.

THIS DRAWING IS A CONTROLLED DOCUMENT.		DWN R.GRZYBOWSKI 10/FEB/95	TE TE Connectivity Ltd.	
DIMENSIONS: MM [INCHES]		CHK PHILLIP M. FORTNEY 10/FEB/95		
TOLERANCES UNLESS OTHERWISE SPECIFIED:		APVD MS.FEHER 10/FEB/95	NAME	
0 PLC ± -		PRODUCT SPEC 108-2012	TERMINAL, TAB, 2.79 [.110] FASTON, MAG-MATE	
1 PLC ± -		APPLICATION SPEC 114-2046	SIZE A2	CAGE CODE 00779
2 PLC ± 0.25 [.010]		WEIGHT -	DRAWING NO C=63827	RESTRICTED TO -
3 PLC ± -		FINISH TIN PLATE	SCALE 10:1	SHEET 1 of 1
4 PLC ± -			REV B2	
ANGLES ± -				
MATERIAL 4M PRE-MILLED BRASS				

Mouser Electronics

Authorized Distributor

Click to View Pricing, Inventory, Delivery & Lifecycle Information:

[TE Connectivity:](#)

[63827-1](#)