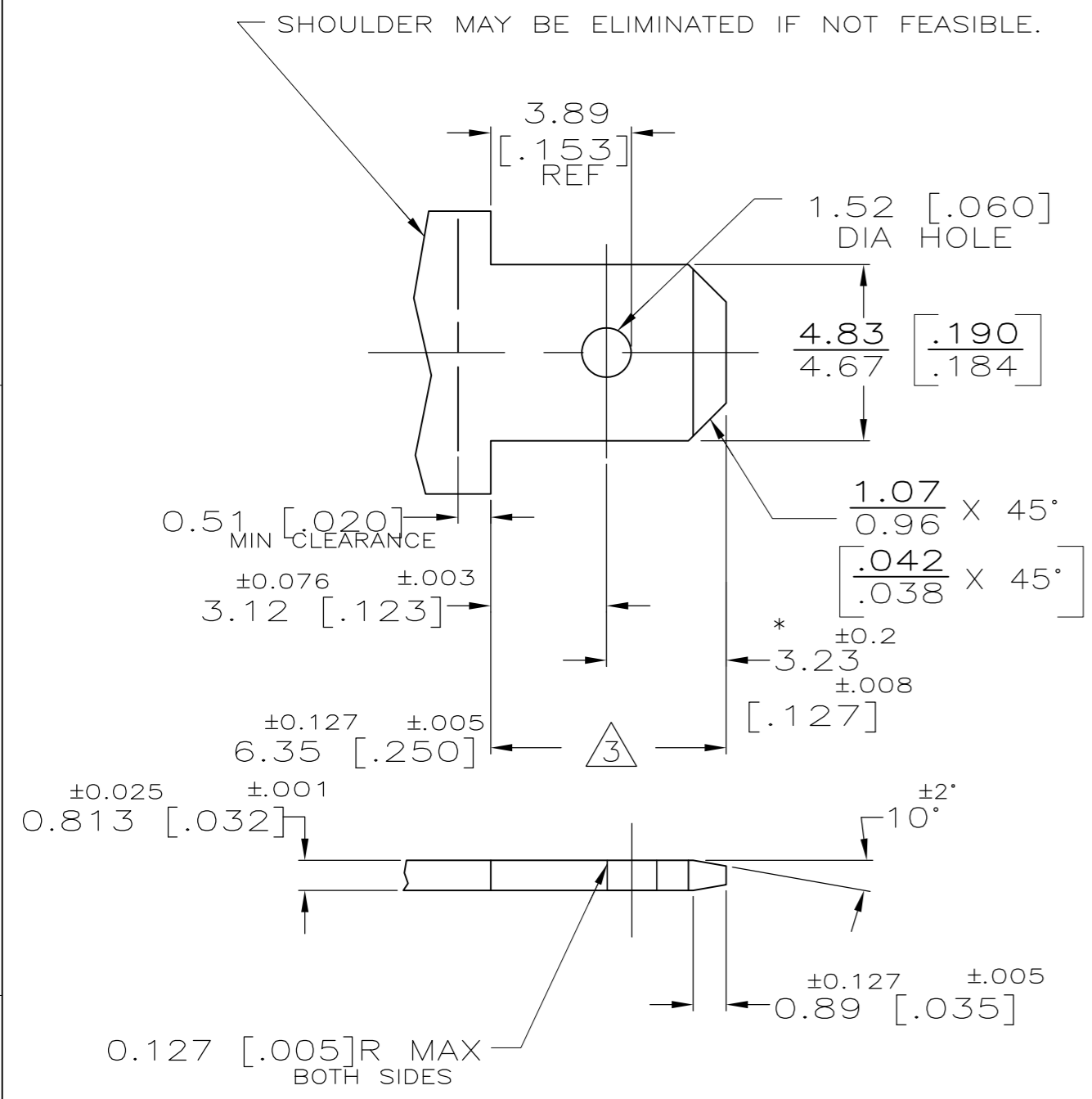
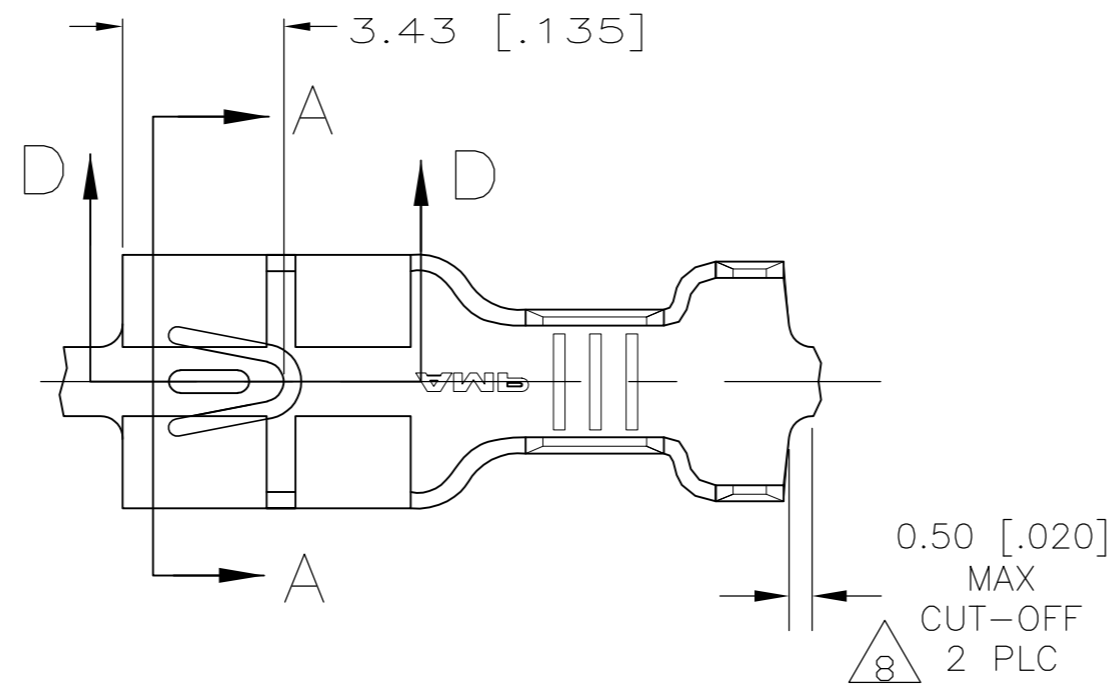


LOC	DIST	REVISIONS					
AF	50	P	LTR	DESCRIPTION	DATE	DWN	APVD
		M7		REV PER ECO 13-001821	31JAN13	JR	PD

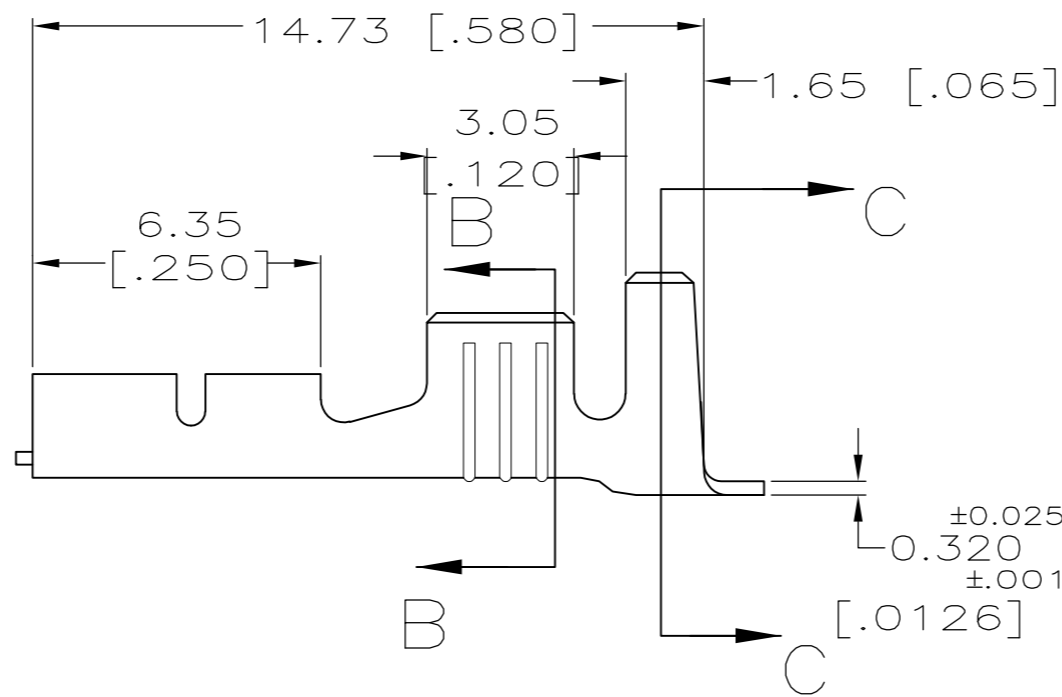
SUGGESTED MATING TAB



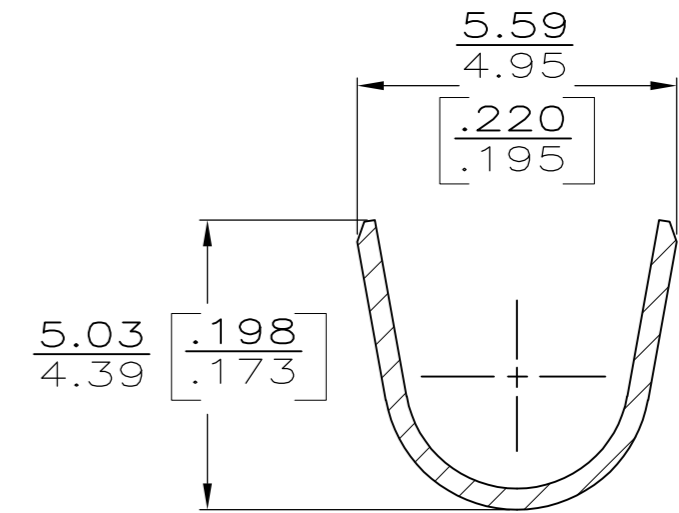
- 1 - MATL: 1/2H BRASS OR NICKEL PL STEEL.
- 2 - NO BURRS PERMISSIBLE AT HOLE.
- 3 - MUST BE FLAT WITHIN 0.076 [.003] OVER THIS LENGTH.
- 4 - HOLE MUST BE SYMMETRICAL ABOUT TAB Q WITHIN 0.076 [.003]
- * TO BE USED ONLY WHEN SHOULDER IS ELIMINATED.



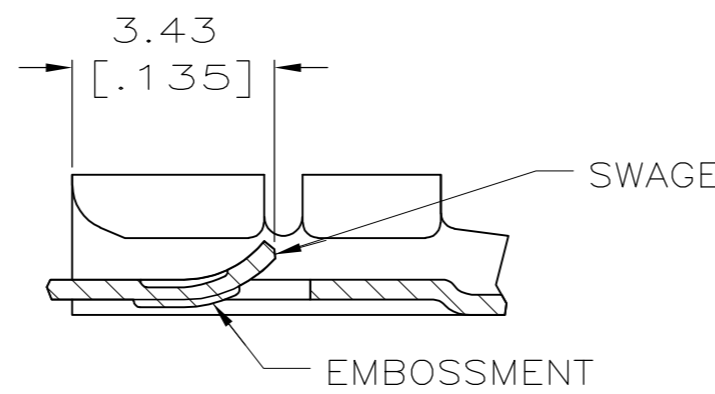
SECTION A-A SCALE 8:1



SECTION B-B SCALE 8:1



SECTION C-C SCALE 8:1



SECTION D-D SCALE 8:1

7	LOOSE PIECE	8	BRASS	9	1-63606-6
7	LOOSE PIECE	---	BRASS	9	1-63606-5
7	LOOSE PIECE	2	BRASS	9	1-63606-4
		8	BRASS	9	63606-6
		---	BRASS		63606-5
		2	BRASS		63606-4
		2	#4 PHOS BRONZE	4	63606-3
					63606-2
					63606-1
	F2DU14474AA				
	FORD P/N	FINISH	MATERIAL		PART NO.

F	4.57 [.180]	4.78 [.188]	F	2.29 [.090]	1.85 [.073]	2.0mm ² [14]
					1.57 [.062]	1.3mm ² [16]
					1.40 [.055]	0.8mm ² [18]
					±0.051 [±.002]	WIRE HEIGHT
					±0.38 [±.015]	
	TYPE	WIDTH	TYPE	WIDTH		
	INSUL BARREL CRIMP		WIRE BARREL CRIMP			

THIS DRAWING IS A CONTROLLED DOCUMENT.		DWN	JR RUTH	2/25/91		TE Connectivity																
DIMENSIONS: MM [INCHES]		CHK	MS FEHER	2/25/91																		
TOLERANCES UNLESS OTHERWISE SPECIFIED:		APVD	J GILLESPIE	2/25/91																		
<table border="1"> <tr><td>0 PLC</td><td>±</td><td>-</td></tr> <tr><td>1 PLC</td><td>±</td><td>-</td></tr> <tr><td>2 PLC</td><td>±</td><td>-</td></tr> <tr><td>3 PLC</td><td>±</td><td>0.25 [.010]</td></tr> <tr><td>4 PLC</td><td>±</td><td>-</td></tr> <tr><td>ANGLES</td><td>±</td><td>-</td></tr> </table>		0 PLC	±	-			1 PLC	±	-	2 PLC	±	-	3 PLC	±	0.25 [.010]	4 PLC	±	-	ANGLES	±	-	NAME
0 PLC	±	-																				
1 PLC	±	-																				
2 PLC	±	-																				
3 PLC	±	0.25 [.010]																				
4 PLC	±	-																				
ANGLES	±	-																				
MATERIAL	SEE TABLE	FINISH	SEE TABLE	WEIGHT	-	SIZE	CAGE CODE	DRAWING NO	RESTRICTED TO													
						A2	00779	C=63606	-													
CUSTOMER DRAWING					SCALE	6:1	SHEET	1 of 1	REV	M7												

Mouser Electronics

Authorized Distributor

Click to View Pricing, Inventory, Delivery & Lifecycle Information:

[TE Connectivity:](#)

[1-63606-5](#)