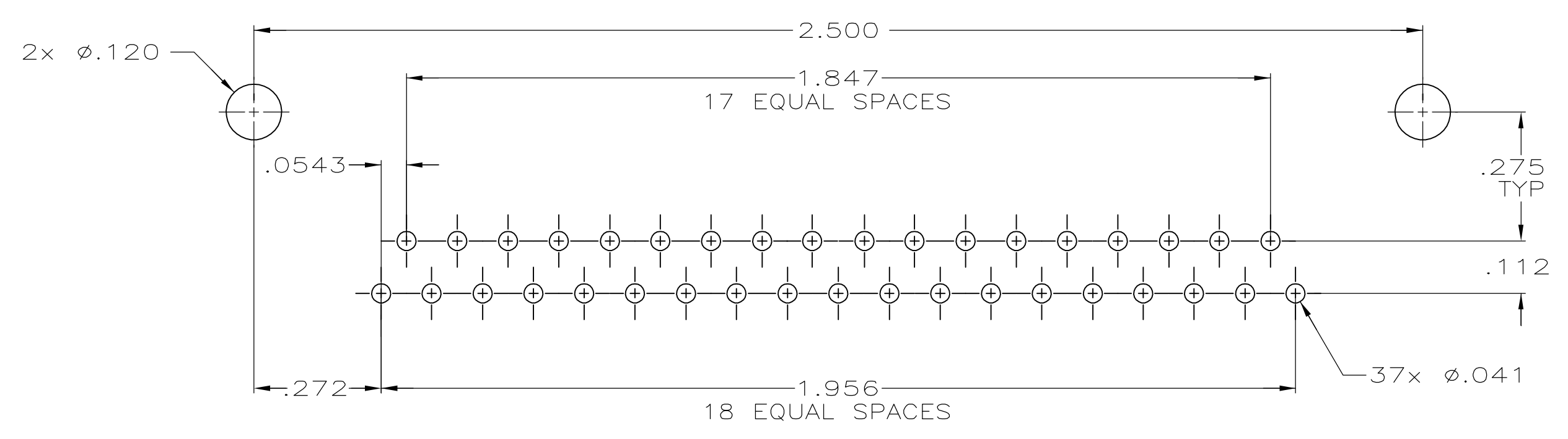
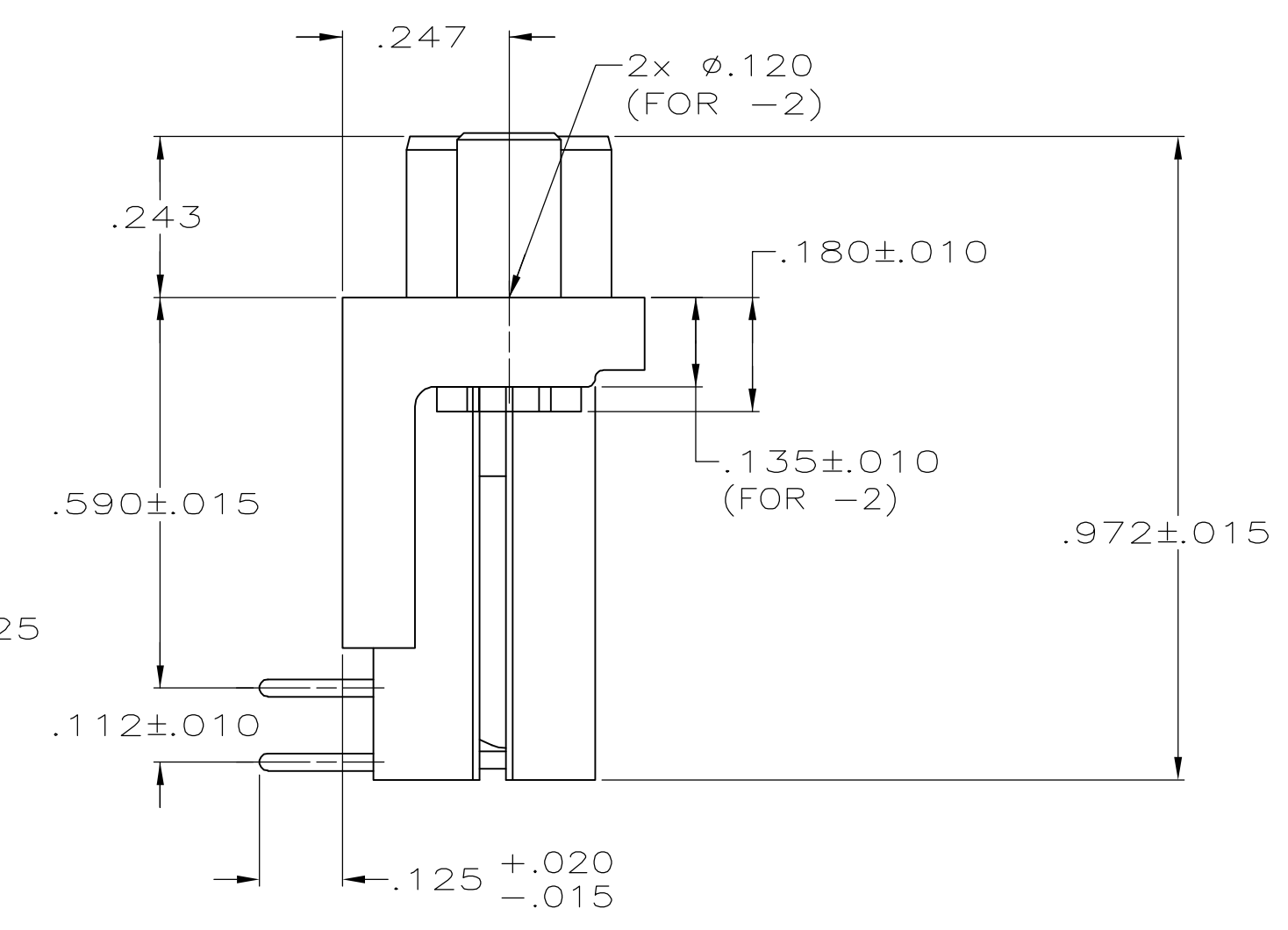
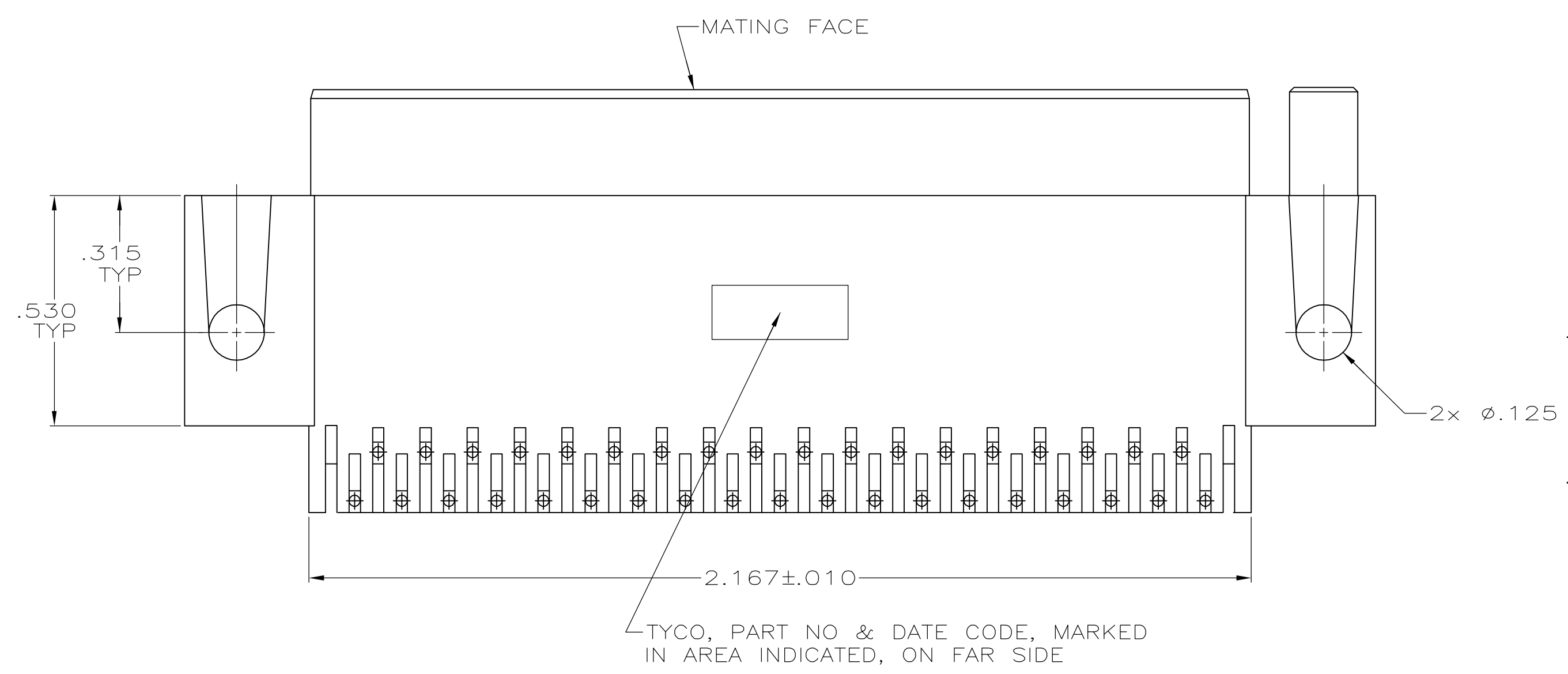


- 1 HOUSING: FLAME RETARDANT, 94V-0 RATED, GLASS FILLED, NYLON OR POLYESTER, COLOR: BLACK  
CONTACTS: PHOS BRONZE.  
INSERTS & SCREWLOCKS: ZINC.
- 2 REFER TO APPLICATION SPEC FOR RECOMMENDED P.C. BOARD MOUNTING DIMENSIONS FOR AUTOMATIC INSERTION.
- 3 CONTACTS: PLATED WITH .000030 MIN GOLD FOR LENGTH OF .055 MIN FROM MATING END, .000100 MIN TIN ON SOLDER END, ALL OVER .000050 MIN NICKEL ON ENTRIE CONTACT.  
INSERTS & SCREWLOCKS: CLEAR CHROMATE COATING.



RECOMMENDED P.C. BOARD MOUNTING DIMENSIONS

**COPYRIGHT 2005  
 TYCO ELECTRONICS CORP  
 ALL RIGHTS RESERVED**

WITH SCREWLOCKS	5747462-6
WITH INSERTS	5747462-4
WITH .120 DIA HOLE	5747462-2
REMARKS	PART NUMBER

THIS DRAWING IS A CONTROLLED DOCUMENT.		DWN G. PETERS	16SEP05		Tyco Electronics Corporation Harrisburg, PA 17105-3608	
DIMENSIONS: INCHES		CHK S. BOLASH	16SEP05		APVD M. WALMSLEY	16SEP05
TOLERANCES UNLESS OTHERWISE SPECIFIED:		0 PLC ± -		RECEPTACLE ASSY, SIZE 4, 37 POSN, RIGHT ANGLE, .590 SERIES, .026 DIA POSTS, AMPLIMITE HD-20		
		1 PLC ± -		PRODUCT SPEC		
		2 PLC ± -		108-40025		
		3 PLC ± .005		APPLICATION SPEC		
		4 PLC ± -		114-40015		
		ANGLES ± z		SIZE		
MATERIAL		FINISH		WEIGHT		RESTRICTED TO
				A1 00779 ©=5747462		
CUSTOMER DRAWING				SCALE	SHEET	REV
				4:1	1 OF 1	0

# Mouser Electronics

Authorized Distributor

Click to View Pricing, Inventory, Delivery & Lifecycle Information:

[TE Connectivity:](#)

[5747462-6](#)