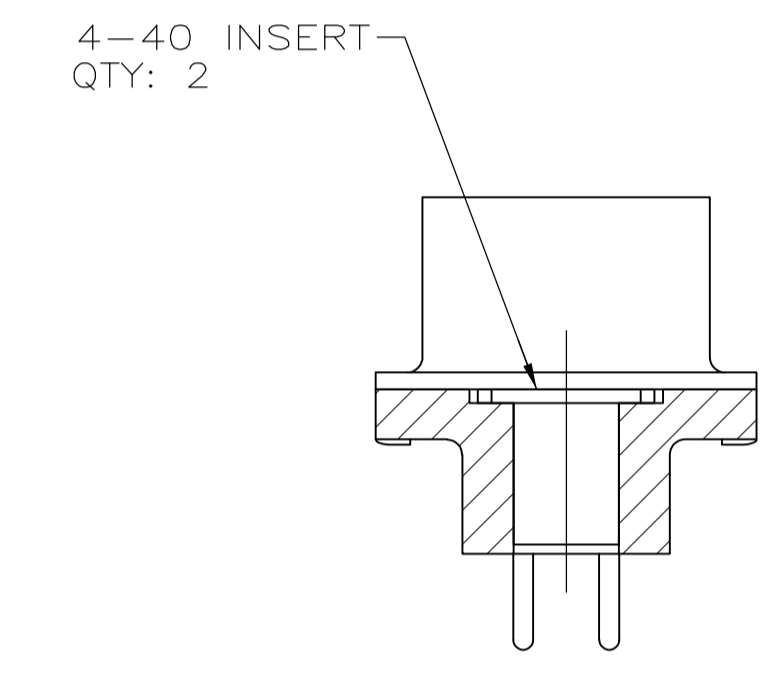
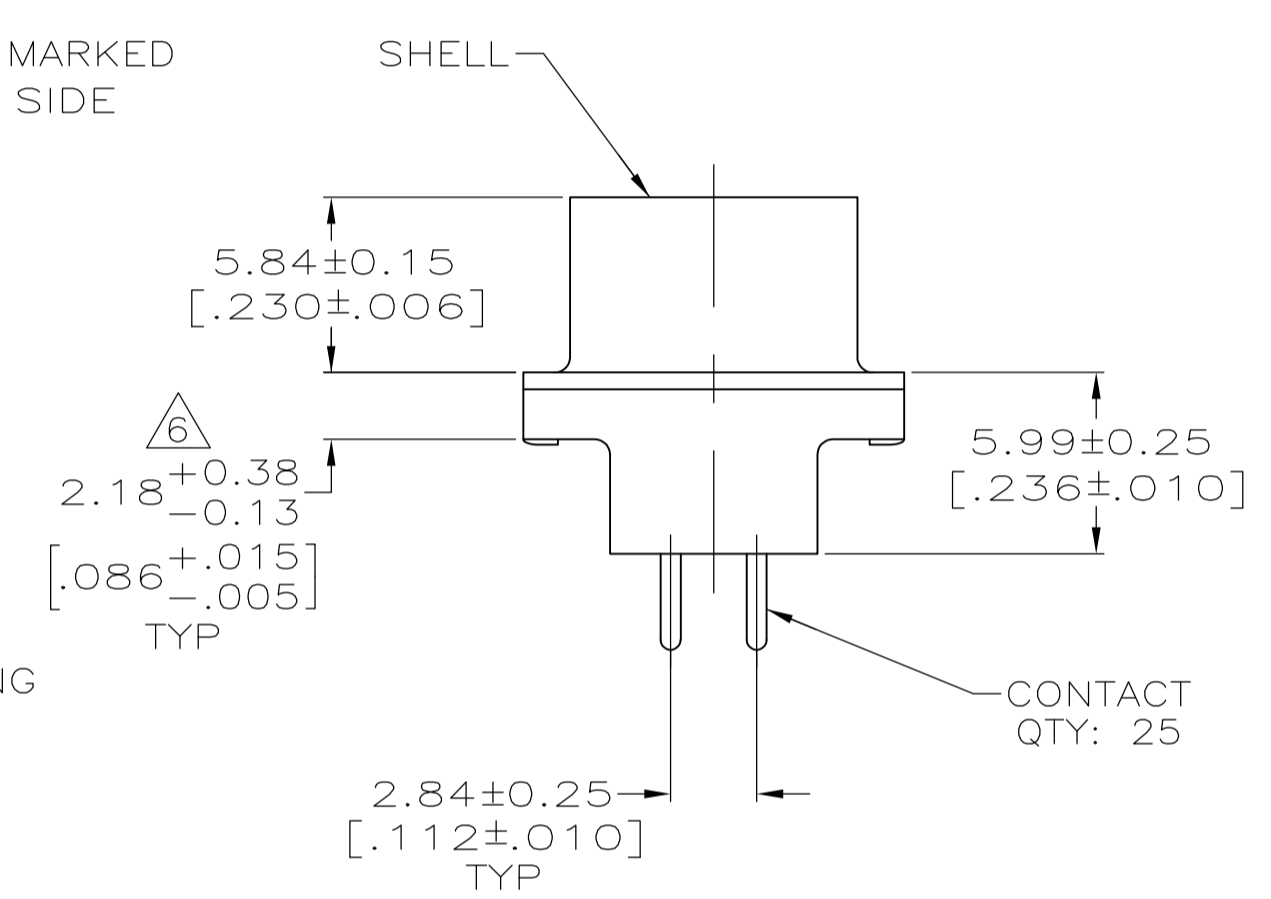
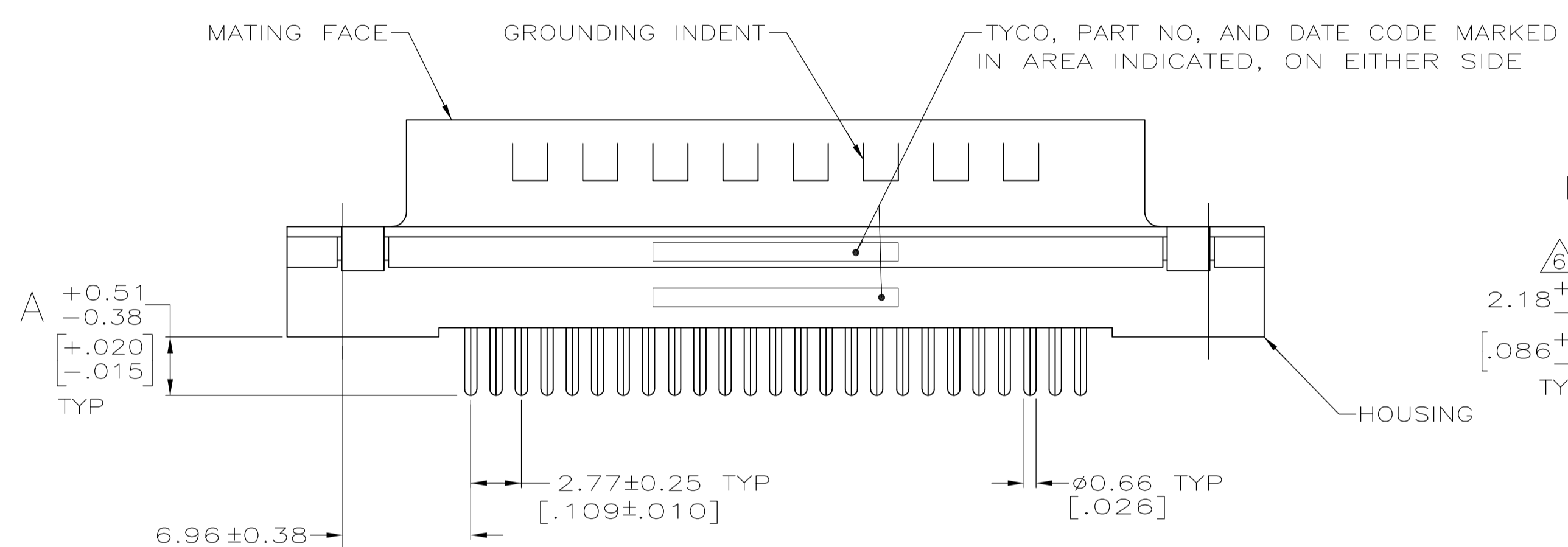
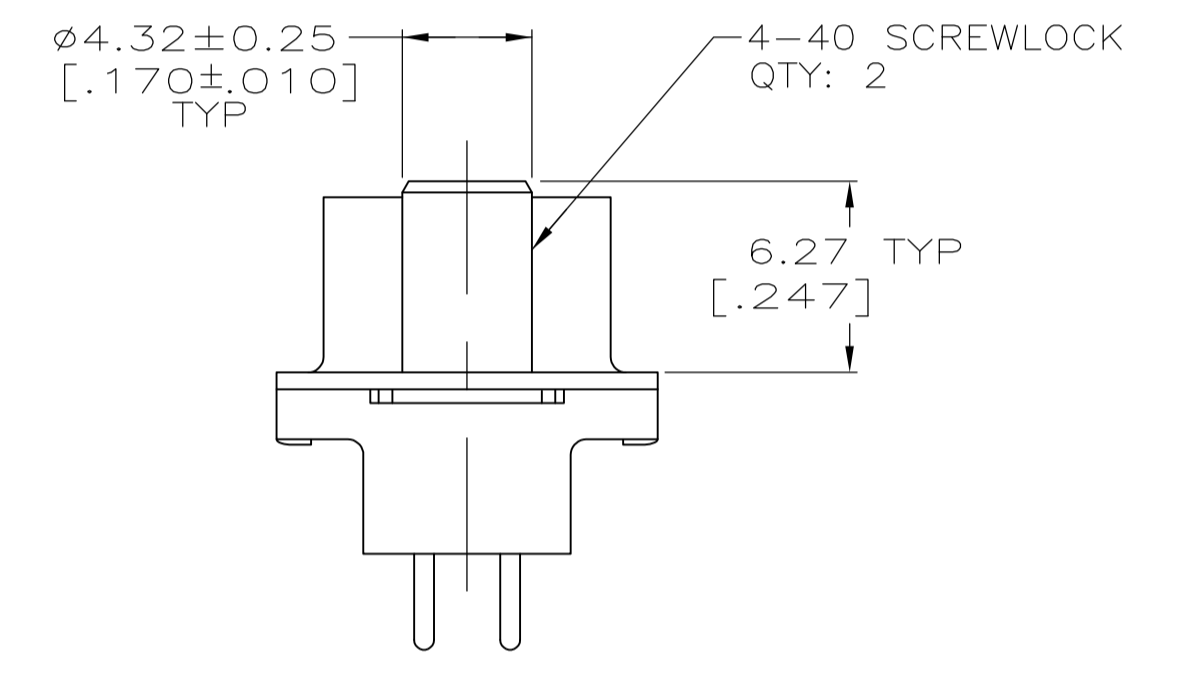


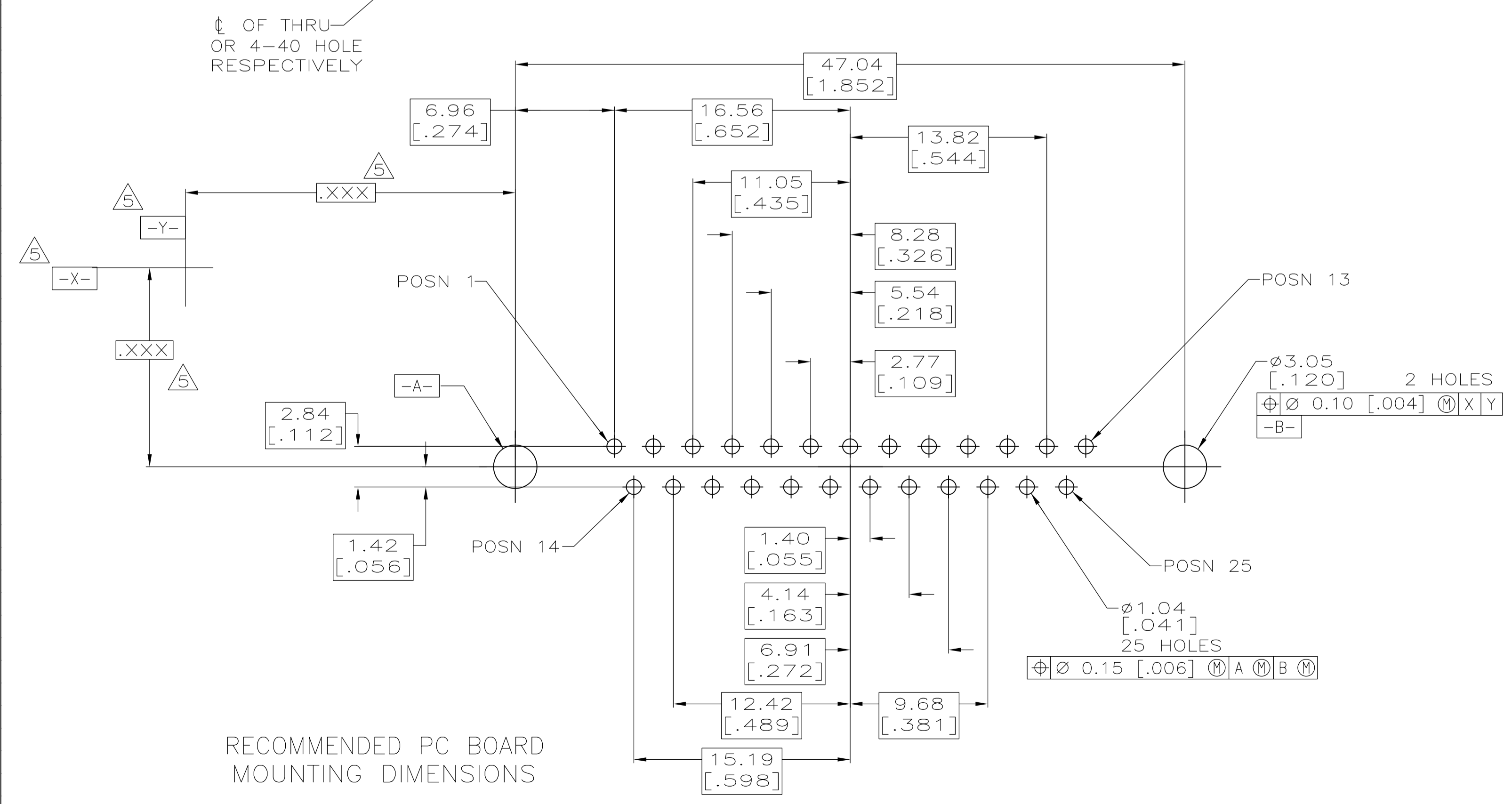
- ① HOUSING: BLACK POLYESTER, UL 94V-0 RATED.
SHELL: CARBON STEEL.
CONTACTS: BRASS,
INSERTS: BRASS.
SCREWLOCKS: ZINC.
- ② SHELL: 5.08µm [.000200] MIN TIN OVER 1.27µm [.000050] MIN COPPER.
CONTACTS: SEE TABLE.
INSERTS: UNPLATED.
SCREWLOCKS: CLEAR CHROMATE.
- ③ GOLD PLATED FOR A LENGTH OF 3.81 [.150] MIN FROM MATING END, GOLD FLASH IN MATED AREA, 2.54µm [.000100] MIN TIN FOR A LENGTH OF DIMENSION A FROM OPPOSITE END, ALL OVER 1.27µm [.000050] MIN NICKEL.
- ④ GOLD PLATED FOR A LENGTH OF 3.81 [.150] MIN FROM MATING END, 0.76µm [.000030] MIN GOLD IN MATED AREA, 2.54µm [.000100] MIN TIN FOR A LENGTH OF DIMENSION A FROM OPPOSITE END, ALL OVER 1.27µm [.000050] MIN NICKEL.
-OR-
GOLD FLASH OVER PALLADIUM NICKEL PLATED FOR A LENGTH OF 3.81 [.150] MIN FROM MATING END, 0.76µm [.000030] MIN PALLADIUM NICKEL IN MATED AREA, 2.54µm [.000100] MIN TIN FOR A LENGTH OF DIMENSION A FROM OPPOSITE END, ALL OVER 1.27µm [.000050] MIN NICKEL.
- ⑤ DATUMS AND BASIC DIMENSIONS ESTABLISHED BY CUSTOMER.
- ⑥ 2.79 [.110] MAX IN SHELL TAB CLINCH AREAS.



DETAIL D



DETAIL E



RECOMMENDED PC BOARD MOUNTING DIMENSIONS

4.32 [.170]	4-40 SCREWLOCK (DETAIL E)	④	1-5745968-6
4.32 [.170]	4-40 SCREWLOCK (DETAIL E)	③	1-5745968-5
3.18 [.125]	4-40 SCREWLOCK (DETAIL E)	④	1-5745968-4
3.18 [.125]	4-40 SCREWLOCK (DETAIL E)	③	1-5745968-3
3.18 [.125]	4-40 INSERT (DETAIL D)	④	5745968-8
3.18 [.125]	4-40 INSERT (DETAIL D)	③	5745968-7
4.32 [.170]	-	④	5745968-4
3.18 [.125]	-	④	5745968-2
A	MOUNTING HARDWARE	CONTACT FINISH	PART NO

THIS DRAWING IS A CONTROLLED DOCUMENT.

DIMENSIONS: MM(INCHES)	TOLERANCES UNLESS OTHERWISE SPECIFIED:	DIN B LATTUCA 20SEPT05	TE Connectivity
0 PLC ± -	1 PLC ± -	CIK J. GRACE 20SEPT05	NAME M. WALMSLEY 20SEPT05
2 PLC ± 0.13 [.005]	3 PLC ± -	APVD M. WALMSLEY 20SEPT05	PRODUCT SPEC 108-40025
4 PLC ± -	ANGLES ± -	APPLICATION SPEC 114-40023	SIZE 108-40025
MATERIAL ①	FINISH ②	WEIGHT -	SCALE 4:1
CUSTOMER DRAWING		SIZE 108-40023	RESTRICTED TO
		WEIGHT -	SCALE 4:1
		SIZE 108-40023	SHEET 1 OF 1
		WEIGHT -	REV B1

Mouser Electronics

Authorized Distributor

Click to View Pricing, Inventory, Delivery & Lifecycle Information:

[TE Connectivity:](#)

[1-5745968-4](#)