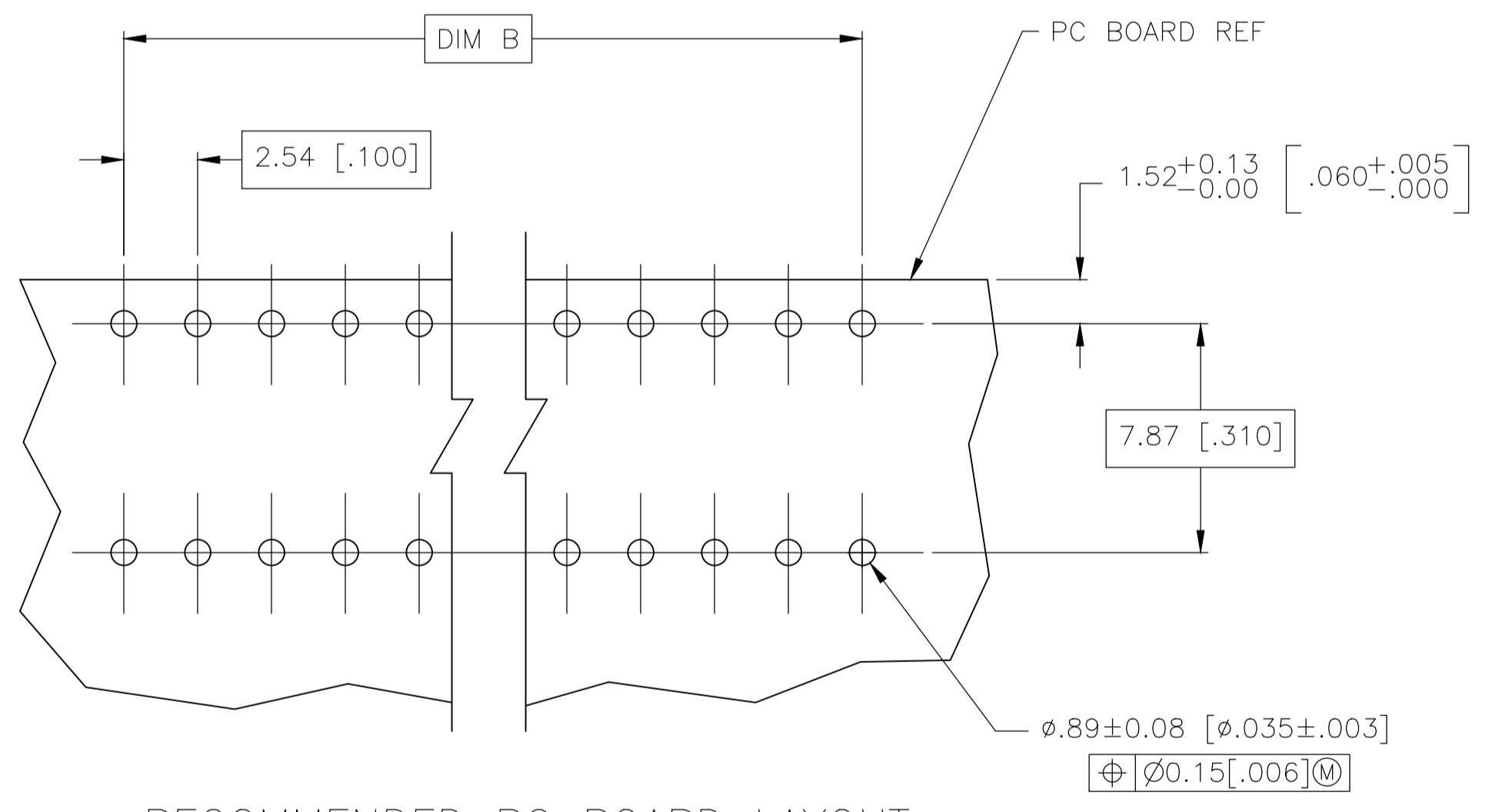
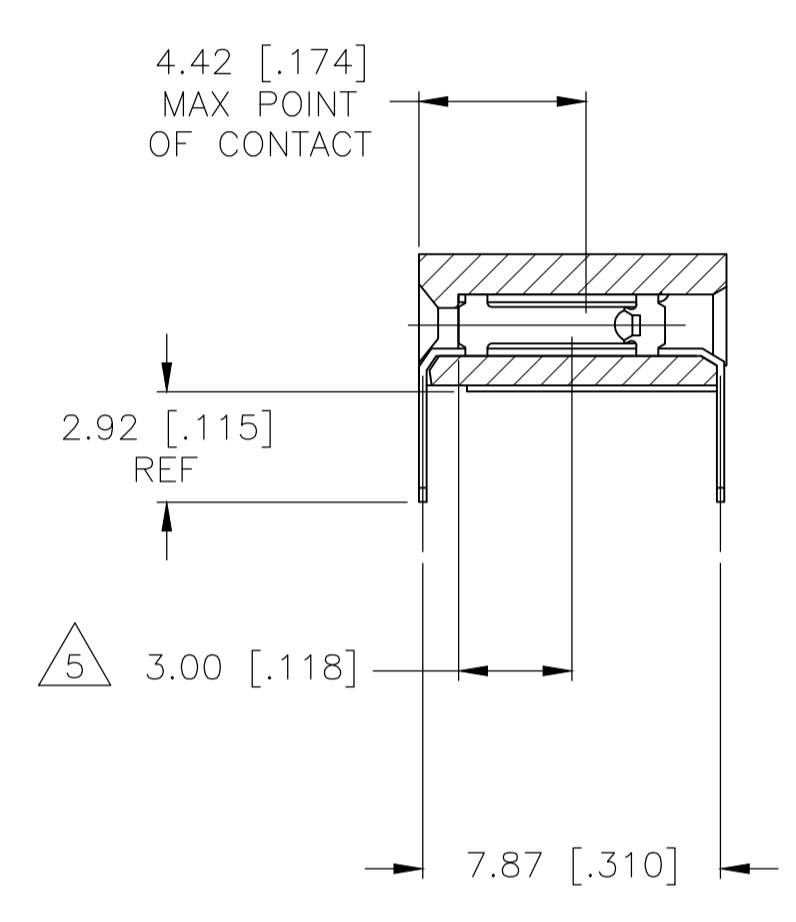
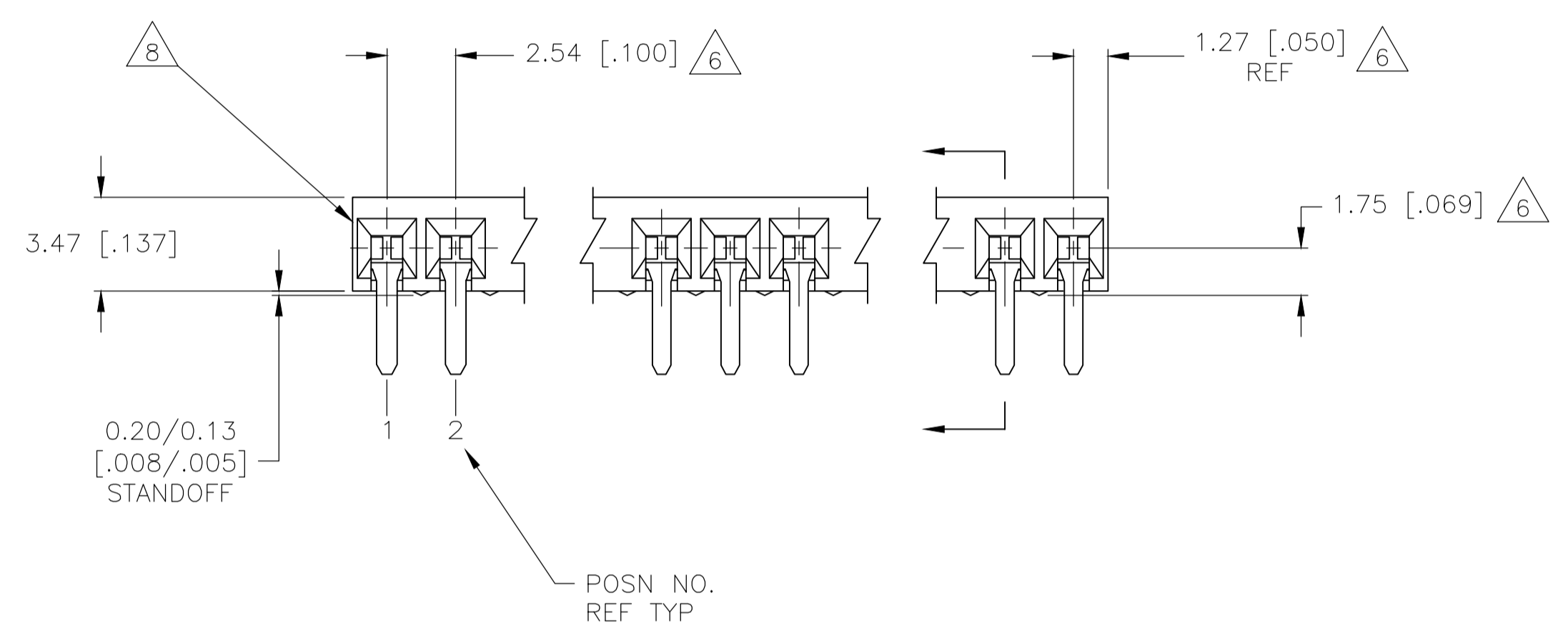
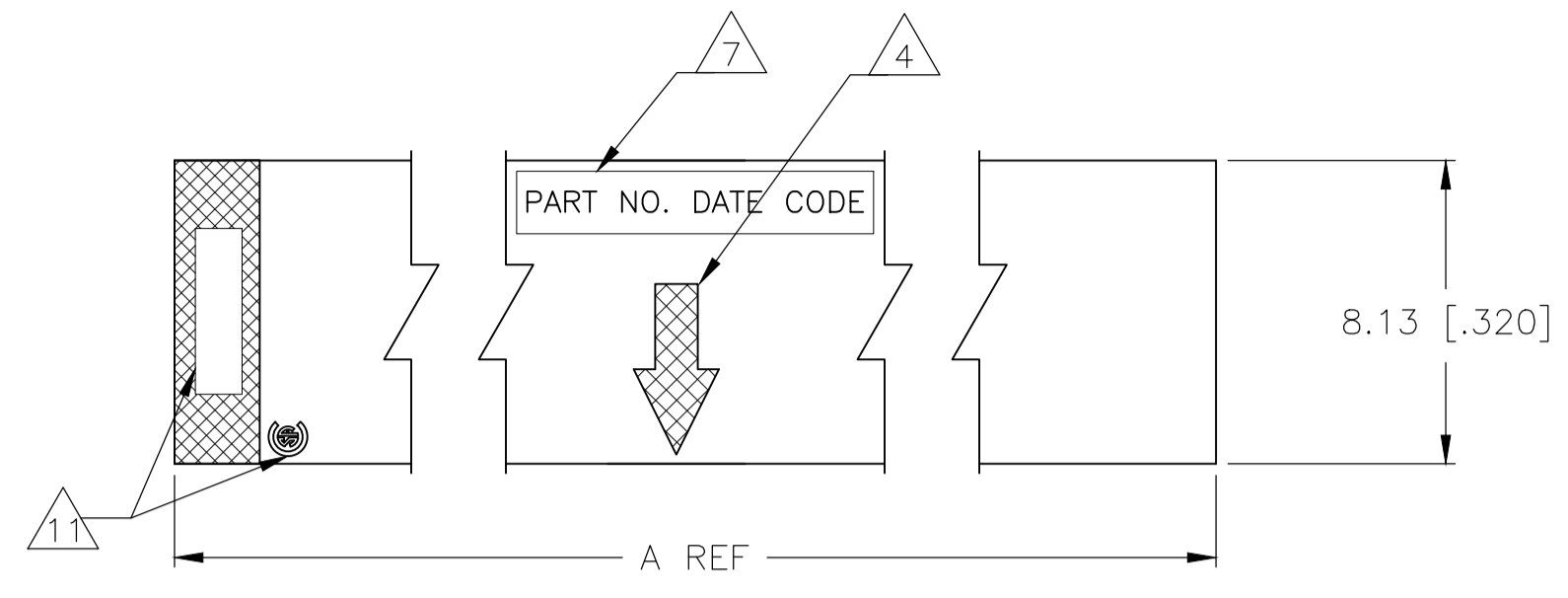


REVISIONS				
P	LTR	DESCRIPTION	DATE	BY
A6		NEW PN 7-5535676-2 ADDED	01NOV2020	DV



RECOMMENDED PC BOARD LAYOUT

- 1 HOUSING MATERIAL: GLASS FILLED POLYESTER, COLOR- BLACK
- 2 CONTACT MATERIAL: PHOSPHOR BRONZE
- 3 CONTACT FINISH: 0.00076[.000030] THK DUPLEX PLATED GOLD ON CONTACT AREA, 3.81-7.62(.000150-.000300) MATTE TIN ALL OVER 0.00127[.000050] MIN NICKEL
- 4 MOLDED IN ARROW DESIGNATES THE MATING FACE OF THE CONNECTOR
- 5 POINT OF MEASUREMENT FOR PLATING THICKNESS OF CONTACT AREA
- 6 DIMENSIONS PERTAIN TO HOUSING CAVITY CENTERLINES
- 7 PART NUMBER AND DATE CODE MARKED IN APPROXIMATE LOCATION SHOWN,EITHER END
- 8 ALTERNATE LOCATION FOR DATE CODE FOR 2 AND 3 POSITION.
- 9 NO PART NUMBER MARKING REQUIRED FOR THIS PART.
- 10 ROHS 2002/95/EC COMPLIANT.
- 11 TE LOGO AND CSA LOGO ARE MOLDED INTO HOUSING, THIS LOCATION
- 12 CONTACT IN POSITION 2 OMITTED

NO. OF POSN	ASSEMBLY PART NUMBER
30.48[1.200]	7-5535676-2
162.56[6.400]	6-5535676-4
160.02[6.300]	6-5535676-3
157.48[6.200]	6-5535676-2
154.94[6.100]	6-5535676-1
152.40[6.000]	6-5535676-0
149.86[5.900]	5-5535676-9
147.32[5.800]	5-5535676-8
144.78[5.700]	5-5535676-7
139.70[5.500]	5-5535676-6
139.70[5.500]	5-5535676-5
137.16[5.400]	5-5535676-4
134.62[5.300]	5-5535676-3
132.08[5.200]	5-5535676-2
129.54[5.100]	5-5535676-1
127.00[5.000]	5-5535676-0
124.46[4.900]	4-5535676-9
121.92[4.800]	4-5535676-8
119.38[4.700]	4-5535676-7
116.84[4.600]	4-5535676-6
114.30[4.500]	4-5535676-5
111.76[4.400]	4-5535676-4
109.22[4.300]	4-5535676-3
106.68[4.200]	4-5535676-2
104.14[4.100]	4-5535676-1
101.16[4.000]	4-5535676-0
99.06[3.900]	3-5535676-9
96.52[3.800]	3-5535676-8
93.98[3.700]	3-5535676-7
91.44[3.600]	3-5535676-6
88.90[3.500]	3-5535676-5
86.36[3.400]	3-5535676-4
83.82[3.300]	3-5535676-3
81.28[3.200]	3-5535676-2
78.74[3.100]	3-5535676-1
76.20[3.000]	3-5535676-0
73.66[2.900]	2-5535676-9
71.12[2.800]	2-5535676-8
68.58[2.700]	2-5535676-7
66.04[2.600]	2-5535676-6
63.50[2.500]	2-5535676-5
60.96[2.400]	2-5535676-4
58.42[2.300]	2-5535676-3
55.88[2.200]	2-5535676-2
53.34[2.100]	2-5535676-1
50.80[2.000]	2-5535676-0
48.26[1.900]	1-5535676-9
45.72[1.800]	1-5535676-8
43.18[1.700]	1-5535676-7
40.64[1.600]	1-5535676-6
38.10[1.500]	1-5535676-5
35.56[1.400]	1-5535676-4
33.02[1.300]	1-5535676-3
30.48[1.200]	1-5535676-2
27.94[1.100]	1-5535676-1
25.40[1.000]	1-5535676-0
22.86[.900]	5535676-9
17.78[.700]	5535676-8
17.78[.700]	5535676-7
15.24[.600]	5535676-6
12.70[.500]	5535676-5
10.16[.400]	5535676-4
7.62[.300]	5535676-3
5.08[.200]	5535676-2
2.54[.100]	5535676-1

THIS DRAWING IS A CONTROLLED DOCUMENT. D5NDV04

TE Connectivity

AMPMDU MODII RECP. ASSY., HORIZ., .100CL, 1 ROW CLOSED ENTRY, SPOC, END STACK

SIZE: A1 CASE CODE: 00779 DRAWING NO: 5535676

CUSTOMER DRAWING SCALE: 5:1 SHEET: 1 OF 1 REV: A6

# Mouser Electronics

Authorized Distributor

Click to View Pricing, Inventory, Delivery & Lifecycle Information:

[TE Connectivity:](#)

[5535676-5](#)