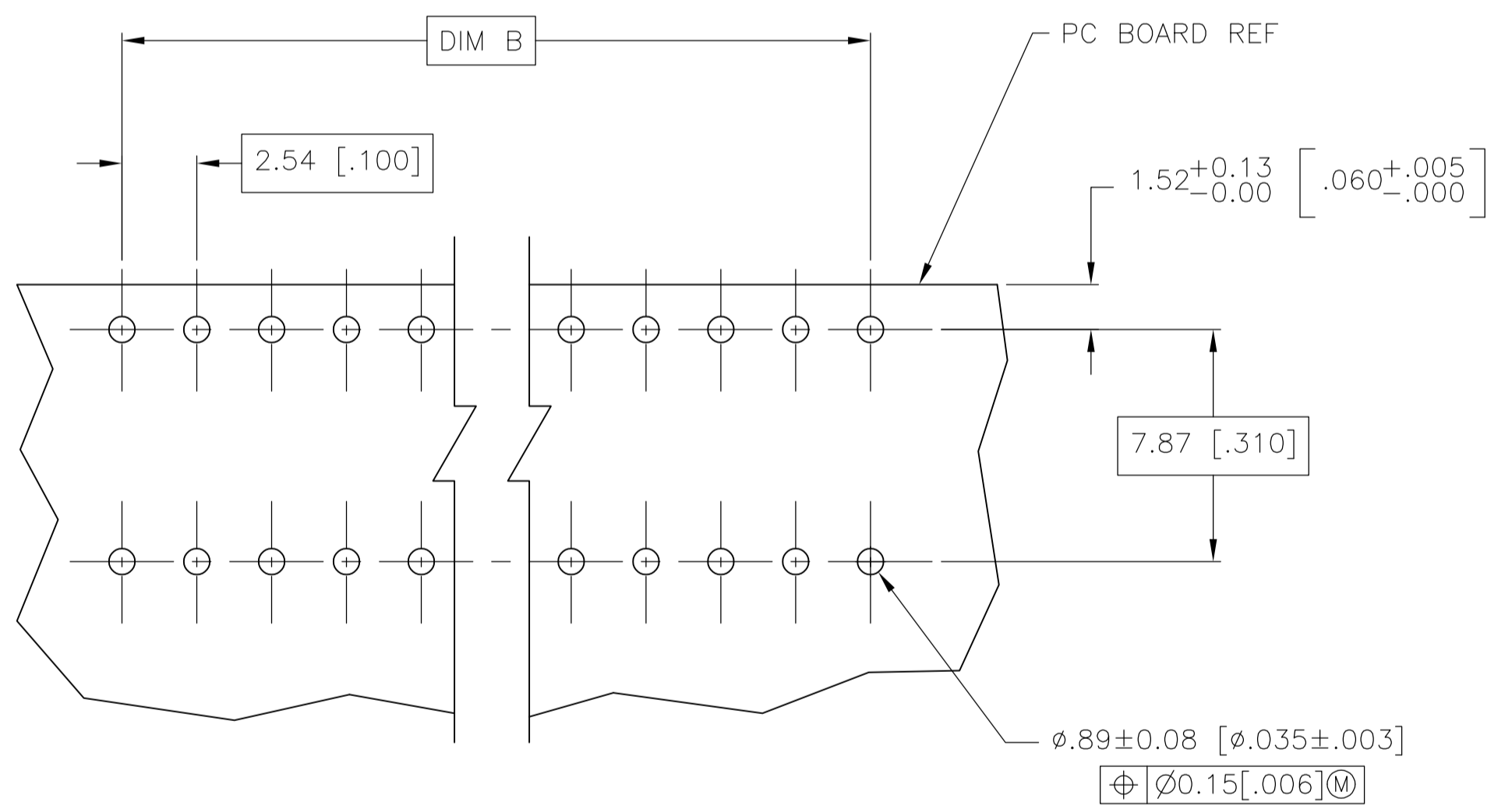
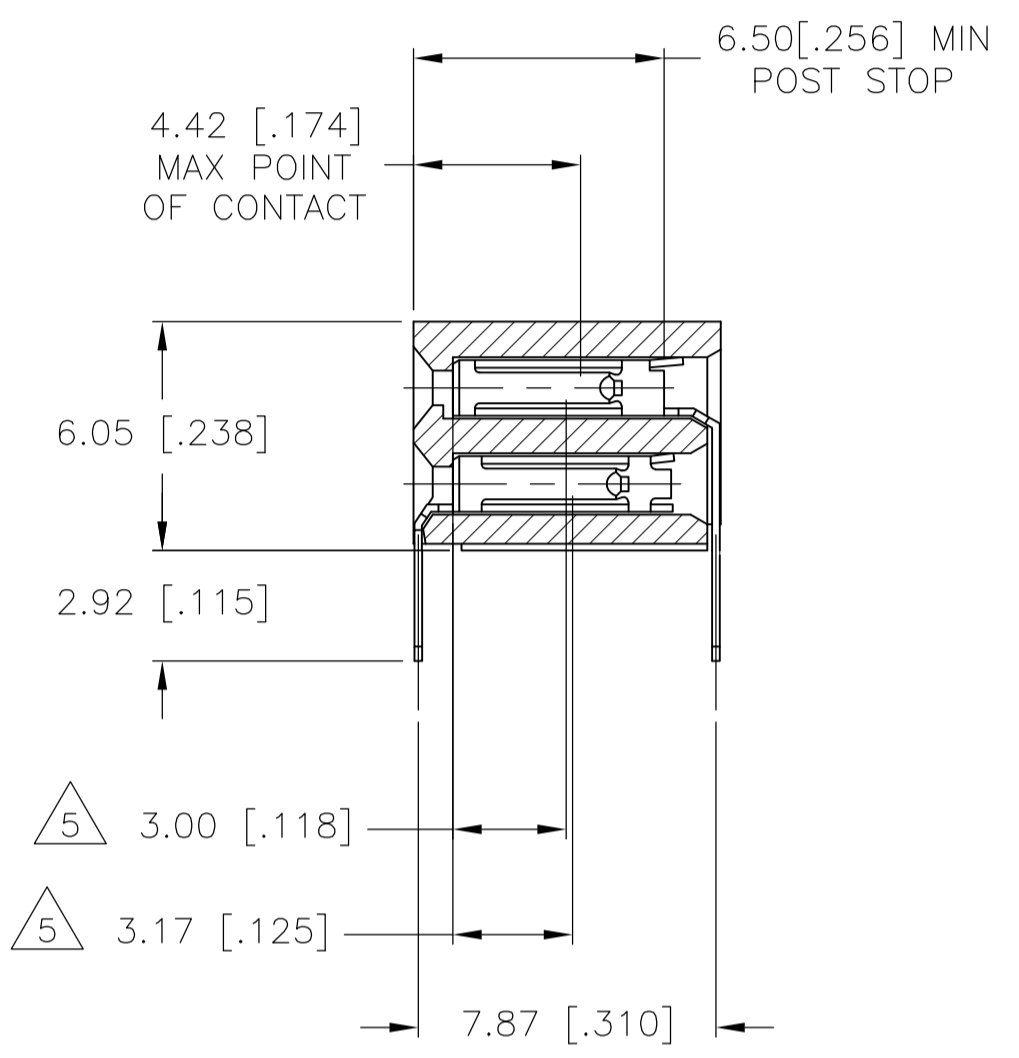
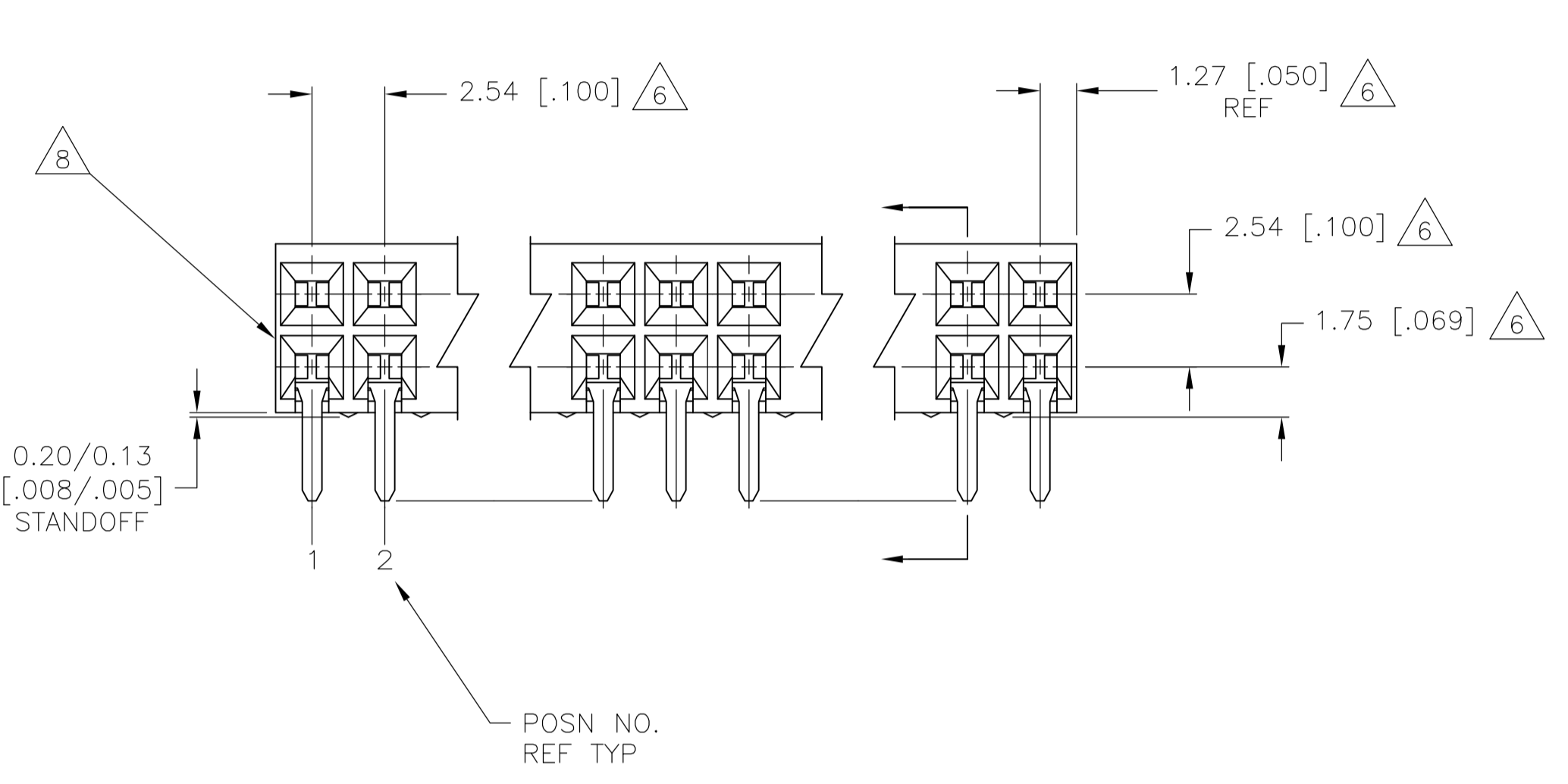
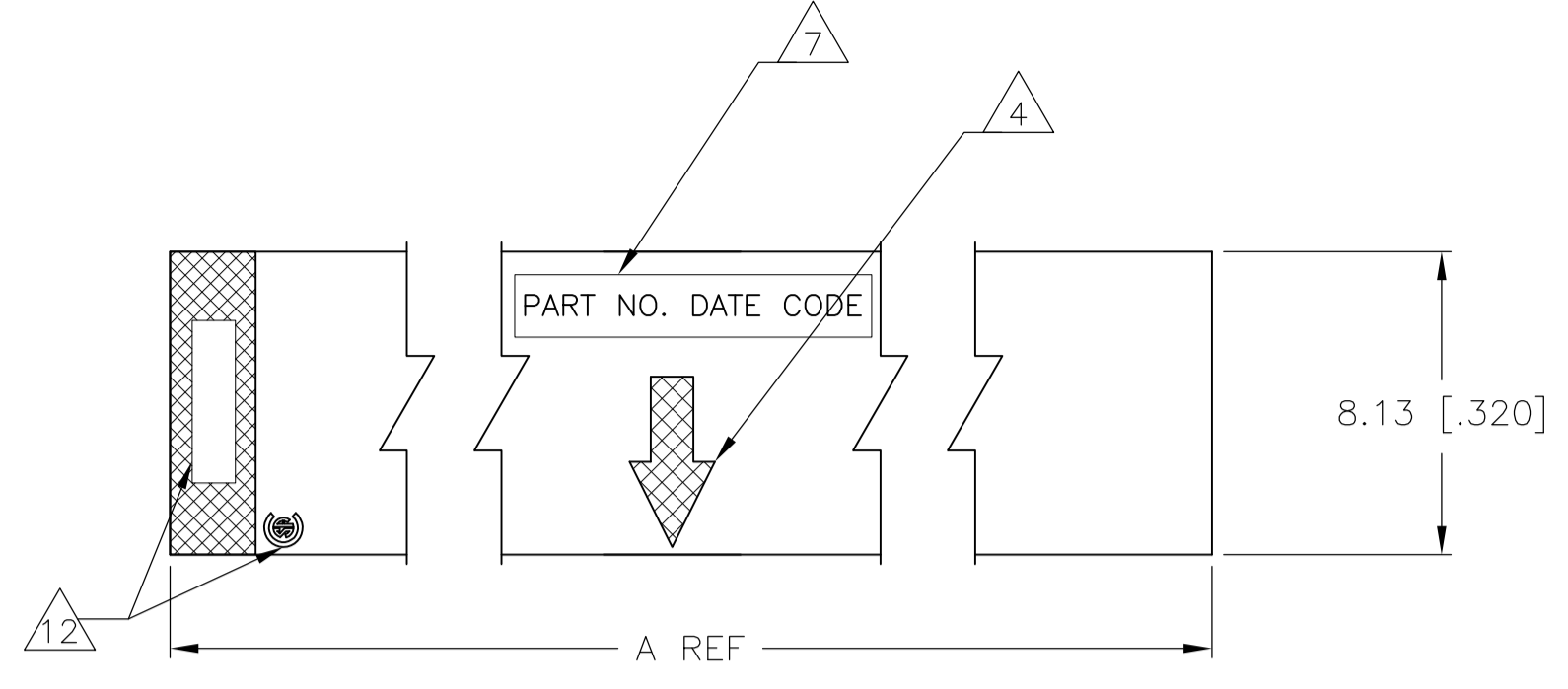


REVISONS		DATE	BY	APPV
A6	Dimension B corrected for 18 & 114 position	27APR2015	KJK	PS



RECOMMENDED PC BOARD LAYOUT

- 1 HOUSING MATERIAL: GLASS FILLED POLYESTER, COLOR- BLACK
- 2 CONTACT MATERIAL: PHOSPHOR BRONZE
- 3 CONTACT FINISH: .00076(.000030) THK DUPLEX PLATED GOLD ON CONTACT AREA 3.81-7.62μm(.000150-.000300)MATTE TIN ALL OVER 0.00127(.000050)NICKEL.
- 4 MOLDED IN ARROW DESIGNATES THE MATING FACE OF THE CONNECTOR
- 5 POINT OF MEASUREMENT FOR PLATING THICKNESS OF CONTACT AREA
- 6 DIMENSIONS PERTAIN TO HOUSING CAVITY CENTERLINES
- 7 PART NUMBER AND DATE CODE MARKED IN APPROXIMATE LOCATION SHOWN, EITHER SIDE.
- 8 ALTERNATE LOCATION FOR DATE CODE FOR 4 AND 6 POSITION.
- 9 NO PART NUMBER MARKING REQUIRED ON THIS PART.
- 10 ROHS 2002/95/EC COMPLIANT.
- 12 TE LOGO AND CSA LOGO ARE MOLDED INTO HOUSING, THIS LOCATION

NO. OF POSN	ASSEMBLY PART NUMBER	B	A
10	6-5535512-4	10.16 [.400]	12.70 [.500]
8	6-5535512-3	7.62 [.300]	10.16 [.400]
6	6-5535512-2	5.08 [.200]	7.62 [.300]
4	6-5535512-1	2.54 [.100]	5.08 [.200]
130	6-5535512-0	162.56 [6.400]	165.10 [6.500]
128	5-5535512-9	160.02 [6.300]	162.56 [6.400]
126	5-5535512-8	157.48 [6.200]	160.02 [6.300]
122	5-5535512-7	152.40 [6.000]	154.94 [6.100]
120	5-5535512-6	149.86 [5.900]	152.40 [6.000]
118	5-5535512-5	147.32 [5.800]	149.86 [5.900]
116	5-5535512-4	144.78 [5.700]	147.32 [5.800]
114	5-5535512-3	142.24 [5.600]	144.78 [5.700]
112	5-5535512-2	139.70 [5.500]	142.24 [5.600]
110	5-5535512-1	137.16 [5.400]	139.70 [5.500]
108	5-5535512-0	134.62 [5.300]	137.16 [5.400]
106	4-5535512-9	132.08 [5.200]	134.62 [5.300]
104	4-5535512-8	129.54 [5.100]	132.08 [5.200]
102	4-5535512-7	127.00 [5.000]	129.54 [5.100]
100	4-5535512-6	124.46 [4.900]	127.00 [5.000]
98	4-5535512-5	121.92 [4.800]	124.46 [4.900]
96	4-5535512-4	119.38 [4.700]	121.92 [4.800]
94	4-5535512-3	116.84 [4.600]	119.38 [4.700]
92	4-5535512-2	114.30 [4.500]	116.84 [4.600]
90	4-5535512-1	111.76 [4.400]	114.30 [4.500]
88	4-5535512-0	109.22 [4.300]	111.76 [4.400]
86	3-5535512-9	106.68 [4.200]	109.22 [4.300]
84	3-5535512-8	104.14 [4.100]	106.68 [4.200]
82	3-5535512-7	101.60 [4.000]	104.14 [4.100]
74	3-5535512-6	91.44 [3.600]	93.98 [3.700]
72	3-5535512-5	88.90 [3.500]	91.44 [3.600]
68	3-5535512-4	83.82 [3.300]	86.36 [3.400]
66	3-5535512-3	81.28 [3.200]	83.82 [3.300]
64	3-5535512-2	78.74 [3.100]	81.28 [3.200]
62	3-5535512-1	76.20 [3.000]	78.74 [3.100]
60	3-5535512-0	73.66 [2.900]	76.20 [3.000]
58	2-5535512-9	71.12 [2.800]	73.66 [2.900]
52	2-5535512-8	63.50 [2.500]	66.04 [2.600]
46	2-5535512-7	55.88 [2.200]	58.42 [2.300]
42	2-5535512-6	50.8 [2.000]	53.34 [2.100]
40	2-5535512-5	48.26 [1.900]	50.8 [2.000]
38	2-5535512-4	45.72 [1.800]	48.26 [1.900]
32	2-5535512-3	38.10 [1.500]	40.64 [1.600]
30	2-5535512-2	35.56 [1.400]	38.10 [1.500]
28	2-5535512-1	33.02 [1.300]	35.56 [1.400]
26	2-5535512-0	30.48 [1.200]	33.02 [1.300]
22	1-5535512-9	25.40 [1.000]	27.94 [1.100]
16	1-5535512-8	17.78 [.700]	20.32 [.800]
14	1-5535512-7	15.24 [.600]	17.78 [.700]
18	1-5535512-6	20.32 [.800]	22.86 [.900]
48	1-5535512-5	58.42 [2.300]	60.96 [2.400]
124	1-5535512-4	154.94 [6.100]	157.48 [6.200]
80	1-5535512-3	99.06 [3.900]	101.60 [4.000]
78	1-5535512-2	96.52 [3.800]	99.06 [3.900]
76	1-5535512-1	93.98 [3.700]	96.52 [3.800]
70	1-5535512-0	86.36 [3.400]	88.90 [3.500]
56	5535512-9	68.58 [2.700]	71.12 [2.800]
54	5535512-8	66.04 [2.600]	68.58 [2.700]
50	5535512-7	60.96 [2.400]	63.50 [2.500]
44	5535512-6	53.34 [2.100]	55.88 [2.200]
36	5535512-5	43.18 [1.700]	45.72 [1.800]
34	5535512-4	40.64 [1.600]	43.18 [1.700]
24	5535512-3	27.94 [1.100]	30.48 [1.200]
20	5535512-2	22.86 [.900]	25.40 [1.000]
12	5535512-1	12.70 [.500]	15.24 [.600]

THIS DRAWING IS A CONTROLLED DOCUMENT. DANDV04

TE Connectivity

AMPMODU MOD II RECEPTACLE ASSEMBLY, HORIZONTAL, .100 CL, 2 ROW, CLOSED-ENTRY, SHORT POINT OF CONTACT, END-TO-END STACKABLE

108-25026

114-25018

00779

5535512

CUSTOMER DRAWING

SCALE 5:1 SHEET 1 OF 1 REV A6

Mouser Electronics

Authorized Distributor

Click to View Pricing, Inventory, Delivery & Lifecycle Information:

[TE Connectivity:](#)

[1-5535512-8](#)