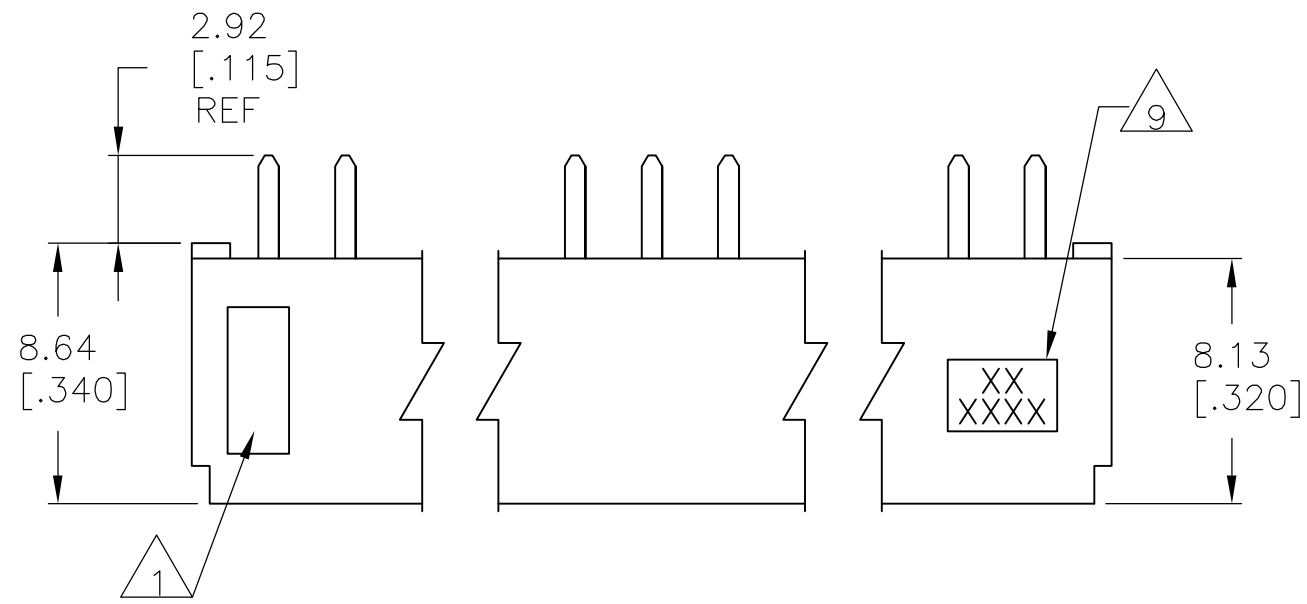
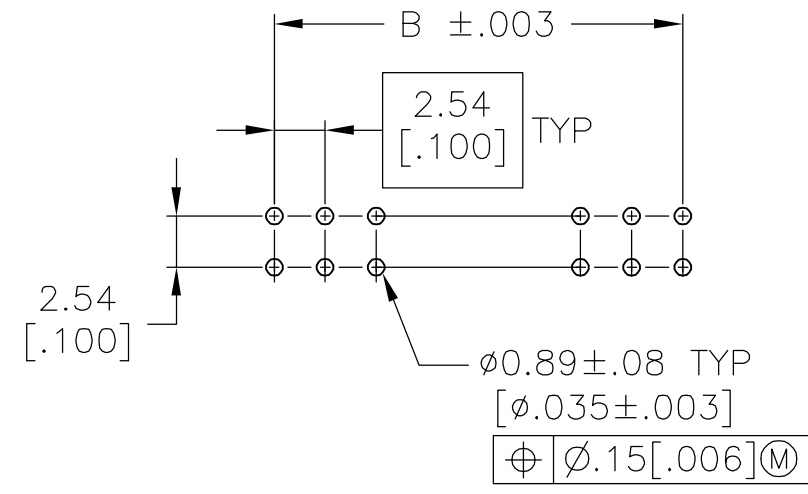
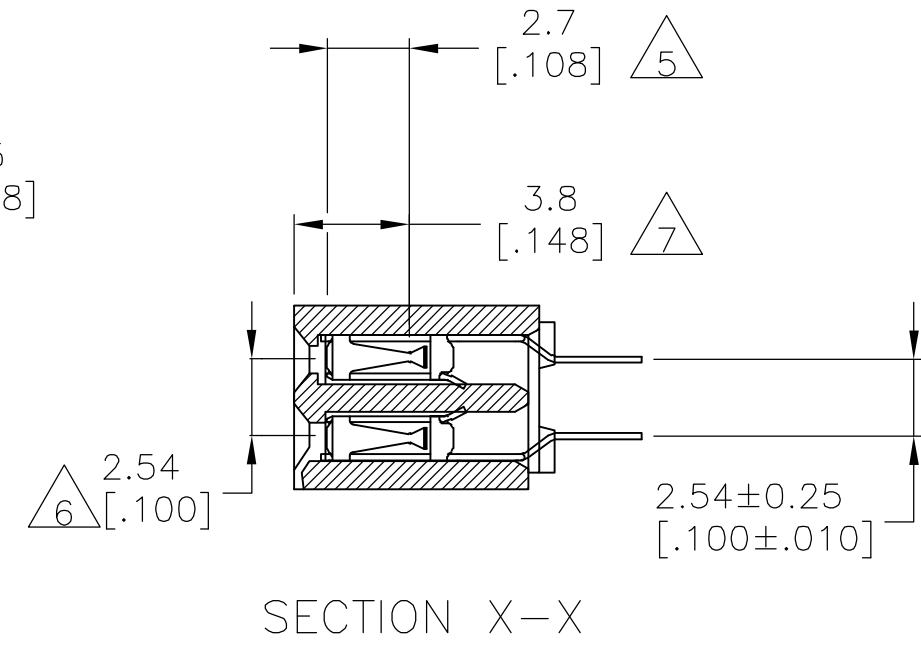
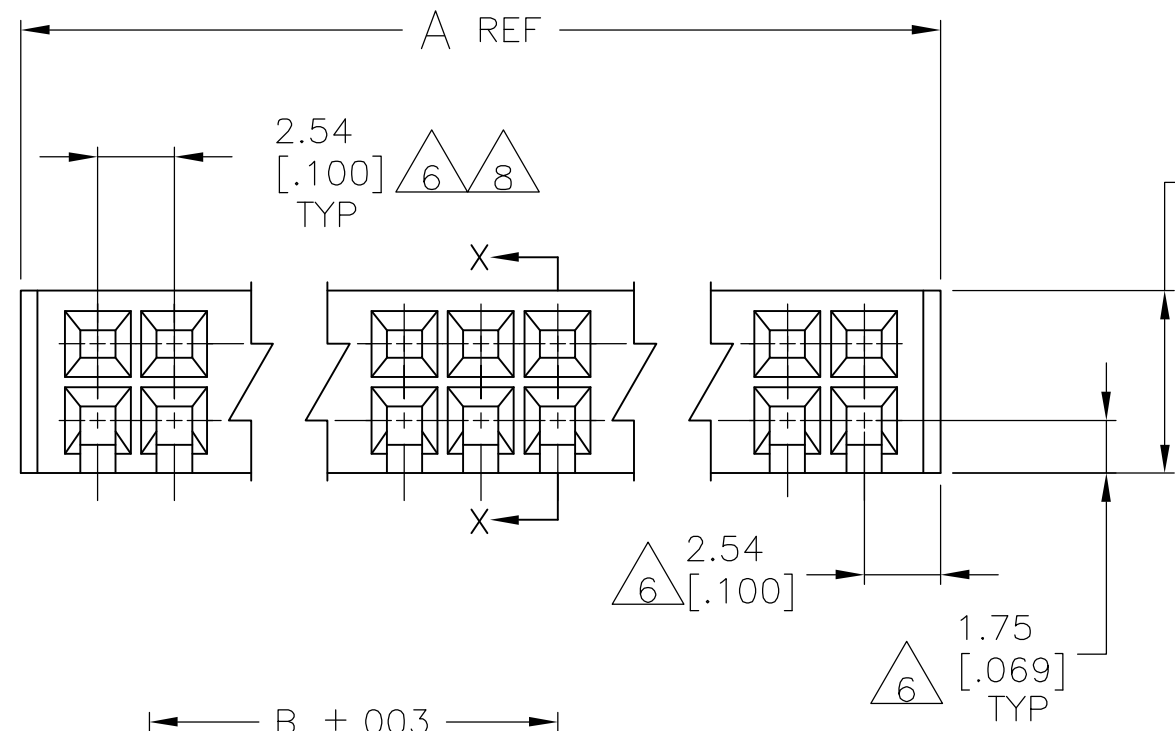


THIS DRAWING IS UNPUBLISHED. RELEASED FOR PUBLICATION
 © COPYRIGHT BY TYCO ELECTRONICS CORPORATION. ALL RIGHTS RESERVED.

LOC	DIST	REVISIONS			
P	LTR	DESCRIPTION	DATE	DWN	APVD
AD	00	F	EC 0G3C 0104 05	08MAR05	BSV JRO



- 1 TYCO LOGO AND CSA LOGO ARE MOLDED INTO THE HOUSING.
- 2 HOUSING: FLAME RETARDANT GLASS FILLED POLYESTER, COLOR-BLACK,
- 3 CONTACT: PHOS. BRONZE
- 4 DUPLEX PLATED: .000030 GOLD IN CONTACT AREA, .000150-.000300 BRIGHT TIN-LEAD ON SOLDER LEADS, ALL OVER .000050 MIN. NICKEL.
- 5 POINT OF MEASUREMENT DIMENSION FOR PLATING THICKNESS (INSIDE CONTACT BEAMS).
- 6 THESE DIMS. PERTAIN TO CAVITY Ø'S ONLY, NOT TO CONTACT LOCATIONS
- 7 POINT OF CONTACT DIMENSION.
- 8 TOLERANCE IS NON-CUMULATIVE.
- 9 DATE CODE AND PART NUMBER ARE MARKED IN APPROXIMATE LOCATION SHOWN.
- 10 DUPLEX PLATED: .000030 GOLD IN CONTACT AREA, .000150-.000300 MATTE TIN ON SOLDER LEADS, ALL OVER .000050 MIN. NICKEL.
- 11 ROHS 2002/95/EC COMPLIANT.



RECOMMENDED P.C. BOARD LAYOUT

10	106.68 [4.200]	111.76 [4.400]	86	5-535966-1
4	106.68 [4.200]	111.76 [4.400]	86	535966-1
FINISH	B	A	NO OF POSN	PART NUMBER

THIS DRAWING IS A CONTROLLED DOCUMENT.		DWN KATE HELM 26APR90	Tyco Electronics Corporation Harrisburg, Pa 17105-3608	
DIMENSIONS: mm [INCHES]		CHK DOUG SARVER 08MAY90		
TOLERANCES UNLESS OTHERWISE SPECIFIED:		APVD RON FELIX 08MAY90	NAME RCPT ASSY,MOD II,VERT MOUNT .100 X .100 SHORT-POINT OF CONTACT	
0 PLC ± - 1 PLC ± - 2 PLC ± .13[.005] 3 PLC ± - 4 PLC ± - ANGLES ± - FINISH		PRODUCT SPEC -	SIZE A2	CAGE CODE 00779
MATERIAL 2 3		APPLICATION SPEC -	DRAWING NO C=535966	RESTRICTED TO -
		WEIGHT -	SCALE 4:1	SHEET 1 OF 1
		CUSTOMER DRAWING	REV F	

535966

Mouser Electronics

Authorized Distributor

Click to View Pricing, Inventory, Delivery & Lifecycle Information:

[TE Connectivity:](#)

[5-535966-1](#)