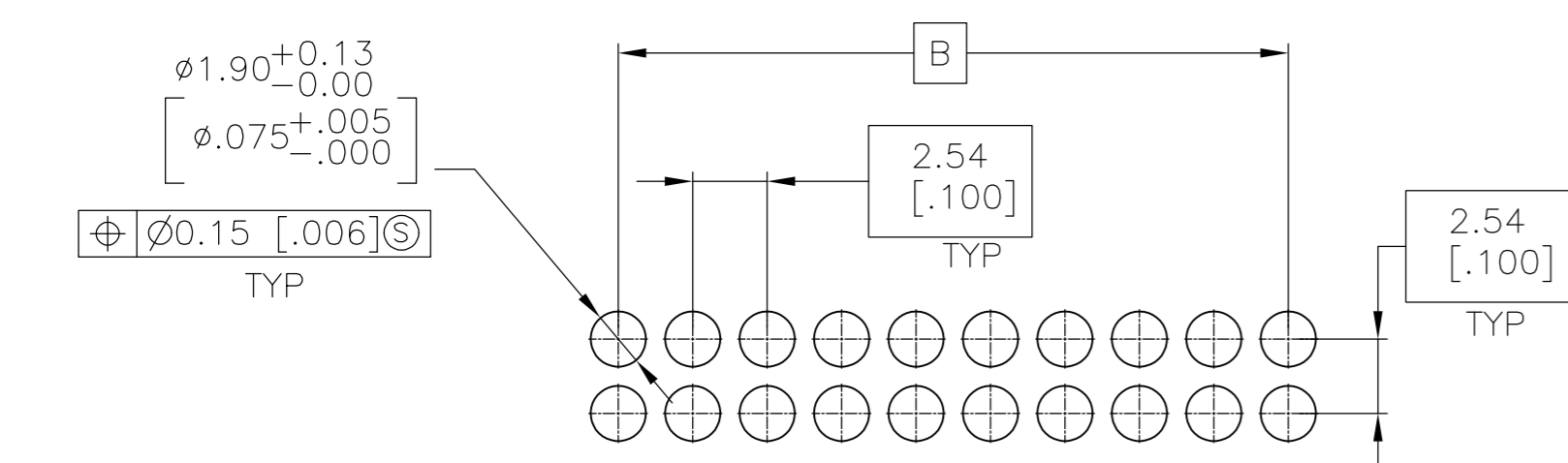
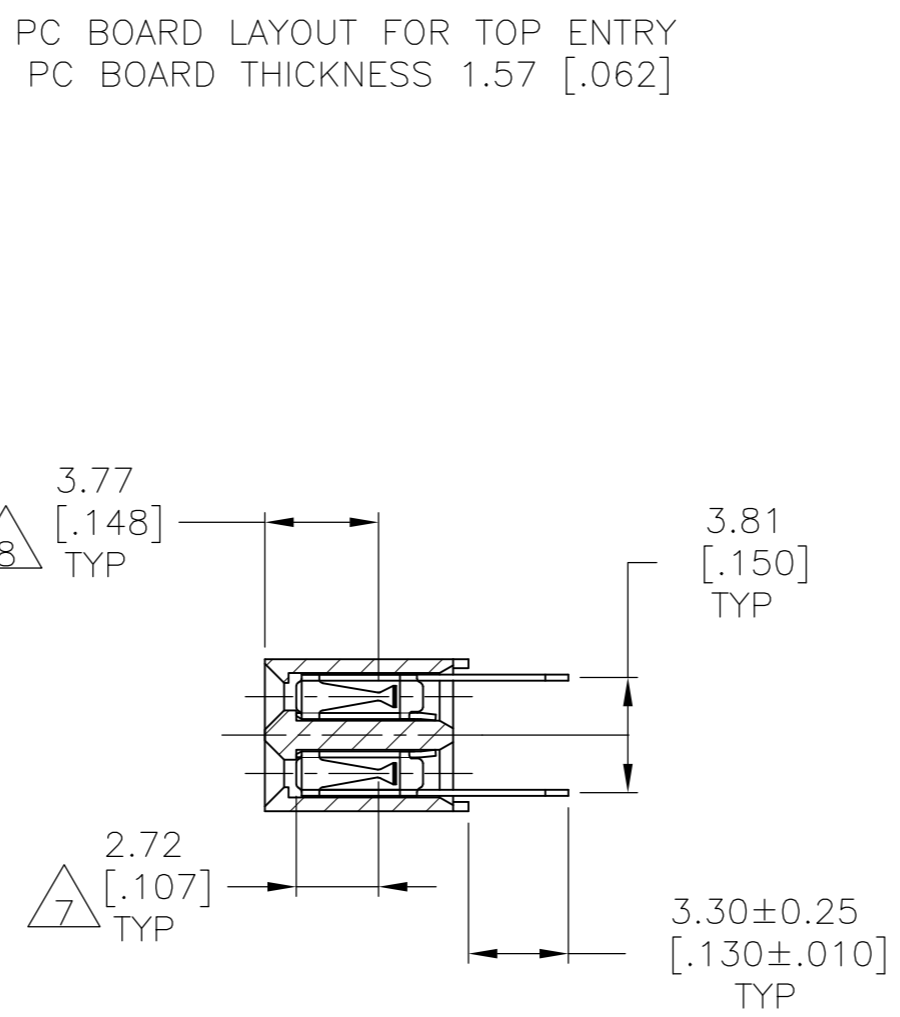
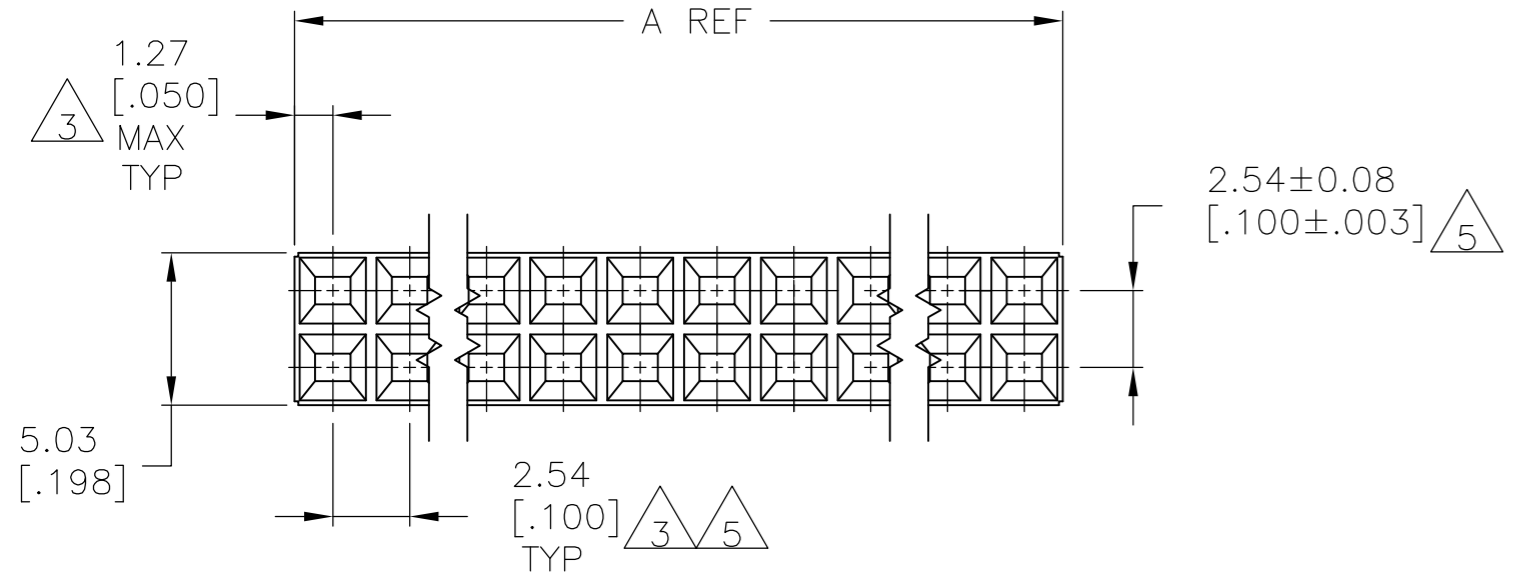
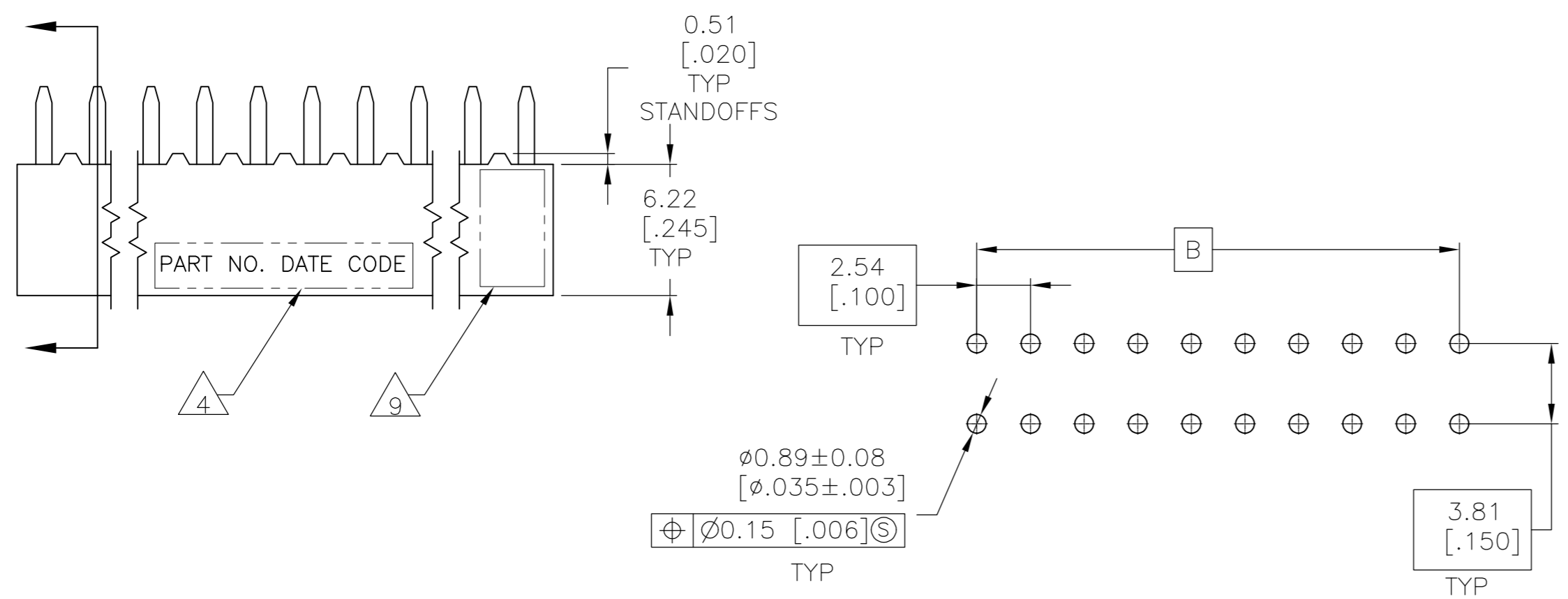


THIS DRAWING IS UNPUBLISHED. RELEASED FOR PUBLICATION
 © COPYRIGHT - By - ALL RIGHTS RESERVED.

LOC		DIST		REVISIONS			
P	LTR	DESCRIPTION	DATE	DWN	APVD		
		U5	REVISED PER ECO-13-005565	30MAR13	KH	JO	



PC BOARD LAYOUT FOR BOTTOM ENTRY
 PC BOARD THICKNESS 1.57 [.062]

- 1 HOUSING: FLAME RETARDANT, GLASS FILLED, POLYESTER, COLOR: BLACK. CONTACT: PHOSPHOR BRONZE
- 2 CONTACT: DUPLEX PLATED 0.76μm[.000030] GOLD IN CONTACT AREA, 3.81-7.62μm[.000150-.000300] BRIGHT TIN-LEAD ON LEADS, ALL OVER 1.27μm[.000050] MINIMUM NICKEL.
- 3 THESE DIMENSIONS PERTAIN TO CAVITY CENTERLINES ONLY - NOT TO CONTACT LOCATIONS
- 4 MARK PART NUMBER AND DATE CODE ARE MARKED IN APPROXIMATE LOCATION SHOWN, EITHER SIDE.
- 5 TOLERANCE IS NON-CUMULATIVE.
- 6 2 POSITION DATE CODE IS MARKED OPPOSITE SIDE OF TE LOGO.
- 7 POINT-OF-MEASUREMENT DIMENSION FOR PLATING THICKNESS (INSIDE CONTACT BEAM).
- 8 POINT-OF-CONTACT DIMENSION.
- 9 TE CONNECTIVITY TRADEMARK AND CSA LOGO ARE MOLDED INTO HOUSING, THIS LOCATION.
- 10 NO PART NUMBER MARKING REQUIRED FOR THIS PART.
- 11 CONTACT: DUPLEX PLATED 0.76 MICROMETERS (.000030) GOLD IN CONTACT AREA, 3.81-7.62 MICROMETERS (.000150-.000300) MATTE TIN ON LEADS, ALL OVER 1.27 MICROMETERS (.000050) MINIMUM NICKEL
- 12 ROHS 2002/95/EC COMPLIANT

THIS DRAWING IS A CONTROLLED DOCUMENT.		DWN M.BINNER 06NOV2002																							
DIMENSIONS: mm [INCHES]		CHK J.OLSON 06NOV02																							
TOLERANCES UNLESS OTHERWISE SPECIFIED:		APVD J.OLSON 06NOV02	NAME RECEPTACLE ASSEMBLY, MOD IV, DOUBLE ROW, DUAL ENTRY, .100X.100CL, VERTICAL MOUNT, AMPMODU																						
<table border="0"> <tr><td>0 PLC</td><td>±</td><td>-</td></tr> <tr><td>1 PLC</td><td>±</td><td>-</td></tr> <tr><td>2 PLC</td><td>±</td><td>0.13[.005]</td></tr> <tr><td>3 PLC</td><td>±</td><td>-</td></tr> <tr><td>4 PLC</td><td>±</td><td>-</td></tr> <tr><td>ANGLES</td><td>±</td><td>-</td></tr> <tr><td>FINISH</td><td>±</td><td>-</td></tr> </table>		0 PLC	±	-	1 PLC	±	-	2 PLC	±	0.13[.005]	3 PLC	±	-	4 PLC	±	-	ANGLES	±	-	FINISH	±	-	PRODUCT SPEC 108-25022	SIZE A2	CAGE CODE 00779
0 PLC	±	-																							
1 PLC	±	-																							
2 PLC	±	0.13[.005]																							
3 PLC	±	-																							
4 PLC	±	-																							
ANGLES	±	-																							
FINISH	±	-																							
MATERIAL 1	FINISH 2 11	APPLICATION SPEC 114-25018	DRAWING NO C=535542	RESTRICTED TO -																					
CUSTOMER DRAWING		WEIGHT -	SCALE 4:1	SHEET 1 OF 2																					
		REV U5																							


THIS DRAWING IS UNPUBLISHED. RELEASED FOR PUBLICATION
 © COPYRIGHT - By - ALL RIGHTS RESERVED.

LOC	DIST	REVISIONS					
AD	00	P	LTR	DESCRIPTION	DATE	DWN	APVD
		-	-	SEE SHEET 1	-	-	-

11	99.06	[3.900]	101.60	[4.000]	80	12	9-535542-0
11	96.52	[3.800]	99.06	[3.900]	78	12	8-535542-9
11	93.98	[3.700]	96.52	[3.800]	76	12	8-535542-8
11	91.44	[3.600]	93.98	[3.700]	74	12	8-535542-7
11	88.90	[3.500]	91.44	[3.600]	72	12	8-535542-6
11	86.36	[3.400]	88.90	[3.500]	70	12	8-535542-5
11	83.82	[3.300]	86.36	[3.400]	68	12	8-535542-4
11	81.28	[3.200]	83.82	[3.300]	66	12	8-535542-3
11	78.74	[3.100]	81.28	[3.200]	64	12	8-535542-2
11	76.20	[3.000]	78.74	[3.100]	62	12	8-535542-1
11	73.66	[2.900]	76.20	[3.000]	60	12	8-535542-0
11	71.12	[2.800]	73.66	[2.900]	58	12	7-535542-9
11	68.58	[2.700]	71.12	[2.800]	56	12	7-535542-8
11	66.04	[2.600]	68.58	[2.700]	54	12	7-535542-7
11	63.50	[2.500]	66.04	[2.600]	52	12	7-535542-6
11	60.96	[2.400]	63.50	[2.500]	50	12	7-535542-5
11	58.42	[2.300]	60.96	[2.400]	48	12	7-535542-4
11	55.88	[2.200]	58.42	[2.300]	46	12	7-535542-3
11	53.34	[2.100]	55.88	[2.200]	44	12	7-535542-2
11	50.80	[2.000]	53.34	[2.100]	42	12	7-535542-1
11	48.26	[1.900]	50.80	[2.000]	40	12	7-535542-0
11	45.72	[1.800]	48.26	[1.900]	38	12	6-535542-9
11	43.18	[1.700]	45.72	[1.800]	36	12	6-535542-8
11	40.64	[1.600]	43.18	[1.700]	34	12	6-535542-7
11	38.10	[1.500]	40.64	[1.600]	32	12	6-535542-6
11	35.56	[1.400]	38.10	[1.500]	30	12	6-535542-5
11	33.02	[1.300]	35.56	[1.400]	28	12	6-535542-4
11	30.48	[1.200]	33.02	[1.300]	26	12	6-535542-3
11	27.94	[1.100]	30.48	[1.200]	24	12	6-535542-2
11	25.40	[1.000]	27.94	[1.100]	22	12	6-535542-1
11	22.86	[.900]	25.40	[1.000]	20	12	6-535542-0
11	20.32	[.800]	22.86	[.900]	18	12	5-535542-9
11	17.78	[.700]	20.32	[.800]	16	12	5-535542-8
11	15.24	[.600]	17.78	[.700]	14	12	5-535542-7
11	12.70	[.500]	15.24	[.600]	12	12	5-535542-6
10	10.16	[.400]	12.70	[.500]	10	12	5-535542-5
10	7.62	[.300]	10.16	[.400]	8	12	5-535542-4
10	5.08	[.200]	7.62	[.300]	6	12	5-535542-3
10	2.54	[.100]	5.08	[.200]	4	12	5-535542-2
10	-		2.54	[.100]	2	12	5-535542-1
FINISH	B	A	NO OF POSN	PART NUMBER			

2	99.06	[3.900]	101.60	[4.000]	80	2	4-535542-0
2	96.52	[3.800]	99.06	[3.900]	78	2	3-535542-9
2	93.98	[3.700]	96.52	[3.800]	76	2	3-535542-8
2	91.44	[3.600]	93.98	[3.700]	74	2	3-535542-7
2	88.90	[3.500]	91.44	[3.600]	72	2	3-535542-6
2	86.36	[3.400]	88.90	[3.500]	70	2	3-535542-5
2	83.82	[3.300]	86.36	[3.400]	68	2	3-535542-4
2	81.28	[3.200]	83.82	[3.300]	66	2	3-535542-3
2	78.74	[3.100]	81.28	[3.200]	64	2	3-535542-2
2	76.20	[3.000]	78.74	[3.100]	62	2	3-535542-1
2	73.66	[2.900]	76.20	[3.000]	60	2	3-535542-0
2	71.12	[2.800]	73.66	[2.900]	58	2	2-535542-9
2	68.58	[2.700]	71.12	[2.800]	56	2	2-535542-8
2	66.04	[2.600]	68.58	[2.700]	54	2	2-535542-7
2	63.50	[2.500]	66.04	[2.600]	52	2	2-535542-6
2	60.96	[2.400]	63.50	[2.500]	50	2	2-535542-5
2	58.42	[2.300]	60.96	[2.400]	48	2	2-535542-4
2	55.88	[2.200]	58.42	[2.300]	46	2	2-535542-3
2	53.34	[2.100]	55.88	[2.200]	44	2	2-535542-2
2	50.80	[2.000]	53.34	[2.100]	42	2	2-535542-1
2	48.26	[1.900]	50.80	[2.000]	40	2	2-535542-0
2	45.72	[1.800]	48.26	[1.900]	38	2	1-535542-9
2	43.18	[1.700]	45.72	[1.800]	36	2	1-535542-8
2	40.64	[1.600]	43.18	[1.700]	34	2	1-535542-7
2	38.10	[1.500]	40.64	[1.600]	32	2	1-535542-6
2	35.56	[1.400]	38.10	[1.500]	30	2	1-535542-5
2	33.02	[1.300]	35.56	[1.400]	28	2	1-535542-4
2	30.48	[1.200]	33.02	[1.300]	26	2	1-535542-3
2	27.94	[1.100]	30.48	[1.200]	24	2	1-535542-2
2	25.40	[1.000]	27.94	[1.100]	22	2	1-535542-1
2	22.86	[.900]	25.40	[1.000]	20	2	1-535542-0
2	20.32	[.800]	22.86	[.900]	18	2	535542-9
2	17.78	[.700]	20.32	[.800]	16	2	535542-8
2	15.24	[.600]	17.78	[.700]	14	2	535542-7
2	12.70	[.500]	15.24	[.600]	12	2	535542-6
2	10.16	[.400]	12.70	[.500]	10	2	535542-5
2	7.62	[.300]	10.16	[.400]	8	2	535542-4
2	5.08	[.200]	7.62	[.300]	6	2	535542-3
2	2.54	[.100]	5.08	[.200]	4	2	535542-2
2	-		2.54	[.100]	2	2	535542-1
FINISH	B	A	NO OF POSN	PART NUMBER			

THIS DRAWING IS A CONTROLLED DOCUMENT.

DWN M.BINNER 06NOV2002	 TE Connectivity					
CHK J.OLSON 06NOV02						
APVD J.OLSON 06NOV02						
NAME RECEPTACLE ASSEMBLY, MOD IV, DOUBLE ROW, DUAL ENTRY, .100X.100CL, VERTICAL MOUNT, AMPMODU						
DIMENSIONS: mm [INCHES]	TOLERANCES UNLESS OTHERWISE SPECIFIED: 0 PLC ± - 1 PLC ± - 2 PLC ± 0.13[.005] 3 PLC ± - 4 PLC ± - ANGLES ± -	PRODUCT SPEC 108-25022	SIZE A2	CAGE CODE 00779	DRAWING NO C=535542	RESTRICTED TO -
MATERIAL 1	FINISH 2 11	WEIGHT -	SCALE 1:1	SHEET 2 of 2	REV U5	

CUSTOMER DRAWING

Mouser Electronics

Authorized Distributor

Click to View Pricing, Inventory, Delivery & Lifecycle Information:

[TE Connectivity:](#)

[535542-5](#)