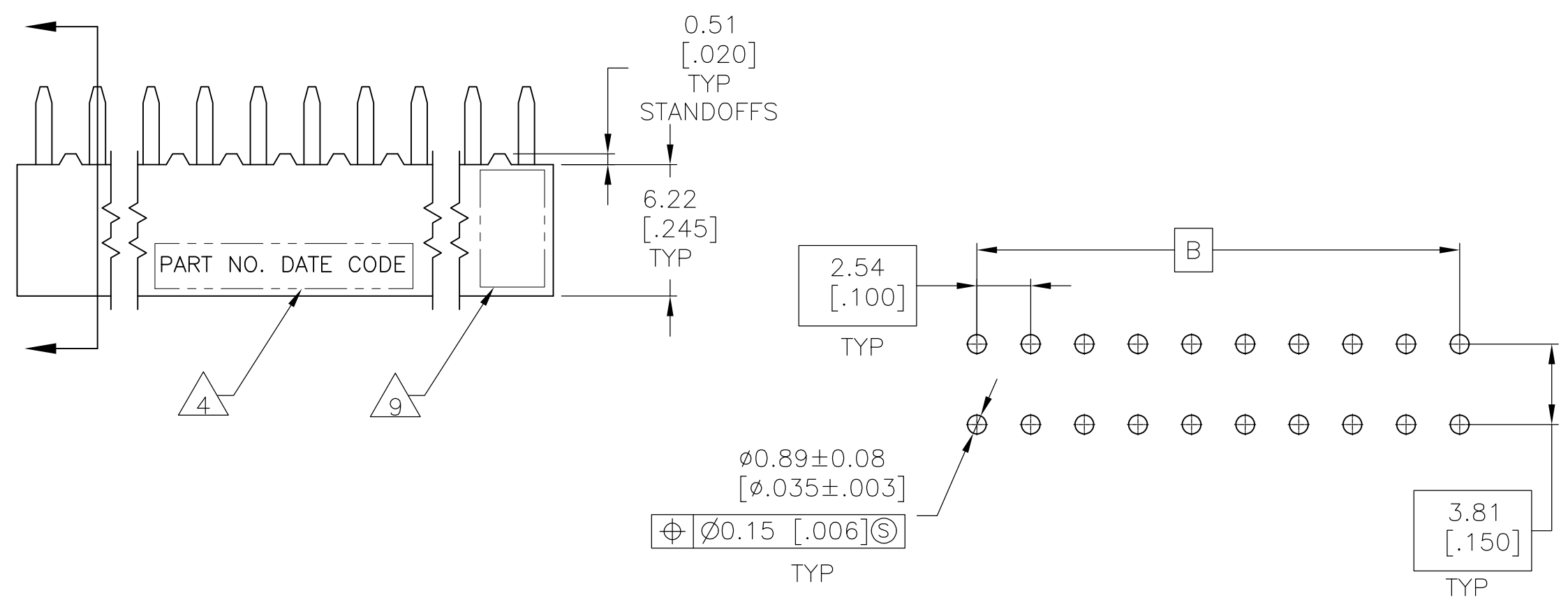
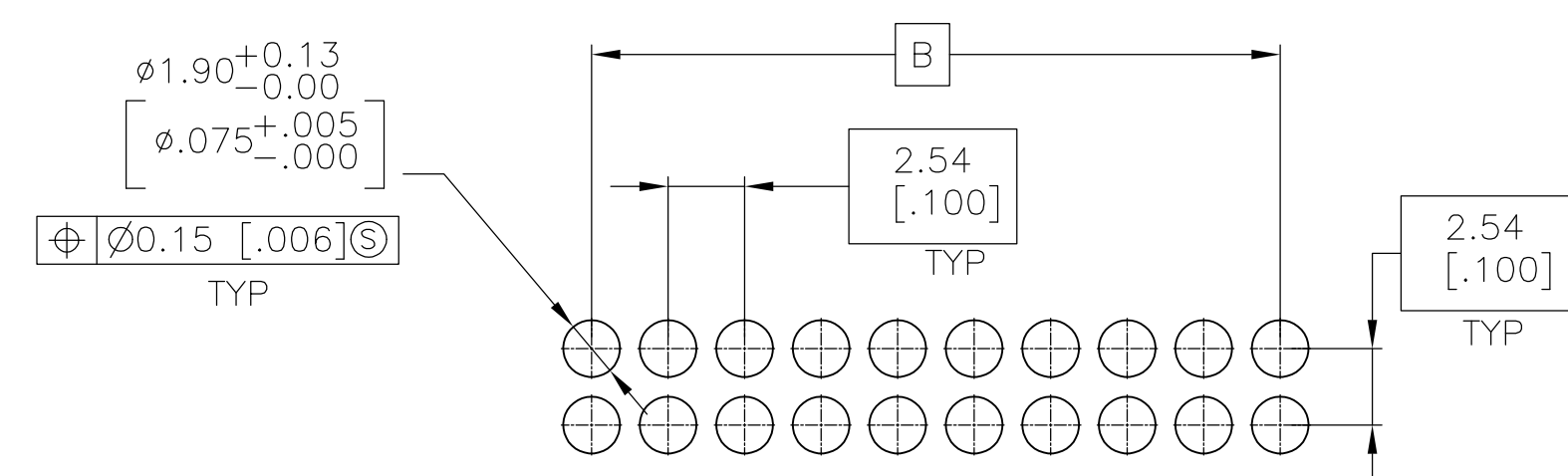
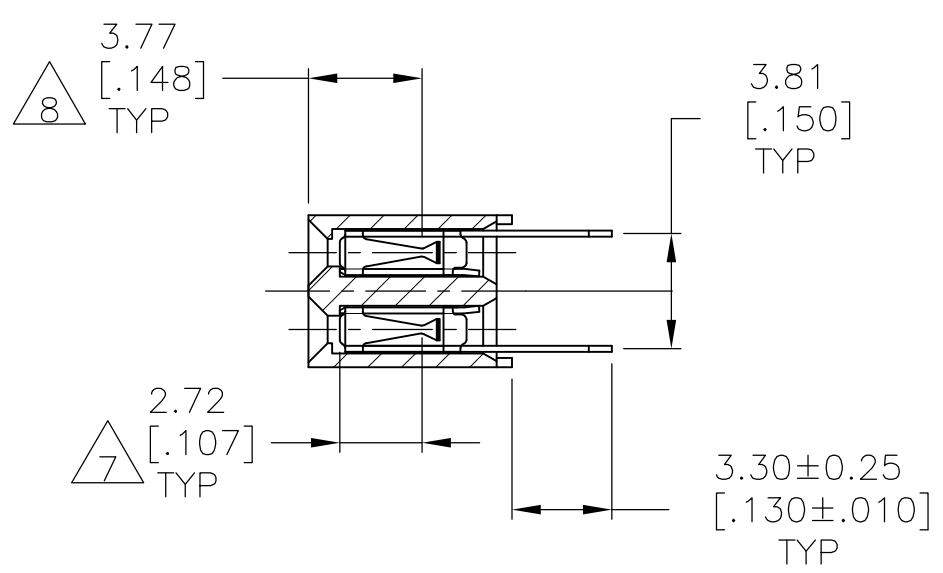
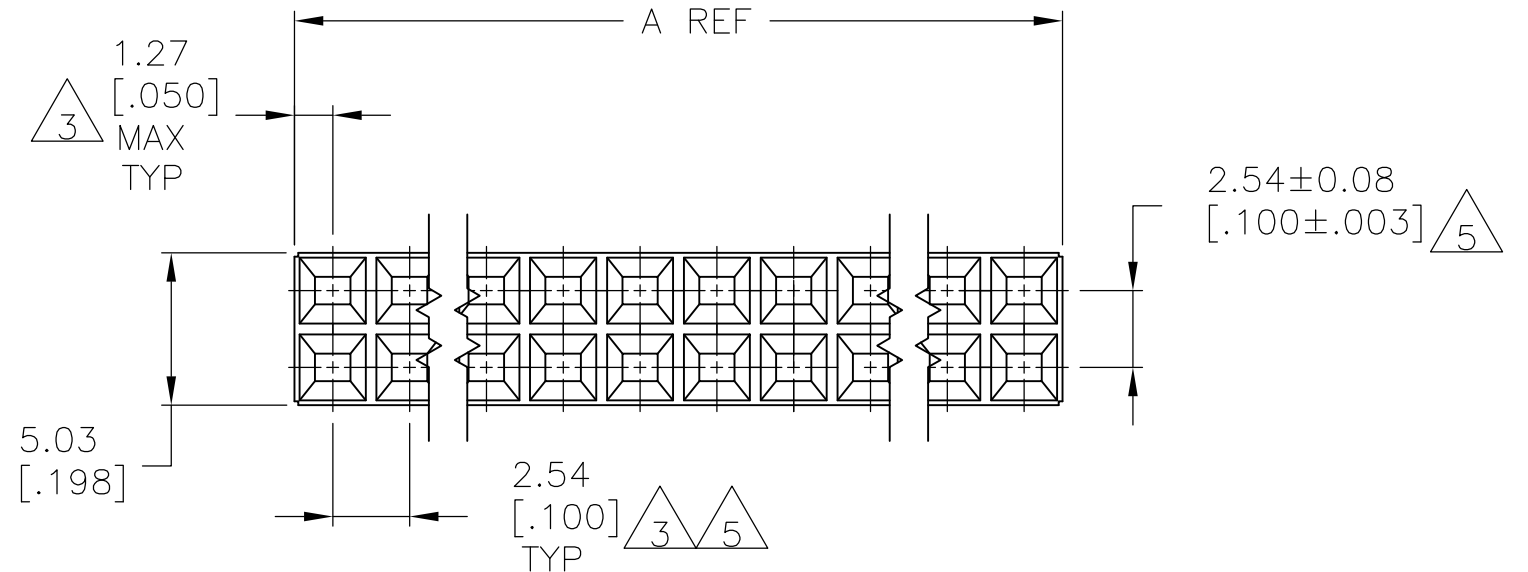


THIS DRAWING IS UNPUBLISHED. RELEASED FOR PUBLICATION  
 © COPYRIGHT - By - ALL RIGHTS RESERVED.

| LOC |     | DIST        |                           | REVISIONS |      |    |  |
|-----|-----|-------------|---------------------------|-----------|------|----|--|
| P   | LTR | DESCRIPTION | DATE                      | DWN       | APVD |    |  |
| AD  | 00  | U5          | REVISED PER ECO-13-005565 | 30MAR13   | KH   | JO |  |



PC BOARD LAYOUT FOR TOP ENTRY  
 PC BOARD THICKNESS 1.57 [.062]



PC BOARD LAYOUT FOR BOTTOM ENTRY  
 PC BOARD THICKNESS 1.57 [.062]

- 1 HOUSING: FLAME RETARDANT, GLASS FILLED, POLYESTER, COLOR: BLACK. CONTACT: PHOSPHOR BRONZE
- 2 CONTACT: DUPLEX PLATED 0.76µm[.000030] GOLD IN CONTACT AREA, 3.81-7.62µm[.000150-.000300] BRIGHT TIN-LEAD ON LEADS, ALL OVER 1.27µm[.000050] MINIMUM NICKEL.
- 3 THESE DIMENSIONS PERTAIN TO CAVITY CENTERLINES ONLY - NOT TO CONTACT LOCATIONS
- 4 MARK PART NUMBER AND DATE CODE ARE MARKED IN APPROXIMATE LOCATION SHOWN, EITHER SIDE.
- 5 TOLERANCE IS NON-CUMULATIVE.
- 6 2 POSITION DATE CODE IS MARKED OPPOSITE SIDE OF TE LOGO.
- 7 POINT-OF-MEASUREMENT DIMENSION FOR PLATING THICKNESS (INSIDE CONTACT BEAM).
- 8 POINT-OF-CONTACT DIMENSION.
- 9 TE CONNECTIVITY TRADEMARK AND CSA LOGO ARE MOLDED INTO HOUSING, THIS LOCATION.
- 10 NO PART NUMBER MARKING REQUIRED FOR THIS PART.
- 11 CONTACT: DUPLEX PLATED 0.76 MICROMETERS (.000030) GOLD IN CONTACT AREA, 3.81-7.62 MICROMETERS (.000150-.000300) MATTE TIN ON LEADS, ALL OVER 1.27 MICROMETERS (.000050) MINIMUM NICKEL
- 12 ROHS 2002/95/EC COMPLIANT

|  |                |                               |   |                    |
|--|----------------|-------------------------------|---|--------------------|
| THIS DRAWING IS A CONTROLLED DOCUMENT. |                | DWN<br>M.BINNER<br>06NOV2002  |   |                    |
| DIMENSIONS:<br>mm [INCHES]             |                | CHK<br>J.OLSON<br>06NOV02     |   |                    |
| TOLERANCES UNLESS OTHERWISE SPECIFIED: |                | APVD<br>J.OLSON<br>06NOV02    | NAME<br>RECEPTACLE ASSEMBLY, MOD IV,<br>DOUBLE ROW, DUAL ENTRY, .100X.100CL,<br>VERTICAL MOUNT, AMPMODU |                    |
| 0 PLC ± -                              | 1 PLC ± -      | PRODUCT SPEC<br>108-25022     | SIZE<br>A2  | CAGE CODE<br>00779 |
| 2 PLC ± 0.13[.005]                     | 3 PLC ± -      | APPLICATION SPEC<br>114-25018 | DRAWING NO<br>C=535542  | RESTRICTED TO<br>- |
| 4 PLC ± -                              | ANGLES ± -     | WEIGHT<br>-                   | SCALE<br>4:1  | SHEET<br>1 OF 2    |
| MATERIAL<br>1                          | FINISH<br>2 11 | CUSTOMER DRAWING              | REV<br>U5   |                    |

THIS DRAWING IS UNPUBLISHED. RELEASED FOR PUBLICATION  
 © COPYRIGHT - By - ALL RIGHTS RESERVED.

| LOC | DIST | REVISIONS |     |             |      |     |      |
|-----|------|-----------|-----|-------------|------|-----|------|
| AD  | 00   | P         | LTR | DESCRIPTION | DATE | DWN | APVD |
|     |      | -         |     | SEE SHEET 1 | -    | -   | -    |

|        |       |         |            |             |    |    |            |
|--------|-------|---------|------------|-------------|----|----|------------|
| 11     | 99.06 | [3.900] | 101.60     | [4.000]     | 80 | 12 | 9-535542-0 |
| 11     | 96.52 | [3.800] | 99.06      | [3.900]     | 78 | 12 | 8-535542-9 |
| 11     | 93.98 | [3.700] | 96.52      | [3.800]     | 76 | 12 | 8-535542-8 |
| 11     | 91.44 | [3.600] | 93.98      | [3.700]     | 74 | 12 | 8-535542-7 |
| 11     | 88.90 | [3.500] | 91.44      | [3.600]     | 72 | 12 | 8-535542-6 |
| 11     | 86.36 | [3.400] | 88.90      | [3.500]     | 70 | 12 | 8-535542-5 |
| 11     | 83.82 | [3.300] | 86.36      | [3.400]     | 68 | 12 | 8-535542-4 |
| 11     | 81.28 | [3.200] | 83.82      | [3.300]     | 66 | 12 | 8-535542-3 |
| 11     | 78.74 | [3.100] | 81.28      | [3.200]     | 64 | 12 | 8-535542-2 |
| 11     | 76.20 | [3.000] | 78.74      | [3.100]     | 62 | 12 | 8-535542-1 |
| 11     | 73.66 | [2.900] | 76.20      | [3.000]     | 60 | 12 | 8-535542-0 |
| 11     | 71.12 | [2.800] | 73.66      | [2.900]     | 58 | 12 | 7-535542-9 |
| 11     | 68.58 | [2.700] | 71.12      | [2.800]     | 56 | 12 | 7-535542-8 |
| 11     | 66.04 | [2.600] | 68.58      | [2.700]     | 54 | 12 | 7-535542-7 |
| 11     | 63.50 | [2.500] | 66.04      | [2.600]     | 52 | 12 | 7-535542-6 |
| 11     | 60.96 | [2.400] | 63.50      | [2.500]     | 50 | 12 | 7-535542-5 |
| 11     | 58.42 | [2.300] | 60.96      | [2.400]     | 48 | 12 | 7-535542-4 |
| 11     | 55.88 | [2.200] | 58.42      | [2.300]     | 46 | 12 | 7-535542-3 |
| 11     | 53.34 | [2.100] | 55.88      | [2.200]     | 44 | 12 | 7-535542-2 |
| 11     | 50.80 | [2.000] | 53.34      | [2.100]     | 42 | 12 | 7-535542-1 |
| 11     | 48.26 | [1.900] | 50.80      | [2.000]     | 40 | 12 | 7-535542-0 |
| 11     | 45.72 | [1.800] | 48.26      | [1.900]     | 38 | 12 | 6-535542-9 |
| 11     | 43.18 | [1.700] | 45.72      | [1.800]     | 36 | 12 | 6-535542-8 |
| 11     | 40.64 | [1.600] | 43.18      | [1.700]     | 34 | 12 | 6-535542-7 |
| 11     | 38.10 | [1.500] | 40.64      | [1.600]     | 32 | 12 | 6-535542-6 |
| 11     | 35.56 | [1.400] | 38.10      | [1.500]     | 30 | 12 | 6-535542-5 |
| 11     | 33.02 | [1.300] | 35.56      | [1.400]     | 28 | 12 | 6-535542-4 |
| 11     | 30.48 | [1.200] | 33.02      | [1.300]     | 26 | 12 | 6-535542-3 |
| 11     | 27.94 | [1.100] | 30.48      | [1.200]     | 24 | 12 | 6-535542-2 |
| 11     | 25.40 | [1.000] | 27.94      | [1.100]     | 22 | 12 | 6-535542-1 |
| 11     | 22.86 | [.900]  | 25.40      | [1.000]     | 20 | 12 | 6-535542-0 |
| 11     | 20.32 | [.800]  | 22.86      | [.900]      | 18 | 12 | 5-535542-9 |
| 11     | 17.78 | [.700]  | 20.32      | [.800]      | 16 | 12 | 5-535542-8 |
| 11     | 15.24 | [.600]  | 17.78      | [.700]      | 14 | 12 | 5-535542-7 |
| 11     | 12.70 | [.500]  | 15.24      | [.600]      | 12 | 12 | 5-535542-6 |
| 10     | 10.16 | [.400]  | 12.70      | [.500]      | 10 | 12 | 5-535542-5 |
| 10     | 7.62  | [.300]  | 10.16      | [.400]      | 8  | 12 | 5-535542-4 |
| 10     | 5.08  | [.200]  | 7.62       | [.300]      | 6  | 12 | 5-535542-3 |
| 10     | 2.54  | [.100]  | 5.08       | [.200]      | 4  | 12 | 5-535542-2 |
| 10     | -     |         | 2.54       | [.100]      | 2  | 12 | 5-535542-1 |
| FINISH | B     | A       | NO OF POSN | PART NUMBER |    |    |            |

|        |       |         |            |             |    |   |            |
|--------|-------|---------|------------|-------------|----|---|------------|
| 2      | 99.06 | [3.900] | 101.60     | [4.000]     | 80 | 2 | 4-535542-0 |
| 2      | 96.52 | [3.800] | 99.06      | [3.900]     | 78 | 2 | 3-535542-9 |
| 2      | 93.98 | [3.700] | 96.52      | [3.800]     | 76 | 2 | 3-535542-8 |
| 2      | 91.44 | [3.600] | 93.98      | [3.700]     | 74 | 2 | 3-535542-7 |
| 2      | 88.90 | [3.500] | 91.44      | [3.600]     | 72 | 2 | 3-535542-6 |
| 2      | 86.36 | [3.400] | 88.90      | [3.500]     | 70 | 2 | 3-535542-5 |
| 2      | 83.82 | [3.300] | 86.36      | [3.400]     | 68 | 2 | 3-535542-4 |
| 2      | 81.28 | [3.200] | 83.82      | [3.300]     | 66 | 2 | 3-535542-3 |
| 2      | 78.74 | [3.100] | 81.28      | [3.200]     | 64 | 2 | 3-535542-2 |
| 2      | 76.20 | [3.000] | 78.74      | [3.100]     | 62 | 2 | 3-535542-1 |
| 2      | 73.66 | [2.900] | 76.20      | [3.000]     | 60 | 2 | 3-535542-0 |
| 2      | 71.12 | [2.800] | 73.66      | [2.900]     | 58 | 2 | 2-535542-9 |
| 2      | 68.58 | [2.700] | 71.12      | [2.800]     | 56 | 2 | 2-535542-8 |
| 2      | 66.04 | [2.600] | 68.58      | [2.700]     | 54 | 2 | 2-535542-7 |
| 2      | 63.50 | [2.500] | 66.04      | [2.600]     | 52 | 2 | 2-535542-6 |
| 2      | 60.96 | [2.400] | 63.50      | [2.500]     | 50 | 2 | 2-535542-5 |
| 2      | 58.42 | [2.300] | 60.96      | [2.400]     | 48 | 2 | 2-535542-4 |
| 2      | 55.88 | [2.200] | 58.42      | [2.300]     | 46 | 2 | 2-535542-3 |
| 2      | 53.34 | [2.100] | 55.88      | [2.200]     | 44 | 2 | 2-535542-2 |
| 2      | 50.80 | [2.000] | 53.34      | [2.100]     | 42 | 2 | 2-535542-1 |
| 2      | 48.26 | [1.900] | 50.80      | [2.000]     | 40 | 2 | 2-535542-0 |
| 2      | 45.72 | [1.800] | 48.26      | [1.900]     | 38 | 2 | 1-535542-9 |
| 2      | 43.18 | [1.700] | 45.72      | [1.800]     | 36 | 2 | 1-535542-8 |
| 2      | 40.64 | [1.600] | 43.18      | [1.700]     | 34 | 2 | 1-535542-7 |
| 2      | 38.10 | [1.500] | 40.64      | [1.600]     | 32 | 2 | 1-535542-6 |
| 2      | 35.56 | [1.400] | 38.10      | [1.500]     | 30 | 2 | 1-535542-5 |
| 2      | 33.02 | [1.300] | 35.56      | [1.400]     | 28 | 2 | 1-535542-4 |
| 2      | 30.48 | [1.200] | 33.02      | [1.300]     | 26 | 2 | 1-535542-3 |
| 2      | 27.94 | [1.100] | 30.48      | [1.200]     | 24 | 2 | 1-535542-2 |
| 2      | 25.40 | [1.000] | 27.94      | [1.100]     | 22 | 2 | 1-535542-1 |
| 2      | 22.86 | [.900]  | 25.40      | [1.000]     | 20 | 2 | 1-535542-0 |
| 2      | 20.32 | [.800]  | 22.86      | [.900]      | 18 | 2 | 535542-9   |
| 2      | 17.78 | [.700]  | 20.32      | [.800]      | 16 | 2 | 535542-8   |
| 2      | 15.24 | [.600]  | 17.78      | [.700]      | 14 | 2 | 535542-7   |
| 2      | 12.70 | [.500]  | 15.24      | [.600]      | 12 | 2 | 535542-6   |
| 2      | 10.16 | [.400]  | 12.70      | [.500]      | 10 | 2 | 535542-5   |
| 2      | 7.62  | [.300]  | 10.16      | [.400]      | 8  | 2 | 535542-4   |
| 2      | 5.08  | [.200]  | 7.62       | [.300]      | 6  | 2 | 535542-3   |
| 2      | 2.54  | [.100]  | 5.08       | [.200]      | 4  | 2 | 535542-2   |
| 2      | -     |         | 2.54       | [.100]      | 2  | 2 | 535542-1   |
| FINISH | B     | A       | NO OF POSN | PART NUMBER |    |   |            |

THIS DRAWING IS A CONTROLLED DOCUMENT.

DWN: M. BINNER 06NOV2002  
 CHK: J. OLSON 06NOV02  
 APVD: J. OLSON 06NOV02

TE Connectivity

RECEPTACLE ASSEMBLY, MOD IV,  
 DOUBLE ROW, DUAL ENTRY, .100X.100CL,  
 VERTICAL MOUNT, AMPMODU

PRODUCT SPEC: 108-25022  
 APPLICATION SPEC: 114-25018

SIZE: A2 CAGE CODE: 00779 DRAWING NO: C=535542 RESTRICTED TO: -

MATERIAL: 1 FINISH: 2, 11 WEIGHT: - SCALE: 1:1 SHEET: 2 of 2 REV: U5

CUSTOMER DRAWING

# Mouser Electronics

Authorized Distributor

Click to View Pricing, Inventory, Delivery & Lifecycle Information:

[TE Connectivity:](#)

[3-535542-5](#)