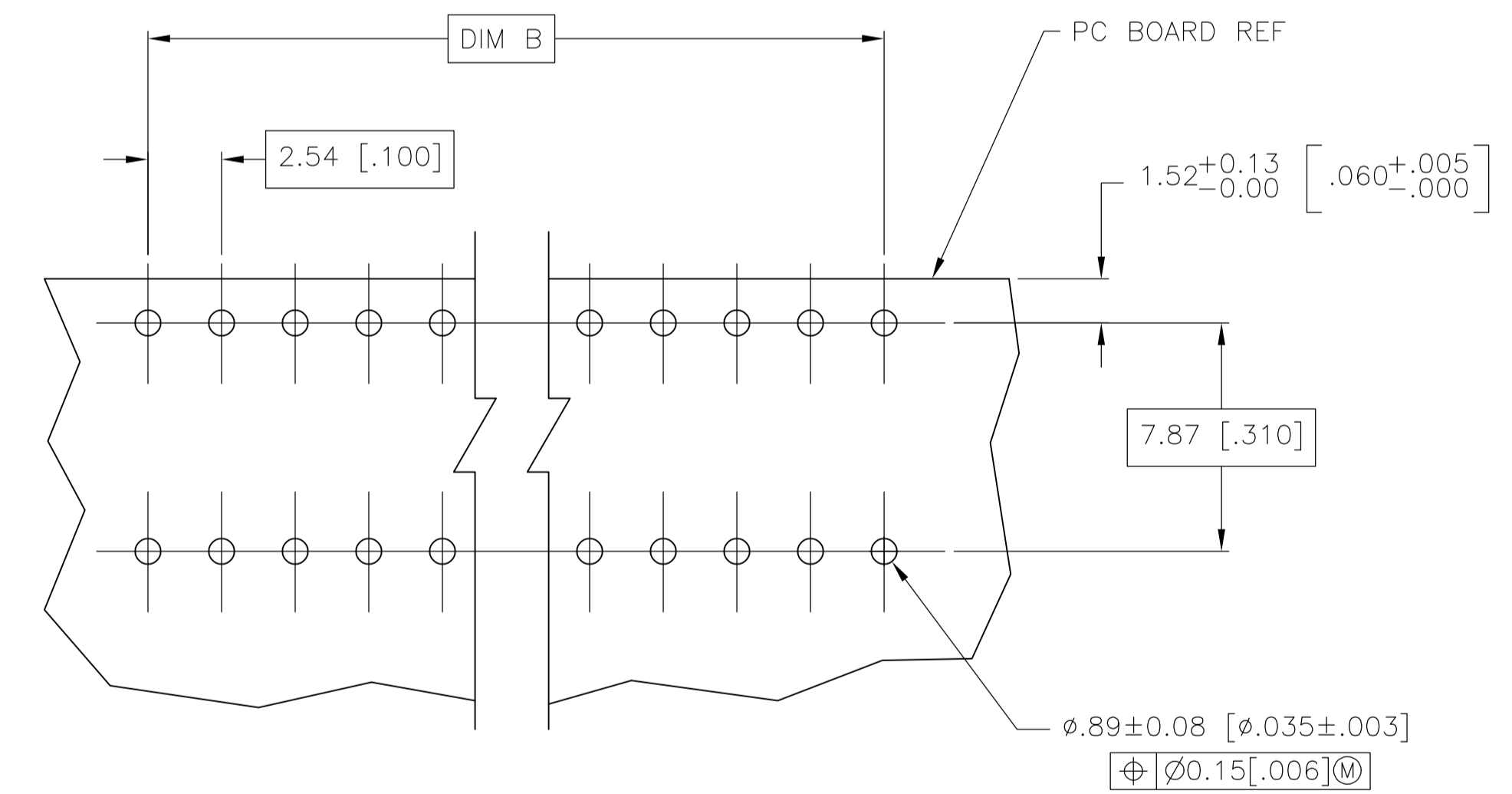
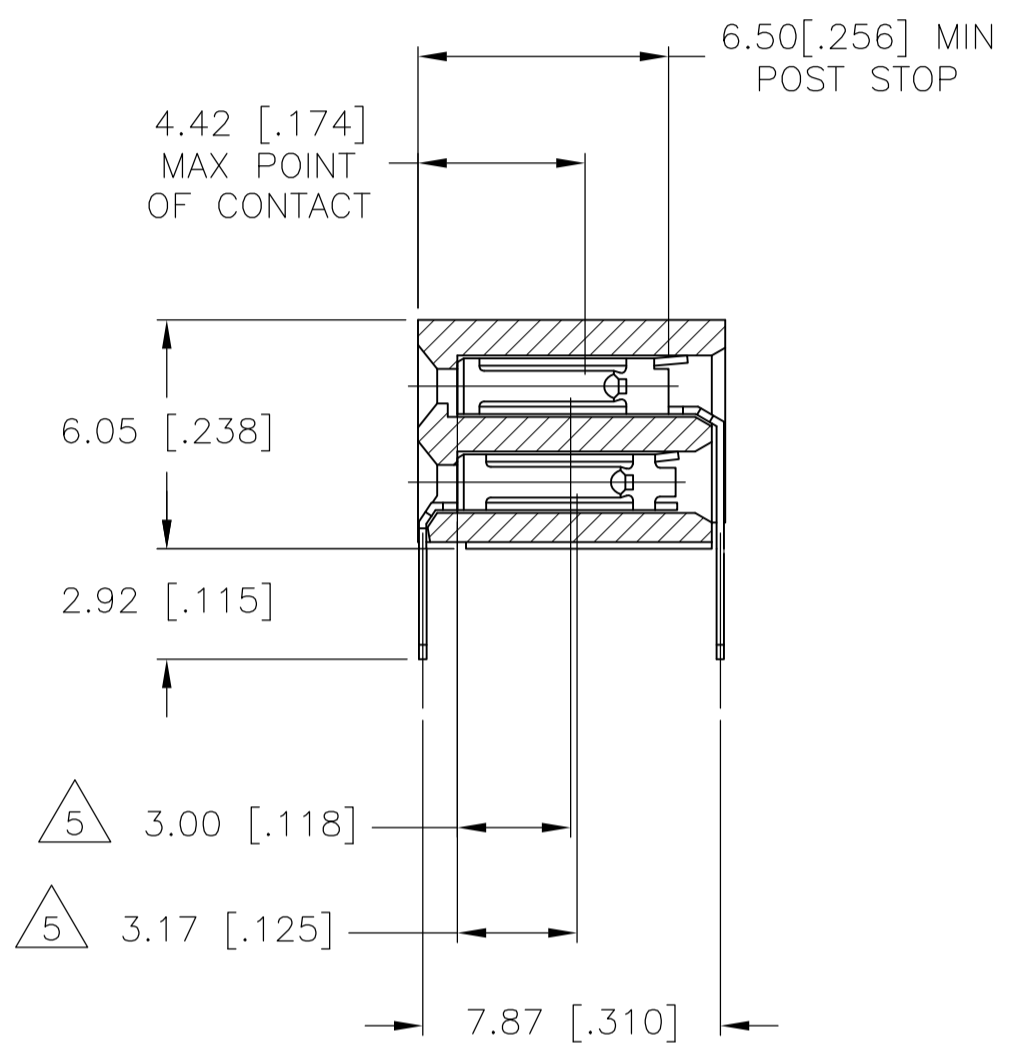
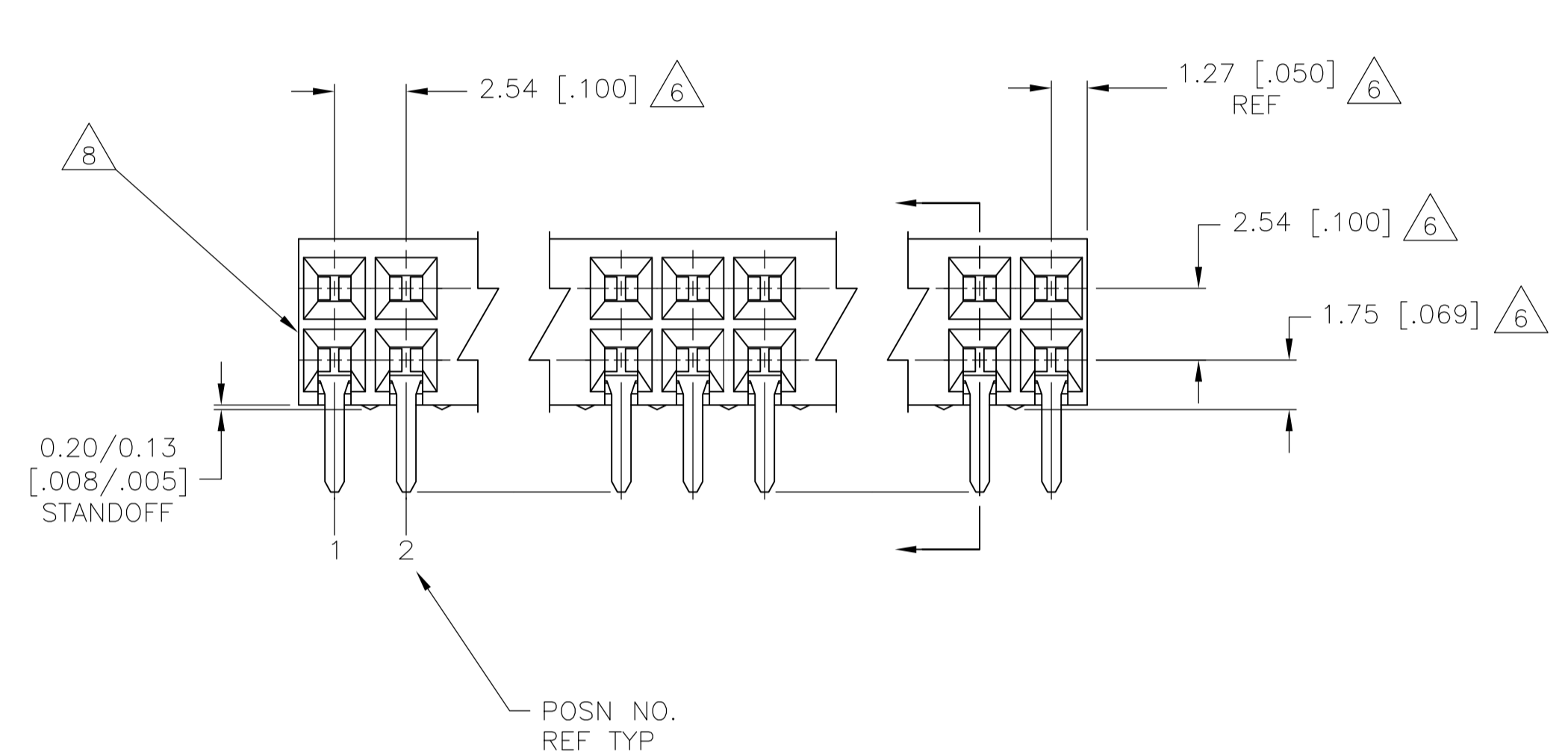
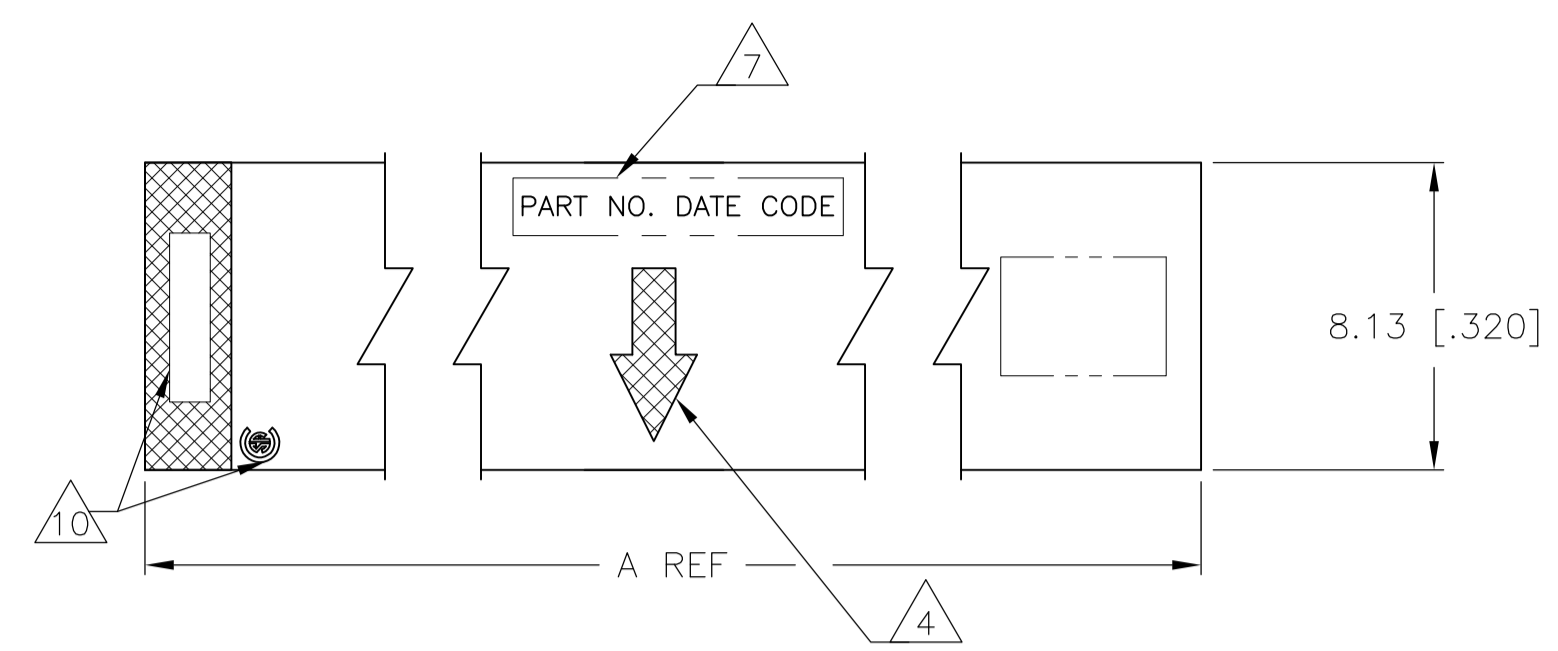


REVISONS		DATE	BY	APPROV
AD	00	02APR13	KH	JO



RECOMMENDED PC BOARD LAYOUT

- 1 HOUSING MATERIAL: GLASS FILLED POLYESTER, COLOR- BLACK
- 2 CONTACT MATERIAL: PHOSPHOR BRONZE
- 3 CONTACT FINISH: 0.00076[.000030] THK DUPLEX PLATED GOLD ON CONTACT AREA, 0.00127[.000050] MIN THK BRIGHT TIN-LEAD ON SOLDERLEADS, ALL OVER 0.00127[.000050] NICKEL
- 4 MOLDED IN ARROW DESIGNATES THE MATING FACE OF THE CONNECTOR
- 5 POINT OF MEASUREMENT FOR PLATING THICKNESS OF CONTACT AREA
- 6 DIMENSIONS PERTAIN TO HOUSING CAVITY CENTERLINES
- 7 PART NUMBER AND DATE CODE MARKED IN APPROXIMATE LOCATION SHOWN, EITHER END.
- 8 ALTERNATE LOCATION FOR DATE CODE FOR 4 AND 6 POSITION.
- 10 TE LOGO AND CSA LOGO ARE MOLDED INTO HOUSING, THIS LOCATION.

NO. OF POSN	ASSEMBLY PART NUMBER
10.16 [.400]	6-535512-4
7.62 [.300]	6-535512-3
5.08 [.200]	6-535512-2
2.54 [.100]	6-535512-1
162.56 [6.400]	6-535512-0
160.02 [6.300]	5-535512-9
157.48 [6.200]	5-535512-8
152.40 [6.000]	5-535512-7
149.86 [5.900]	5-535512-6
147.32 [5.800]	5-535512-5
144.78 [5.700]	5-535512-4
142.24 [5.600]	5-535512-3
139.70 [5.500]	5-535512-2
137.16 [5.400]	5-535512-1
134.62 [5.300]	5-535512-0
132.08 [5.200]	4-535512-9
129.54 [5.100]	4-535512-8
127.00 [5.000]	4-535512-7
124.46 [4.900]	4-535512-6
121.92 [4.800]	4-535512-5
119.38 [4.700]	4-535512-4
116.84 [4.600]	4-535512-3
114.30 [4.500]	4-535512-2
111.76 [4.400]	4-535512-1
109.22 [4.300]	4-535512-0
106.68 [4.200]	3-535512-9
104.14 [4.100]	3-535512-8
101.60 [4.000]	3-535512-7
99.06 [3.900]	3-535512-6
96.52 [3.800]	3-535512-5
93.98 [3.700]	3-535512-4
91.44 [3.600]	3-535512-3
88.90 [3.500]	3-535512-2
86.36 [3.400]	3-535512-1
83.82 [3.300]	3-535512-0
81.28 [3.200]	3-535512-9
78.74 [3.100]	3-535512-8
76.20 [3.000]	3-535512-7
73.66 [2.900]	3-535512-6
71.12 [2.800]	3-535512-5
68.58 [2.700]	3-535512-4
66.04 [2.600]	3-535512-3
63.50 [2.500]	3-535512-2
60.96 [2.400]	3-535512-1
58.42 [2.300]	3-535512-0
55.88 [2.200]	2-535512-9
53.34 [2.100]	2-535512-8
50.80 [2.000]	2-535512-7
48.26 [1.900]	2-535512-6
45.72 [1.800]	2-535512-5
43.18 [1.700]	2-535512-4
40.64 [1.600]	2-535512-3
38.10 [1.500]	2-535512-2
35.56 [1.400]	2-535512-1
33.02 [1.300]	2-535512-0
30.48 [1.200]	1-535512-9
27.94 [1.100]	1-535512-8
25.40 [1.000]	1-535512-7
22.86 [.900]	1-535512-6
20.32 [.800]	1-535512-5
17.78 [.700]	1-535512-4
15.24 [.600]	1-535512-3
12.70 [.500]	1-535512-2
10.16 [.400]	1-535512-1
7.62 [.300]	1-535512-0
5.08 [.200]	1-535512-9
2.54 [.100]	1-535512-8

THIS DRAWING IS A CONTROLLED DOCUMENT.

APPROVED BY: J. OLSON, 17MAY02

DATE: 17MAY02

NAME: AMPMODU MOD II RECEPTACLE ASSEMBLY, HORIZONTAL, .100 CL, 2 ROW, CLOSED-ENTRY, SHORT POINT OF CONTACT, END-TO-END STACKABLE

SIZE: A1, CASE CODE: 00779, DRAWING NO: 535512

WEIGHT: --

CUSTOMER DRAWING

SCALE: 5:1

SHEET: 1 OF 1

REV: Y6

Mouser Electronics

Authorized Distributor

Click to View Pricing, Inventory, Delivery & Lifecycle Information:

[TE Connectivity:](#)

[6-535512-1](#)