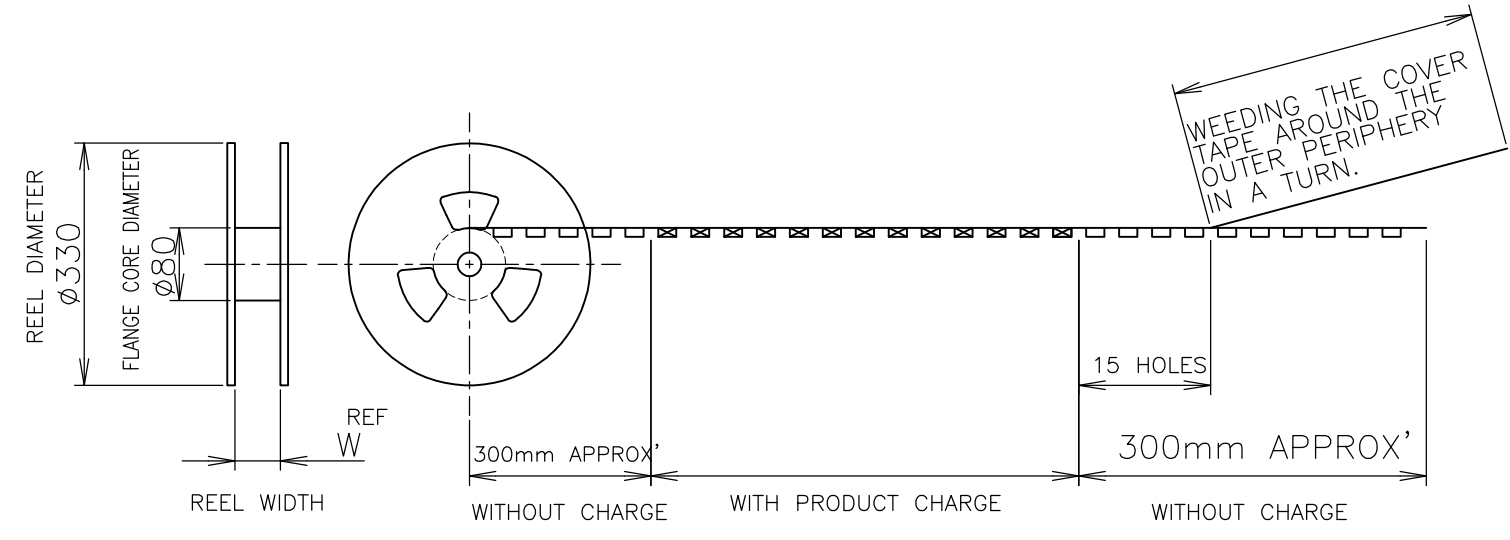
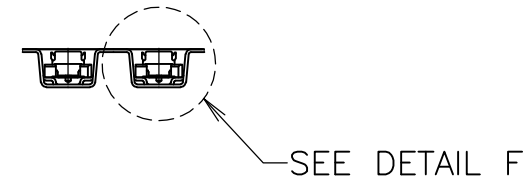
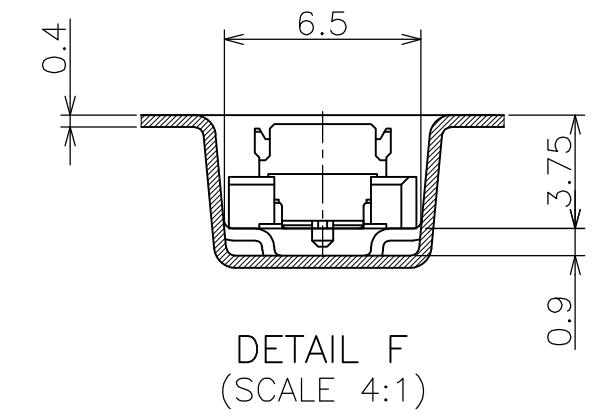
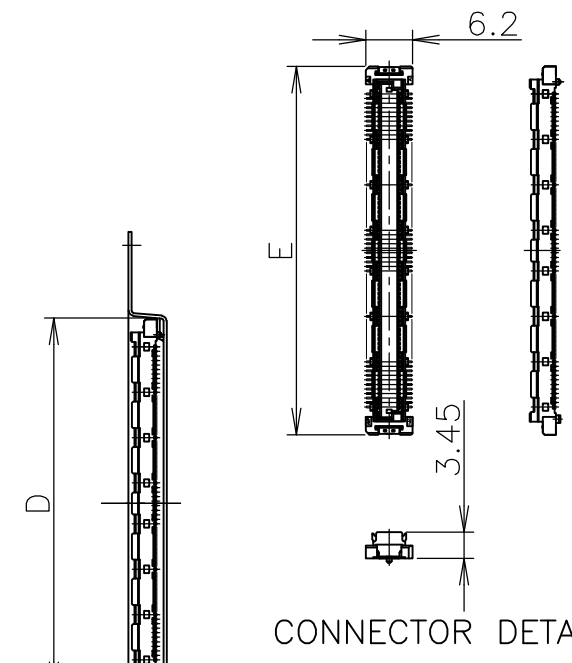
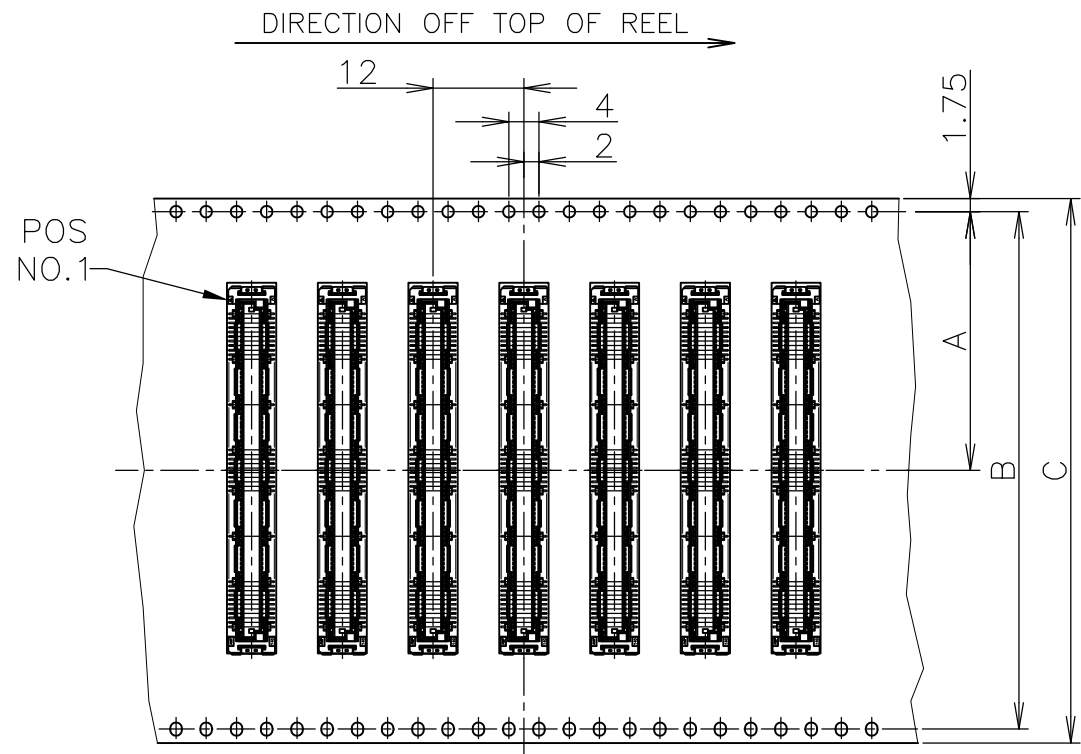


THIS DRAWING IS UNPUBLISHED. RELEASED FOR PUBLICATION JUN , 1996.
 © COPYRIGHT 1996 By - ALL RIGHTS RESERVED.

LOC	DIST	REVISIONS 変更			
P	LTR	DESCRIPTION	DATE	DWN	APVD
	B1	REVISED ECR-15-012060	14SEP2015	I.T	W.H
	C	REVISED PER ECO-17-002393	27MAY17	B.J	S.Y



WEEDING THE COVER TAPE AROUND THE OUTER PERIPHERY IN A TURN.

HOUSING COLOR	SEALANT	TOOLING STATUS	QTY.	W	E	D	C	B	A	POS.	PART NO.
BLACK	AVAILABLE	1000	77.5	48.7	49	72	68.4	34.2	140	8-5353183-0	
	NOT AVAILABLE		77.5	54.7	55	72	68.4	34.2	160	6-5353183-1	
	AVAILABLE		77.5	48.7	49	72	68.4	34.2	140	6- -0	
	NOT AVAILABLE		61.5	42.7	43	56	52.4	26.2	120	5- -9	
	AVAILABLE		61.5	36.7	37	56	52.4	26.2	100	5- -8	
	NOT AVAILABLE		61.5	33.7	34	56	52.4	26.2	90	5- -7	
	AVAILABLE		49.5	30.7	31	44	40.4	20.2	80	5- -6	
	NOT AVAILABLE		49.5	27.7	28	44	40.4	20.2	70	5- -5	
	AVAILABLE		49.5	24.7	25	44	40.4	20.2	60	5- -4	
	NOT AVAILABLE		37.5	21.7	22	32	28.4	14.2	50	5- -3	
NATURAL	AVAILABLE	1000	77.5	48.7	49	72	68.4	34.2	140	8-5353183-0	
	NOT AVAILABLE		77.5	54.7	55	72	68.4	34.2	160	6-5353183-1	
	AVAILABLE		77.5	48.7	49	72	68.4	34.2	140	1- -0	
	NOT AVAILABLE		61.5	42.7	43	56	52.4	26.2	120	- -9	
	AVAILABLE		61.5	36.7	37	56	52.4	26.2	100	- -8	
	NOT AVAILABLE		61.5	33.7	34	56	52.4	26.2	90	- -7	
	AVAILABLE		49.5	30.7	31	44	40.4	20.2	80	- -6	
	NOT AVAILABLE		49.5	27.7	28	44	40.4	20.2	70	- -5	
	AVAILABLE		49.5	24.7	25	44	40.4	20.2	60	- -4	
	NOT AVAILABLE		37.5	21.7	22	32	28.4	14.2	50	- -3	
NON SEALANT	AVAILABLE	1000	77.5	48.7	49	72	68.4	34.2	140	8-5353183-0	
	NOT AVAILABLE		77.5	54.7	55	72	68.4	34.2	160	6-5353183-1	
	AVAILABLE		77.5	48.7	49	72	68.4	34.2	140	1- -0	
	NOT AVAILABLE		61.5	42.7	43	56	52.4	26.2	120	- -9	
	AVAILABLE		61.5	36.7	37	56	52.4	26.2	100	- -8	
	NOT AVAILABLE		61.5	33.7	34	56	52.4	26.2	90	- -7	
	AVAILABLE		49.5	30.7	31	44	40.4	20.2	80	- -6	
	NOT AVAILABLE		49.5	27.7	28	44	40.4	20.2	70	- -5	
	AVAILABLE		49.5	24.7	25	44	40.4	20.2	60	- -4	
	NOT AVAILABLE		37.5	21.7	22	32	28.4	14.2	50	- -3	

3 THIS PRODUCT WAS COATED BY FLUX-PENETRATION -INHIBITING AGENT.

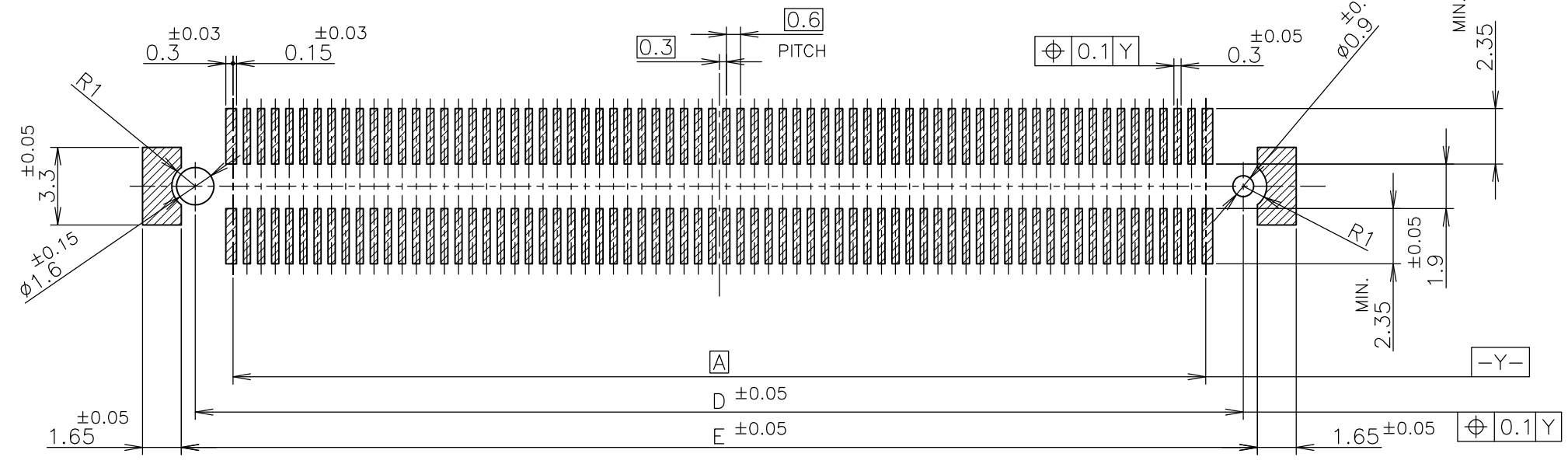
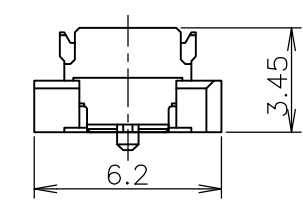
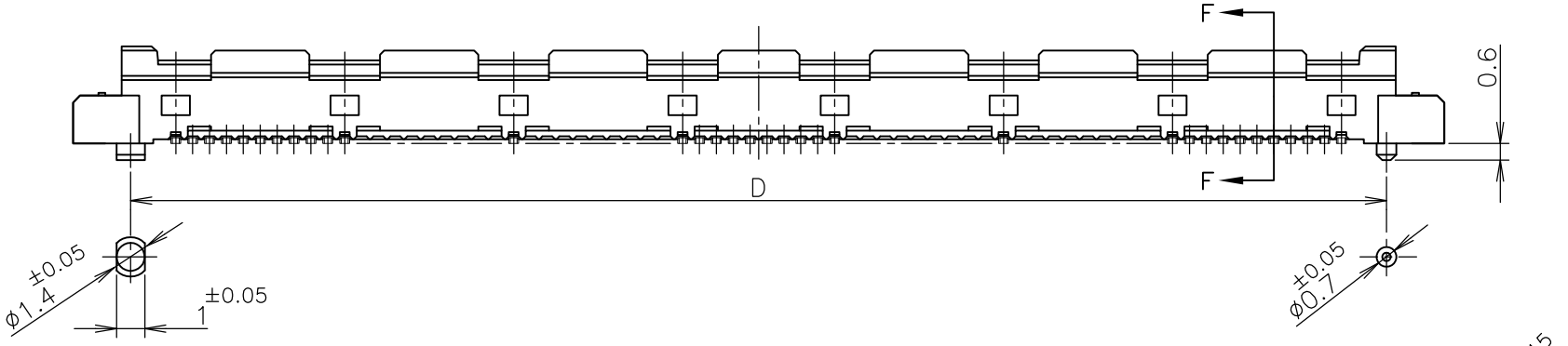
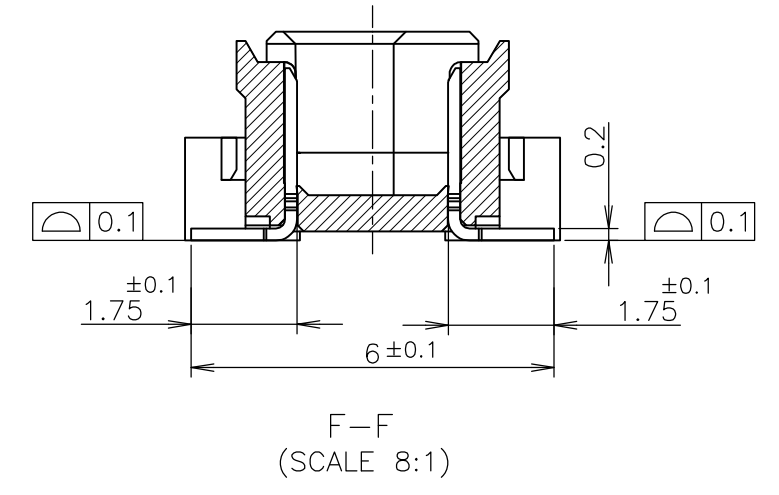
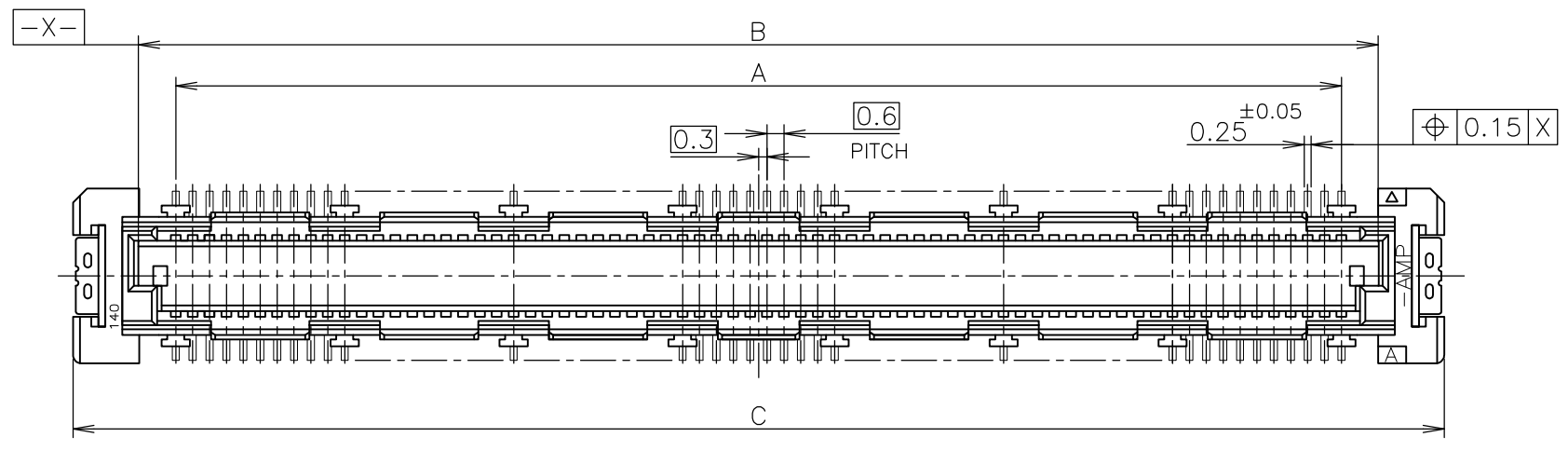
THIS DRAWING IS A CONTROLLED DOCUMENT.

DIMENSIONS: 単位: 耗 mm	TOLERANCES UNLESS OTHERWISE SPECIFIED: 一般公差
0 PLC ± 0.2	1 PLC ± 0.2
2 PLC ± 0.2	3 PLC ± 0.2
4 PLC ± 0.2	ANGLES ± 5'
MATERIAL 材料	FINISH 仕上

DWN HAWKING HE 20DEC04	 TE Connectivity EMBOSS ASSY FH 0.6BTB CONNECTOR PLUG 4H STD TYPE
CHK STEVEN YAO 20DEC04	
APVD I.ENOMOTO 20DEC04	
NAME 名称	
PRODUCT SPEC 製品規格 108-60047	SIZE A3 CAGE CODE 00779 DRAWING NO 番号 G-5353183
APPLICATION SPEC 取付適用規格 114-5255	
WEIGHT	RESTRICTED TO
CUSTOMER DRAWING	SCALE 尺度 1:1
	SHEET 1 OF 2
	REV C

THIS DRAWING IS UNPUBLISHED. RELEASED FOR PUBLICATION JUN , 1996.
 © COPYRIGHT 1996 By - ALL RIGHTS RESERVED.

LOC	DIST	REVISIONS					
J		P	LTR	DESCRIPTION	DATE	DWN	APVD
		-		SEE SHEET 1	-	-	-



△ MATERIAL ; HOUSING : HIGH TEMP THERMO PLASTIC UL94V-0
 CONTACT : COPPER ALLOY
 △ FINISH ; UNDER PL Ni 0.0013mm MIN ALL OVER.
 CONTACT AREA 0.0002 MIN Au PL.
 SOLDERING AREA 0.001 MIN TIN PL.

REFERENCE P.C.BOARD LAYOUT

ACTIVE	AVAILABLE	51.8	50.6	54.7	50	47.4	160
ACTIVE	AVAILABLE	45.8	44.6	48.7	44	41.4	140
OBSOLETE	NOT AVAILABLE	39.8	38.6	42.7	38	35.4	120
ACTIVE	AVAILABLE	33.8	32.6	36.7	32	29.4	100
OBSOLETE	NOT AVAILABLE	30.8	29.6	33.7	29	26.4	90
OBSOLETE	NOT AVAILABLE	27.8	26.6	30.7	26	23.4	80
ACTIVE	AVAILABLE	24.8	23.6	27.7	23	20.4	70
ACTIVE	AVAILABLE	21.8	20.6	24.7	20	17.4	60
ACTIVE	AVAILABLE	18.8	17.6	21.7	17	14.4	50
OBSOLETE	NOT AVAILABLE	15.8	14.6	18.7	14	11.4	40
OBSOLETE	NOT AVAILABLE	12.8	11.6	15.7	11	8.4	30
STATUS	TOOLING STATUS	E	D	C	B	A	POS

THIS DRAWING IS A CONTROLLED DOCUMENT.		DWN		TE Connectivity	
DIMENSIONS: 單位: 耗 mm		CHK			
TOLERANCES UNLESS OTHERWISE SPECIFIED: 一般公差		APVD			
0 PLC ± 0.3 1 PLC ± 0.3 2 PLC ± 0.3 3 PLC ± 0.3 4 PLC ± 0.3 ANGLES ± 3°		PRODUCT SPEC 製品規格			
MATERIAL 材料		FINISH 仕上		NAME 名称	
△ 1		△ 2		EMBOSS ASSY	
				FH 0.6BTB CONNECTOR	
				PLUG 4H STD TYPE	
		SIZE	CAGE CODE	DRAWING NO 番号	RESTRICTED TO
		A3	00779	C-5353183	
CUSTOMER DRAWING		SCALE 尺度	4:1	SHEET 2 OF 2	REV C

Mouser Electronics

Authorized Distributor

Click to View Pricing, Inventory, Delivery & Lifecycle Information:

[TE Connectivity:](#)

[1-5353183-0](#)