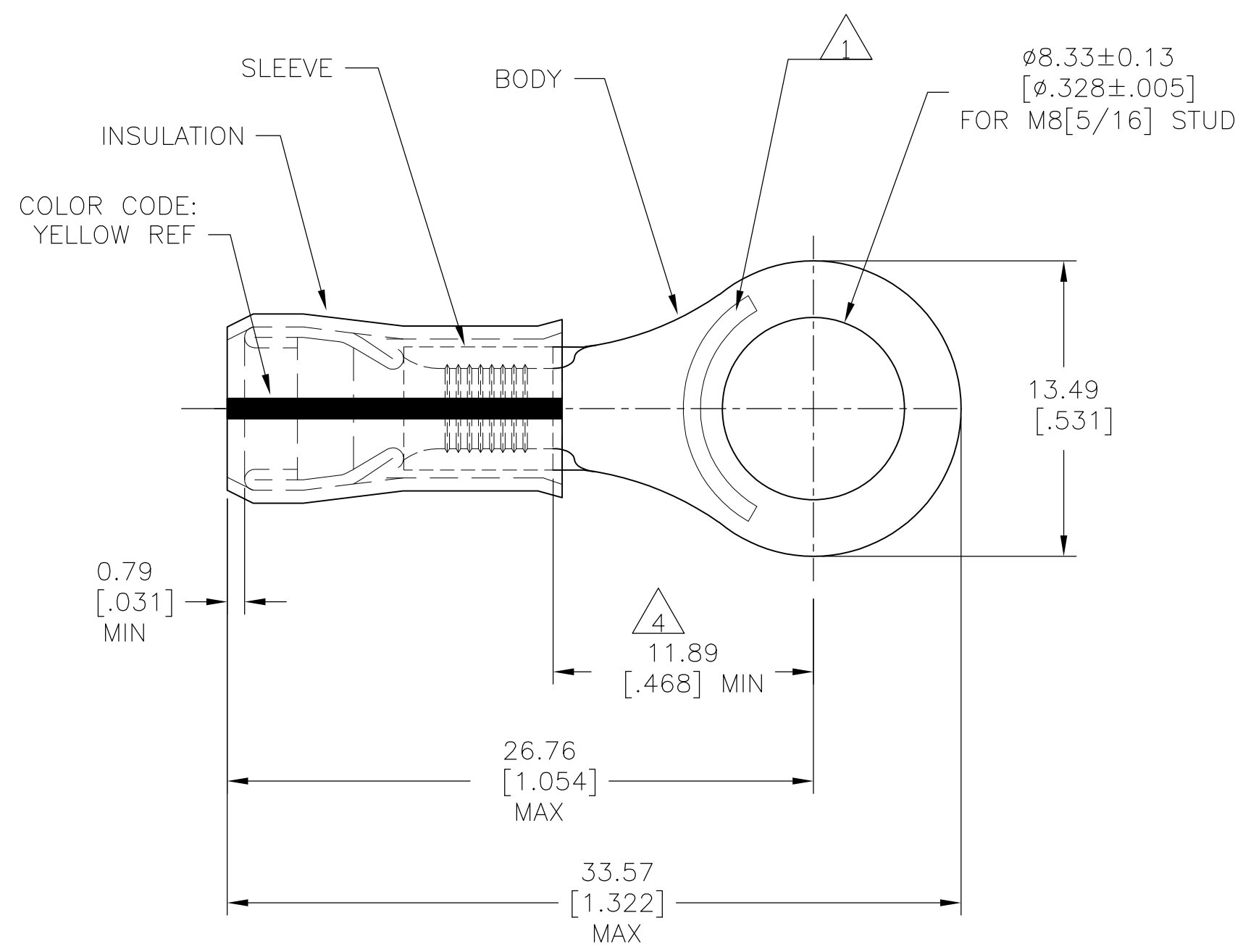


THIS DRAWING IS UNPUBLISHED. RELEASED FOR PUBLICATION
 © COPYRIGHT - By - ALL RIGHTS RESERVED.

LOC	DIST	REVISIONS			
P	LTR	DESCRIPTION	DATE	DWN	APVD
G	14	R3	REVISED PER ECO-12-007718	08MAY12	KH DR



QTY	PACKAGE TYPE	MATERIAL & FINISH	PART NO
500	LOOSE PIECE	BODY & SLEEVE: COPPER PER ASTM B152 TIN-LEAD (93-7) PLATE PER ASTM B545, (3% MIN LEAD CONTENT) INSULATION: PVF2 COLOR - NATURAL	△ 53427-1

AMP INCORPORATED CUSTOMER SERVICE SYSTEMS		MAX RECOMMENDED OPERATING TEMPERATURE: 150°C [302°F] MAX
FOR ADDITIONAL PRODUCT INFORMATION OR COPIES OF DRAWINGS AND TECHNICAL DOCUMENTS	PRODUCT INFORMATION CENTER 1-800-522-6752	VOLTAGE RATING: -
FOR APPLICATION TOOLING INFORMATION	TOOLING ASSISTANCE CENTER 1-800-722-1111	CIRCULAR MIL AREA: 2.62-6.64mm² [5,180-13,100] STRANDED
FOR ORDER ENTRY	1-800-526-5142	THIS DRAWING IS A CONTROLLED DOCUMENT FOR AMP INCORPORATED. IT IS SUBJECT TO CHANGE AND THE CONTROLLING ENGINEERING ORGANIZATION SHOULD BE CONTACTED FOR THE LATEST REVISION.

THIS DRAWING IS A CONTROLLED DOCUMENT.	
DIMENSIONS: mm [INCHES]	TOLERANCES UNLESS OTHERWISE SPECIFIED:
	0 PLC ± -
	1 PLC ± -
	2 PLC ± -
	3 PLC ± 0.20[.008]
	4 PLC ± -
	ANGLES ± -
MATERIAL SEE TABLE	FINISH SEE TABLE

DWN JR RUTH 16OCT07	TE Connectivity	NAME		
CHK T MICHIELUTTI 16OCT07		TERMINAL, RING TONGUE, PVF2, P.I.D.G. WIRE SIZE: 12-10 AWG		
APVD T MICHIELUTTI 16OCT07		SIZE	CAGE CODE	DRAWING NO
PRODUCT SPEC		A3	00779	C-53427
APPLICATION SPEC	WEIGHT	RESTRICTED TO		
	-	-		
CUSTOMER DRAWING		SCALE	SHEET	
		4:1	1 OF 1	
		REV	R3	

Mouser Electronics

Authorized Distributor

Click to View Pricing, Inventory, Delivery & Lifecycle Information:

[TE Connectivity:](#)

[53427-1](#)