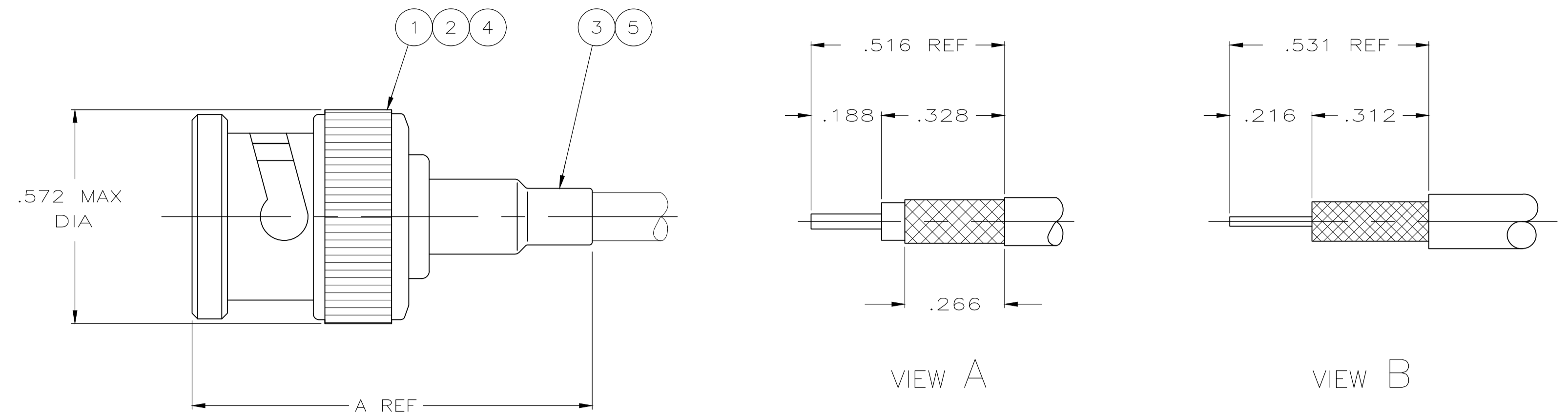


| REVISIONS |             |               |           |       |
|-----------|-------------|---------------|-----------|-------|
| P         | LTR         | DESCRIPTION   | DATE      | APPV  |
| D3        | REVISED PER | ECR-20-007424 | 27MAY2020 | ED RS |



- 1 CABLE USED WITHOUT SPACER
- 2 CABLE USED WITH SPACER
- 3. SEE INSTRUCTION SHEET 408-2798
- 4. PARTS PACKAGED UNASSEMBLED
- 5 USE WITH HAND TOOL FRAME 354940-1
- 6 USE WITH HANDTOOL 69710-1, OR PNEUMATIC TOOL 69365 & 69365-3
- 7 OBSOLETE PARTS: OBSOLETE CIS STREAMLINING PER D.RENAUD/D.SINISI

RECOMMENDED STRIP LENGTH

|   |   |           |           |            |      |       |                |                |                 |                 |                   |             |
|---|---|-----------|-----------|------------|------|-------|----------------|----------------|-----------------|-----------------|-------------------|-------------|
|   | RG-174/U & 188/U                                | 220217-3  | 220210-1  | 220009-5   | A    | 1.090 | 227194-1       | -              | 9-328666-4      | 227322-8        | 9-227074-1        | 8-5227079-3 |
|   | RG-188 DOUBLE BRAID AND RG-316 DOUBLE BRAID     | -         | 58330-1   | 69477-4    | A    | -     | 227194-1       | -              | 9-329049-0      | 227322-8        | 9-413530-3        | 8-5227079-2 |
|   | RG-59/U,59A/U AND 59B/U                         | 220217-2  | 220189-2  | 220187-2   | B    | 1.090 | -              | 227423-1       | 9-50428-0       | 221607-6        | 9-413530-0        | 8-5227079-1 |
|   | RG-62/U,62A/U AND 62B/U                         | 220217-1  | 220189-1  | 220187-1   | A    | 1.090 | -              | -              | 9-50427-1       | 221607-5        | 9-227074-0        | 8-5227079-0 |
| ⚠ | OBSOLETE BELDEN 88240 AND BERK-TEK BTDC-58      | 220217-1  | 220189-1  | 220187-1   | A    | 1.312 | -              | -              | 9-228783-0      | 221607-5        | 9-227074-0        | 7-5227079-5 |
|   | RG-62/U,62A/U AND 62B/U                         | 220217-2  | 220189-2  | 220187-2   | B    | 1.090 | -              | 227423-1       | 9-50428-0       | 9-221607-6      | 9-413530-0        | 7-5227079-2 |
|   | RG-59/U,59A/U AND 59B/U                         | 220217-2  | 220189-2  | 220187-2   | A    | 1.090 | -              | -              | 9-50427-1       | 221607-5        | 9-227074-0        | 8-5227079-0 |
|   | BELDEN 89907                                    | -         | 318452-2  | -          | A    | 1.312 | -              | -              | 9-228783-0      | 1-221607-6      | 9-227074-0        | 6-5227079-8 |
|   | BELDEN 9907 AND RG-141A/U                       | 220217-1  | 220189-1  | 220187-1   | A    | 1.090 | -              | -              | 9-50427-1       | 1-221607-6      | 9-227074-0        | 6-5227079-7 |
|   | BELDEN 9290                                     | -         | -         | 220043-1   | A    | 1.490 | -              | -              | 9-51713-3       | 1-221607-6      | 9-413530-1        | 6-5227079-5 |
| ⚠ | OBSOLETE BELDEN 9907                            | 220217-1  | 220189-1  | 220187-1   | A    | 1.090 | -              | -              | 9-50427-1       | 1-221607-6      | 9-227074-0        | 6-5227079-4 |
|   | RG-142/U,142A/U, AND 142B/U                     | 220217-1  | 220189-1  | 220187-1   | A    | 1.280 | -              | -              | 9-225382-0      | 1-221607-6      | 9-227074-0        | 6-5227079-1 |
| ⚠ | OBSOLETE HI TEMP RG-59/U,TIMES PL59 AND PLF59   | -         | 220189-5  | -          | A    | 1.312 | -              | -              | 9-228784-0      | 221607-5        | 9-413530-0        | 5-5227079-3 |
|   | BELDEN 88240 AND BERK-TEK BTDC-58               | 220217-1  | 318452-2  | -          | A    | 1.312 | -              | -              | 9-228783-0      | 221607-5        | 9-227074-0        | 4-5227079-3 |
|   | RG-179/U & 187/U                                | 220217-3  | 220210-1  | 220009-5   | A    | 1.090 | 227194-1       | -              | 9-328666-0      | 227322-4        | 9-227074-1        | 2-5227079-2 |
|   | RG-179/U & 187/U                                | 220217-3  | 220210-1  | 220009-5   | A    | 1.090 | 227194-1       | -              | 9-328666-0      | 9-227322-1      | 9-413530-3        | 2-5227079-0 |
|   | BELDEN 8218,AMPHENOL 21-597 & BELDEN NH SPECIAL | -         | 58330-1   | 69477-4    | A    | 1.100 | -              | -              | 9-329461-0      | 2-221607-2      | 9-413530-2        | 1-5227079-9 |
|   | RG-174/U & 188/U                                | 220217-3  | 220210-1  | 220009-5   | A    | 1.090 | 227194-1       | -              | 9-328666-0      | 227322-8        | 9-227074-1        | 1-5227079-6 |
| 1 | RG-59/U,59A/U & 59B/U                           | 220217-2  | 220189-2  | 220187-2   | A    | 1.090 | -              | 227423-1       | 9-50428-0       | 9-221607-6      | 9-413530-0        | 1-5227079-1 |
| 2 | RG-62/U,62A/U & 62B/U                           | 220217-1  | 220189-1  | 220187-1   | B    | 1.090 | -              | -              | 9-50427-1       | 9-221607-5      | 9-227074-0        | 5227079-9   |
| 1 | RG-58/U,58A/U,58B/U,58C/U & 141/U               | 220217-1  | 220189-1  | 220187-1   | A    | 1.090 | -              | -              | 9-50427-1       | 9-221607-5      | 9-227074-0        | 5227079-9   |
| 1 | RG-59/U,59A/U & 59B/U                           | 220217-2  | 220189-2  | 220187-2   | A    | 1.090 | -              | 227423-1       | 9-50428-0       | 221607-6        | 9-227074-2        | 5227079-7   |
| 2 | RG-62/U,62A/U & 62B/U                           | 220217-1  | 220189-1  | 220187-1   | B    | 1.090 | -              | -              | 9-50427-1       | 221607-5        | 9-227074-0        | 5227079-6   |
|   | RG-55/U,55A/U,55B/U, & 223/U                    | 220217-1  | 220189-1  | 220187-1   | A    | 1.280 | -              | -              | 9-225382-0      | 221607-5        | 9-227074-0        | 5227079-6   |
|   | RG-58/U,58A/U,58B/U,58C/U & 141/U               | 220217-1  | 220189-1  | 220187-1   | A    | 1.090 | -              | -              | 9-50427-1       | 221607-5        | 9-227074-0        | 5227079-5   |
|   | CABLE SIZE                                      | DIE SET 6 | DIE SET 5 | CRIMP TOOL | VIEW | A     | 5 TUBING QTY=1 | 4 SPACER QTY=1 | 3 FERRULE QTY=1 | 2 CONTACT QTY=1 | 1 PLUG ASSY QTY=1 | PART NUMBER |

THIS DRAWING IS A CONTROLLED DOCUMENT.

|                    |  |                           |                               |
|--------------------|--|---------------------------|-------------------------------|
| DIMENSIONS: INCHES | TOLERANCES UNLESS OTHERWISE SPECIFIED: | DIN J. HAVENER 29MAR2005  | TE Connectivity               |
| 0 PLC ± -          | 1 PLC ± -                              | CIR J. HAVENER 29MAR2005  | PLUG, COMMERCIAL, BNC         |
| 2 PLC ± -          | 3 PLC ± .016                           | APVD J. LIPPERT 29MAR2005 | 108-12044                     |
| 4 PLC ± -          | ANGLES ± -                             | NAME                      | APPLICATION SPEC              |
| MATERIAL           | FINISH                                 | SIZE                      | RESTRICTED TO                 |
|                    |  | WEIGHT 0.000000           | A1 00779 5227079              |
|                    |  | CUSTOMER DRAWING          | SCALE 4:1 SHEET 1 OF 1 REV D3 |

# Mouser Electronics

Authorized Distributor

Click to View Pricing, Inventory, Delivery & Lifecycle Information:

[TE Connectivity:](#)

[5227079-6](#)