

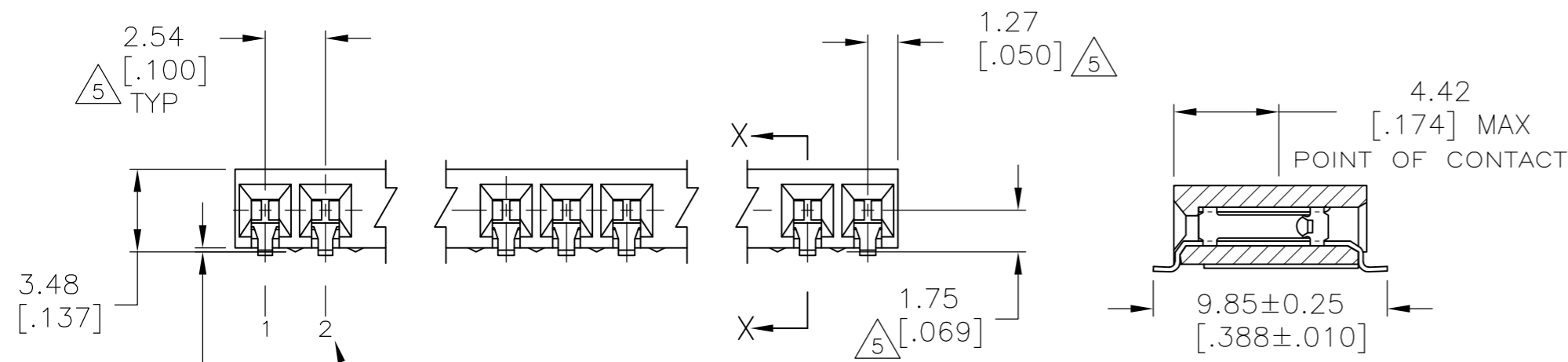
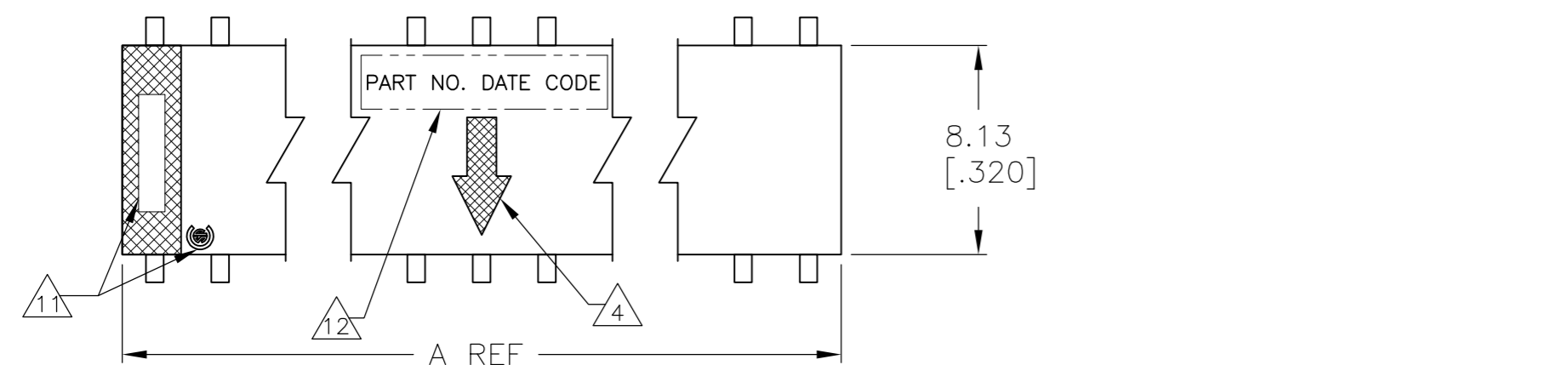
THIS DRAWING IS UNPUBLISHED. RELEASED FOR PUBLICATION  
 © COPYRIGHT - By - ALL RIGHTS RESERVED.

LOC		DIST		REVISIONS			
P	LTR	DESCRIPTION	DATE	DWN	APVD		
	A6	REVISED PER ECO-13-005565	30MAR13	KH	JO		

- 1 HOUSING: GLASS FILLED POLYESTER, PCT, COLOR: BLACK
- 2 CONTACT: PHOSPHOR BRONZE
- 3 CONTACT FINISH: 3.81-7.62 (.000150-.000300) MATTE TIN ALL OVER  
0.00127(.000050) MIN NICKEL ENTIRE CONTACT
- 4 MOLDED IN ARROW DESIGNATES MATING FACE OF CONNECTOR
- 5 DIMENSIONS PERTAINS TO CAVITY CENTERLINES
- 6 DATUMS AND BASIC DIMENSIONS ARE ESTABLISHED BY THE CUSTOMER
- 7 PRE-PRODUCTION-PRELIMINARY PARTS
- 8 NO PART NUMBER MARKING REQUIRED FOR THIS PART
- 9 ROHS 2002/95/EC COMPLIANT

- 11 TE LOGO AND CSA LOGO ARE MOLDED INTO HOUSING, THIS LOCATION.
- 12 MARK PART NUMBER AND DATE CODE IN APPROXIMATE LOCATION SHOWN, EITHER END

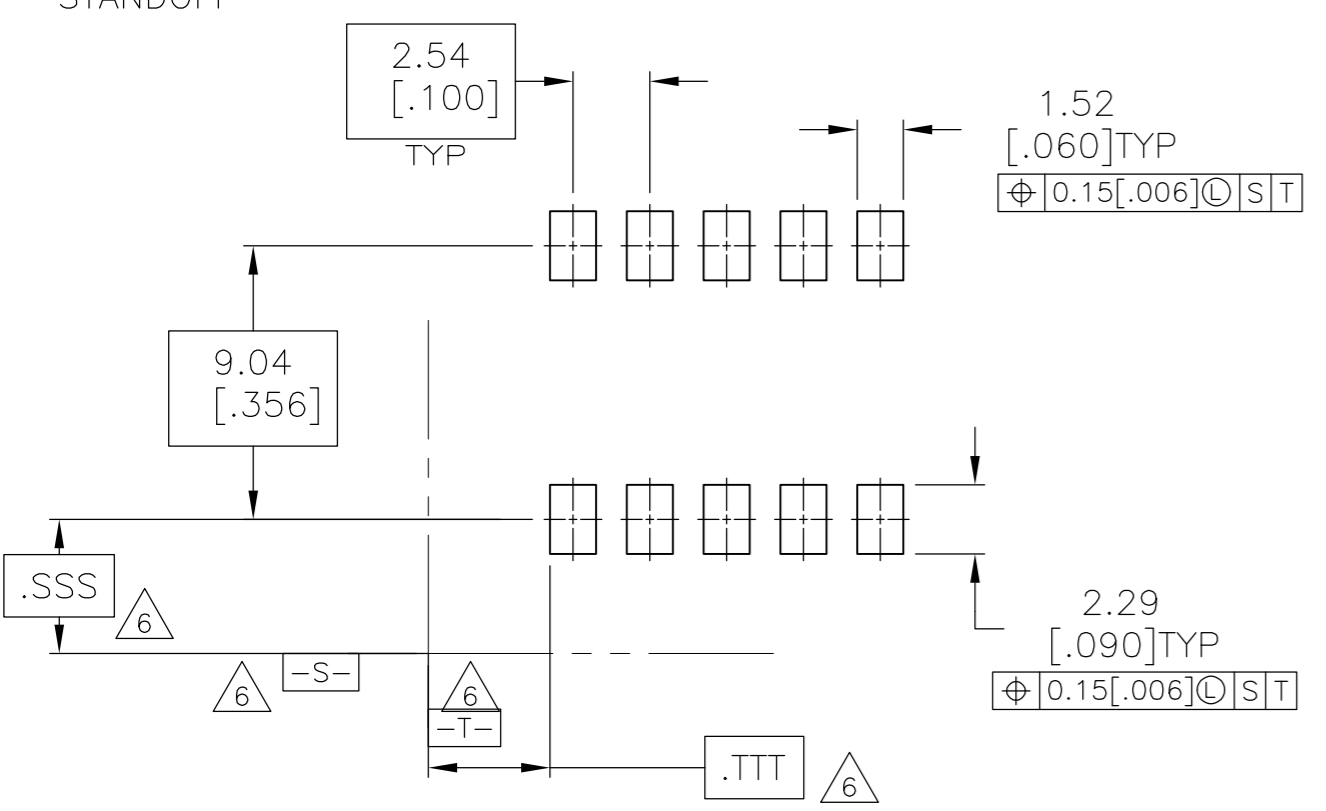
101.60[4.000]	40	3-5147733-9
99.06[3.900]	39	3-5147733-8
96.52[3.800]	38	3-5147733-7
93.98[3.700]	37	3-5147733-6
91.44[3.600]	36	3-5147733-5
88.90[3.500]	35	3-5147733-4
86.36[3.400]	34	3-5147733-3
83.82[3.300]	33	3-5147733-2
81.28[3.200]	32	3-5147733-1
78.74[3.100]	31	3-5147733-0
76.20[3.000]	30	2-5147733-9
73.66[2.900]	29	2-5147733-8
71.12[2.800]	28	2-5147733-7
68.58[2.700]	27	2-5147733-6
66.04[2.600]	26	2-5147733-5
63.50[2.500]	25	2-5147733-4
60.96[2.400]	24	2-5147733-3
58.42[2.300]	23	2-5147733-2
55.88[2.200]	22	2-5147733-1
53.34[2.100]	21	2-5147733-0
50.80[2.000]	20	1-5147733-9
48.26[1.900]	19	1-5147733-8
45.72[1.800]	18	1-5147733-7
43.18[1.700]	17	1-5147733-6
40.64[1.600]	16	1-5147733-5
38.10[1.500]	15	1-5147733-4
35.56[1.400]	14	1-5147733-3
33.02[1.300]	13	1-5147733-2
30.48[1.200]	12	1-5147733-1
27.94[1.100]	11	1-5147733-0
25.40[1.000]	10	5147733-9
22.86[.900]	9	5147733-8
20.32[.800]	8	5147733-7
17.78[.700]	7	5147733-6
15.24[.600]	6	5147733-5
10.16[.500]	5	5147733-4
10.16[.400]	4	5147733-3
7.62[.300]	3	5147733-2
5.08[.200]	2	5147733-1



SECTION X-X

165.10[6.500]	65	6-5147733-4
162.56[6.400]	64	6-5147733-3
160.02[6.300]	63	6-5147733-2
157.48[6.200]	62	6-5147733-1
152.94[6.100]	61	6-5147733-0
152.40[6.000]	60	5-5147733-9
149.86[5.900]	59	5-5147733-8
147.32[5.800]	58	5-5147733-7
144.78[5.700]	57	5-5147733-6
147.32[5.600]	56	5-5147733-5
139.70[5.500]	55	5-5147733-4
137.16[5.400]	54	5-5147733-3
134.62[5.300]	53	5-5147733-2
132.08[5.200]	52	5-5147733-1
129.54[5.100]	51	5-5147733-0
127.00[5.000]	50	4-5147733-9
124.46[4.900]	49	4-5147733-8
121.92[4.800]	48	4-5147733-7
119.38[4.700]	47	4-5147733-6
116.84[4.600]	46	4-5147733-5
114.30[4.500]	45	4-5147733-4
111.76[4.400]	44	4-5147733-3
109.22[4.300]	43	4-5147733-2
106.68[4.200]	42	4-5147733-1
104.14[4.100]	41	4-5147733-0

A	NO OF POSN	PART NUMBER	A	NO OF POSN	PART NUMBER
---	------------	-------------	---	------------	-------------



RECOMMENDED PC BOARD LAYOUT

THIS DRAWING IS A CONTROLLED DOCUMENT. 10NOV04

DWN	BSV	CHK	-	APVD	-	PRODUCT SPEC	-	APPLICATION SPEC	-	WEIGHT	-	SCALE	5:1	SHEET	1 OF 1	REV	A6
-----	-----	-----	---	------	---	--------------	---	------------------	---	--------	---	-------	-----	-------	--------	-----	----

**TE** TE Connectivity

NAME: AMPMODU MODII RECPT. ASSY., HORZ., SURFACE MOUNT, .100CL, 1 ROW CLOSED ENTRY, END STACK

SIZE: A2 CAGE CODE: 00779 DRAWING NO: 5147733 RESTRICTED TO: -

MATERIAL: 1 2 FINISH: 3

CUSTOMER DRAWING

# Mouser Electronics

Authorized Distributor

Click to View Pricing, Inventory, Delivery & Lifecycle Information:

[TE Connectivity:](#)

[5147733-4](#)