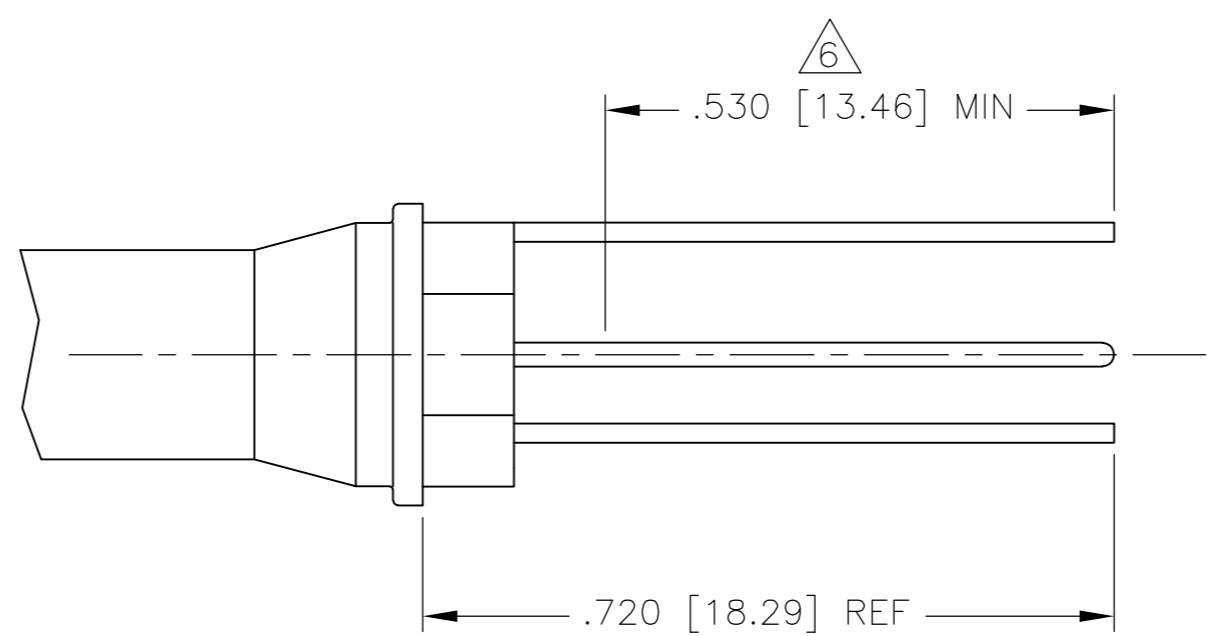
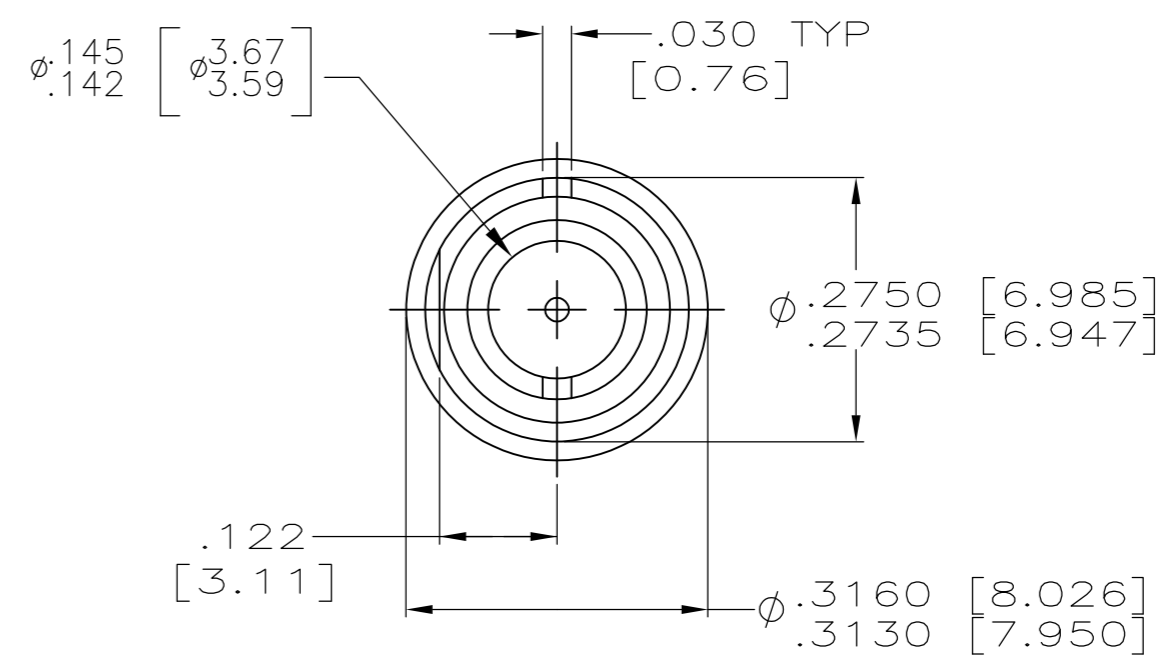
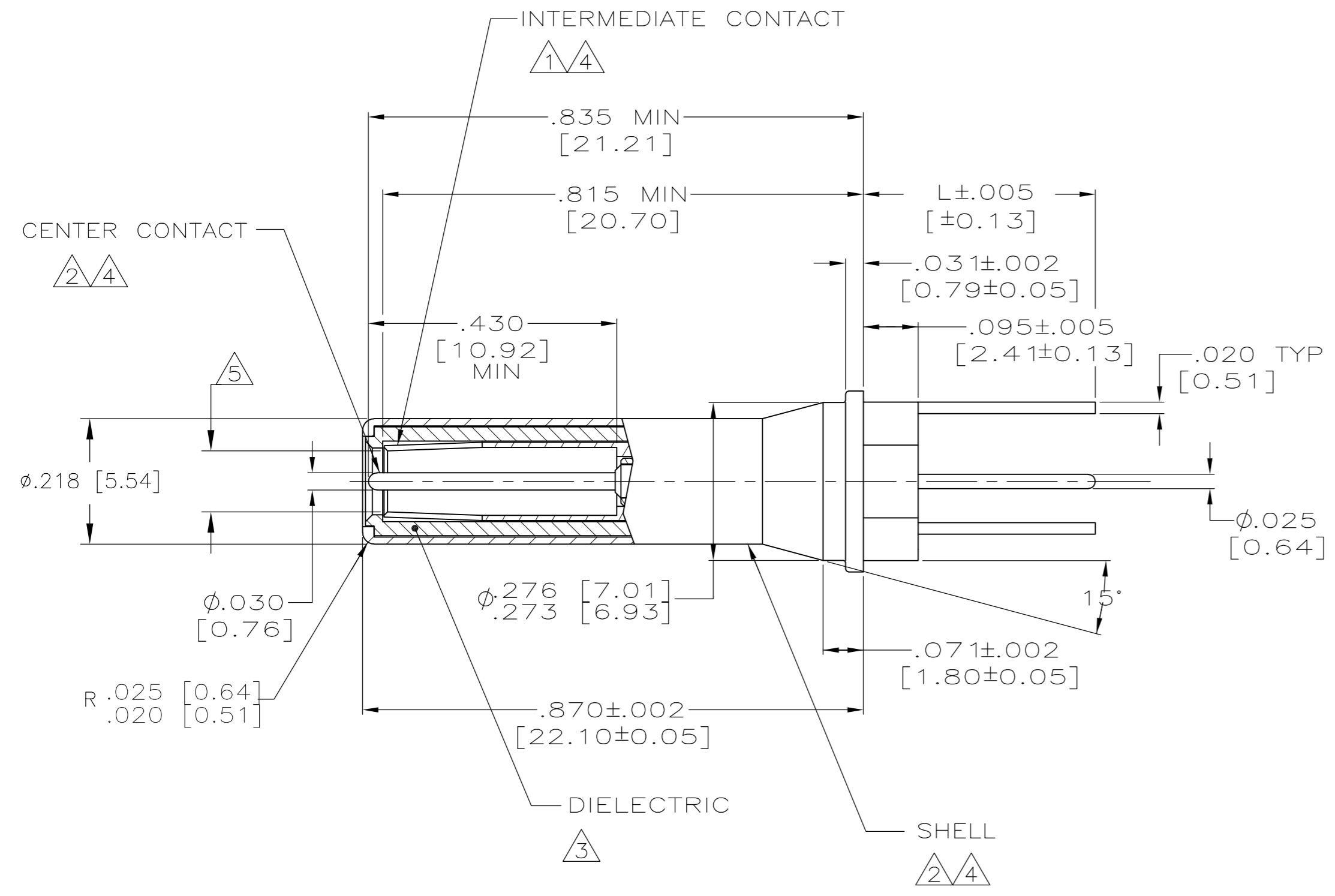


THIS DRAWING IS UNPUBLISHED. RELEASED FOR PUBLICATION
 © COPYRIGHT - By - ALL RIGHTS RESERVED.

LOC		DIST		REVISIONS			
P	LTR	DESCRIPTION	DATE	DWN	APVD		
-	-	REV PER ECO 15-011359	8-5-15	CT	RG		



VIEW FOR 448541-4 ONLY

- 1 BERYLLIUM COPPER PER ASTM-B-196
- 2 BRASS PER ASTM-B-16.
- 3 PTFE PER ASTM-D-1710.
- 4 GOLD PLATE PER MIL-G-45204, TYPE 1, GRADE C, CLASS 1 OVER NICKEL PLATE PER QQ-N-290, CLASS 2, .000050 [0.00127] THK.
- 5 SOCKET MATES WITH .113±.001 [2.87±0.03] PIN
MAX ENGAGEMENT FORCE: 20 OUNCES
MIN SEPARATION FORCE: 3 OUNCES
- 6 SOLDER DIPPED PER TE SPEC. 112-23-4.

OBSOLETE	.720 [18.29]	448541-4
	--	448541-3
	.525 [13.33]	448541-2
	.402 [10.21]	448541-1
	DIM L	PART NUMBER

THIS DRAWING IS A CONTROLLED DOCUMENT.		DWN C.C.THOMAS 10-13-92	STE TE Connectivity	
DIMENSIONS: INCHES [mm]		CHK C.SHELLY 10-15-92		
TOLERANCES UNLESS OTHERWISE SPECIFIED:		APVD C.SHELLY 10-15-92	NAME PIN, TRIAX PCB, SIZE 8, ARINC-TRIAx	
0 PLC ± -	1 PLC ± -	PRODUCT SPEC	SIZE A2	CAGE CODE 00779
2 PLC ± -	3 PLC ± .001 [0.03]	APPLICATION SPEC	DRAWING NO C=448541	RESTRICTED TO -
4 PLC ± -	ANGLES ± 2°	WEIGHT -	SCALE 5:1	SHEET 1 of 1
MATERIAL 1 2 3	FINISH 4	CUSTOMER DRAWING	REV B	

Mouser Electronics

Authorized Distributor

Click to View Pricing, Inventory, Delivery & Lifecycle Information:

[TE Connectivity:](#)

[448541-1](#)