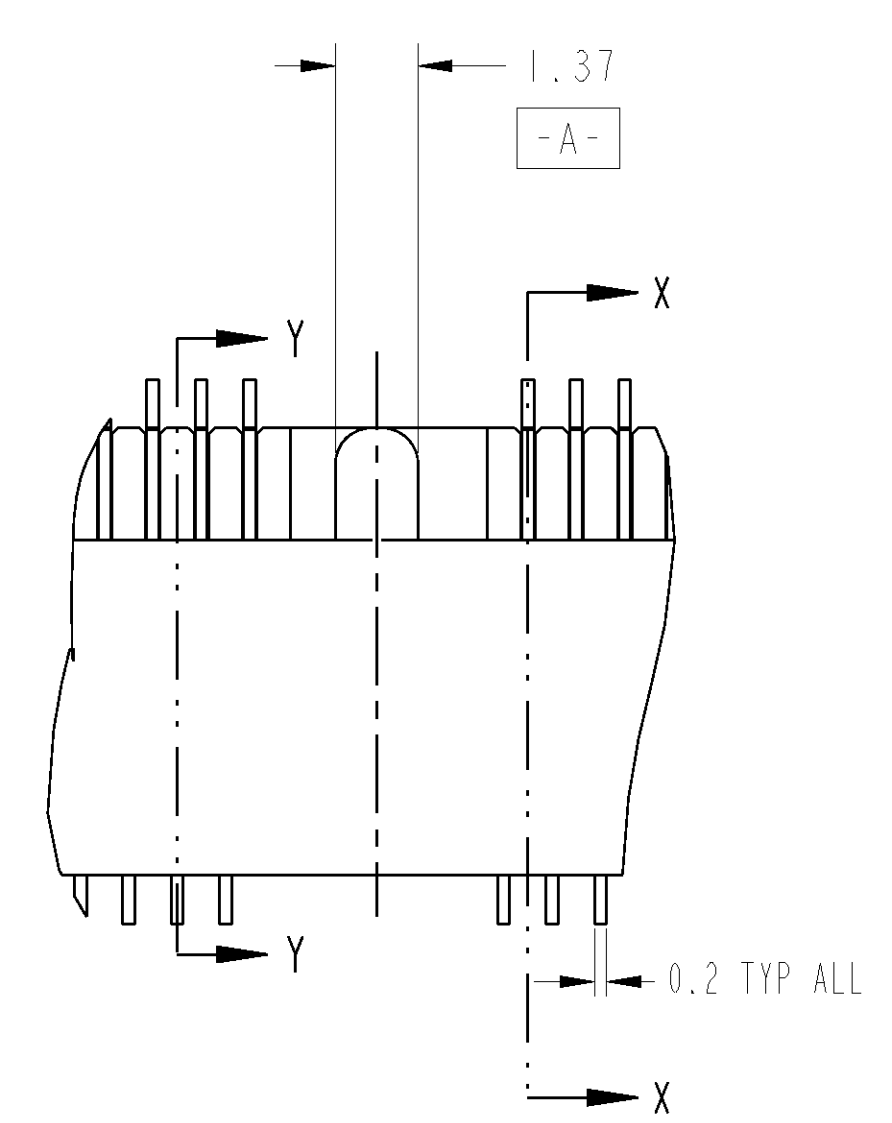
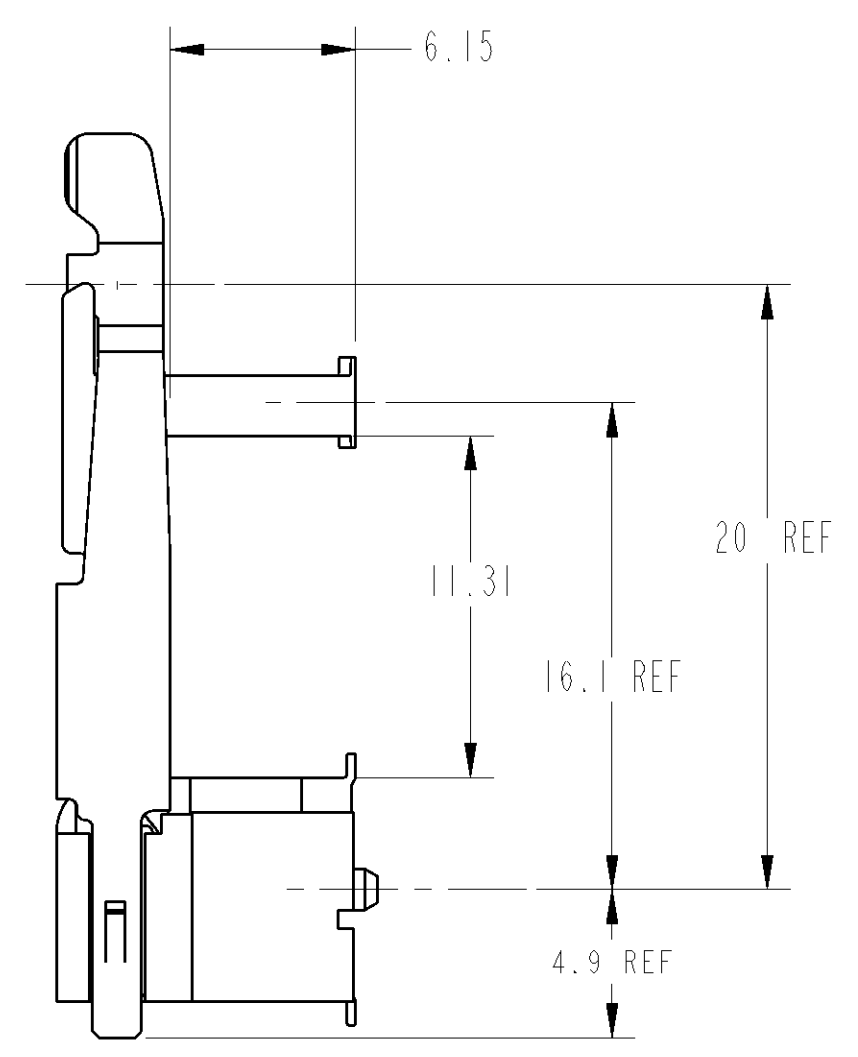
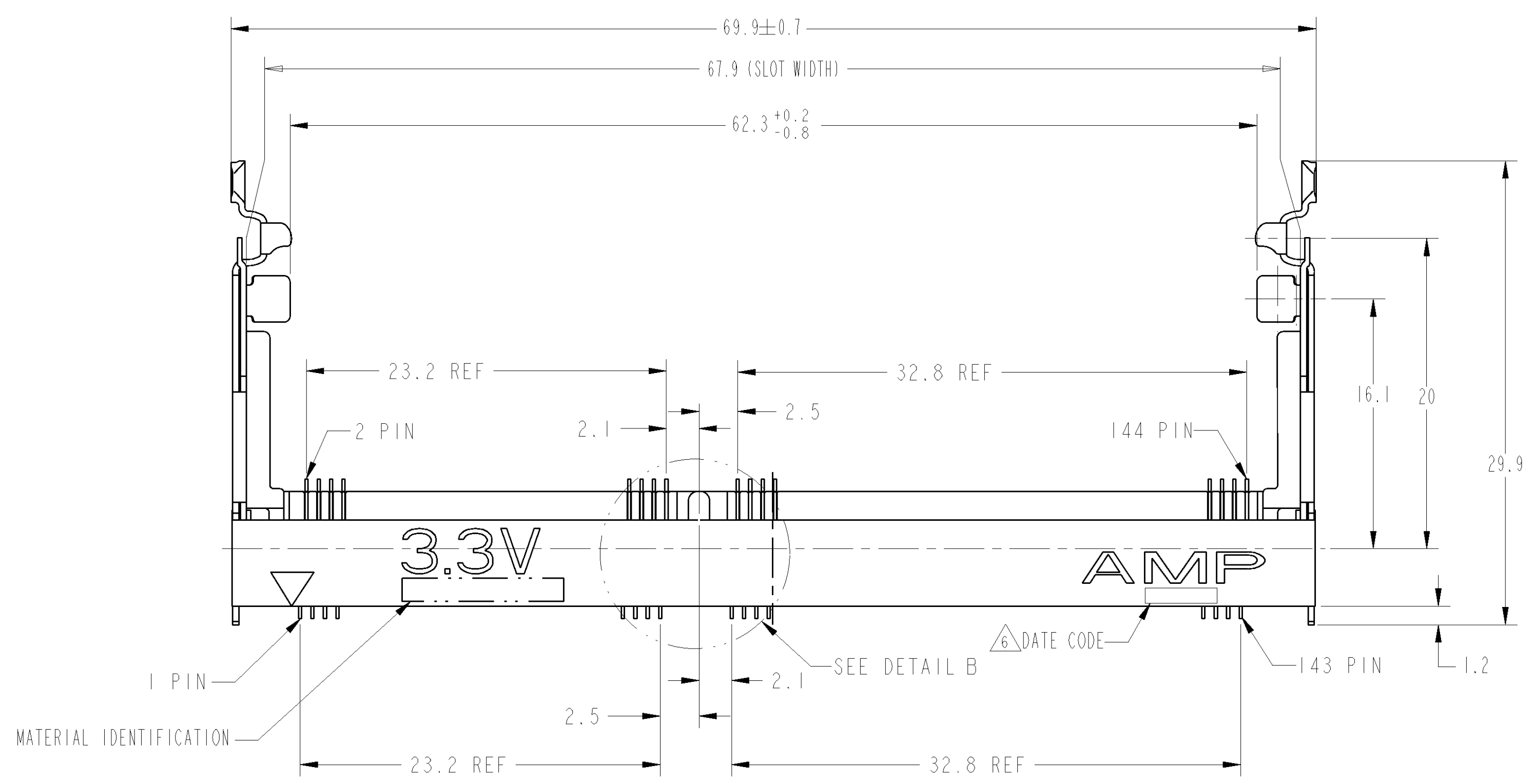
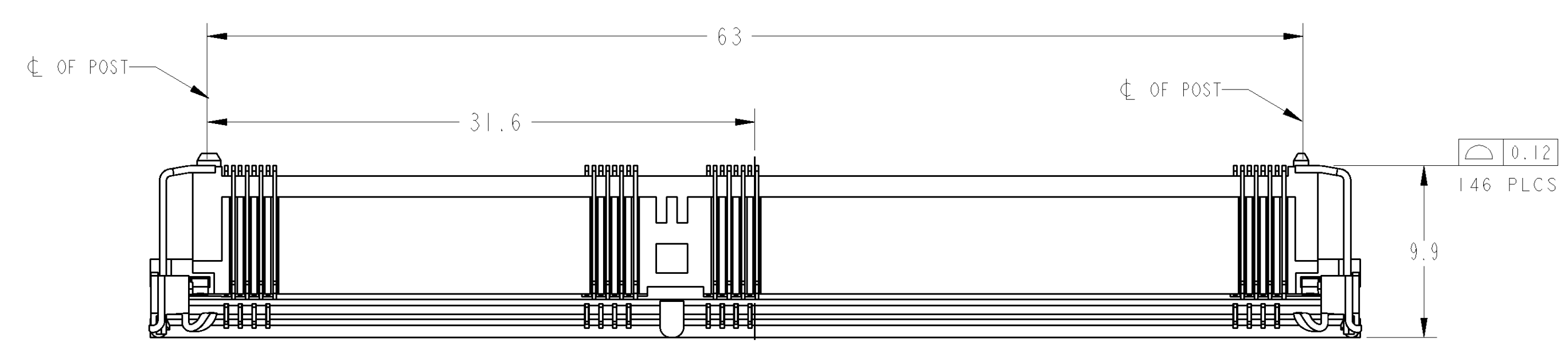
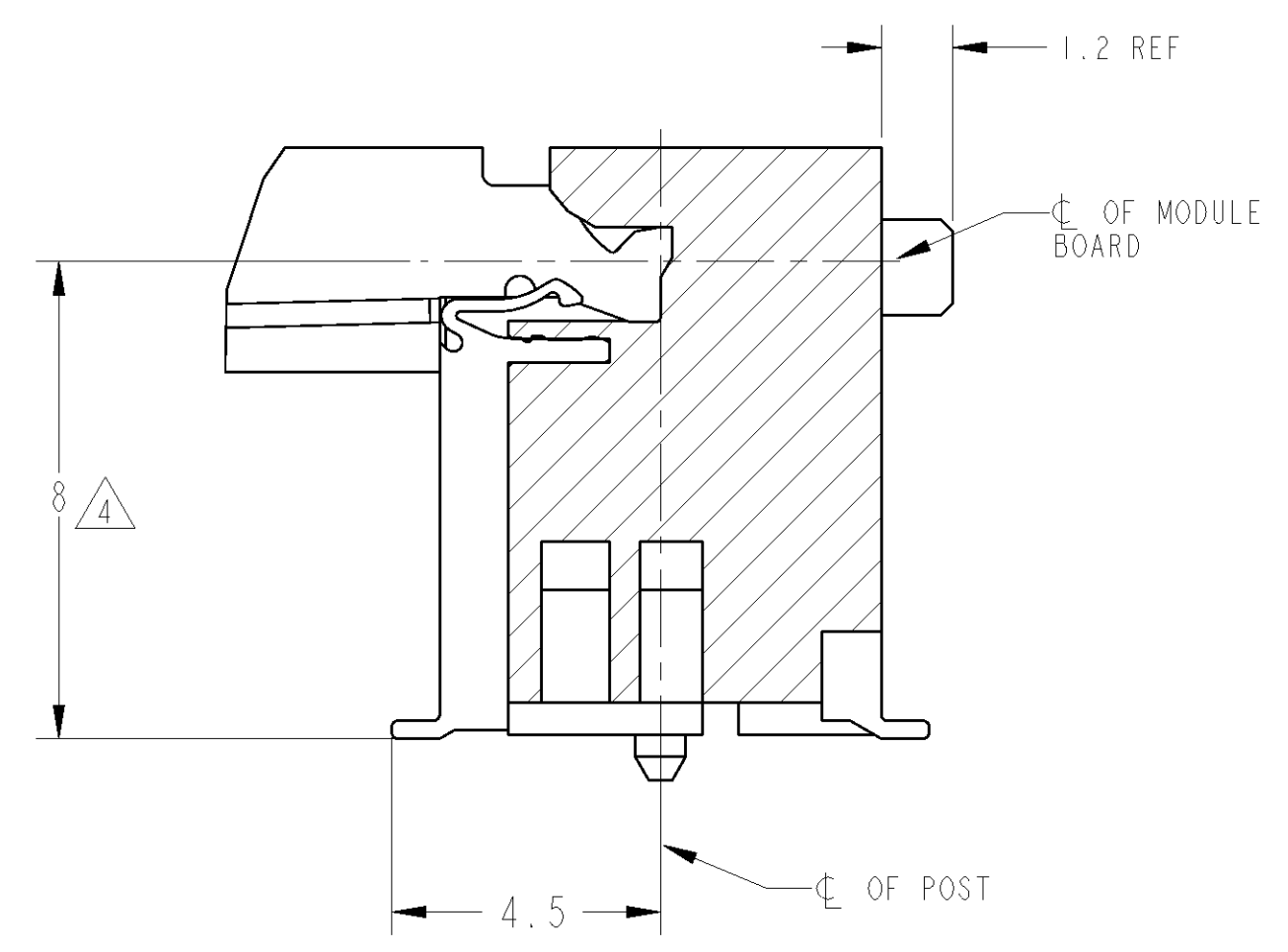


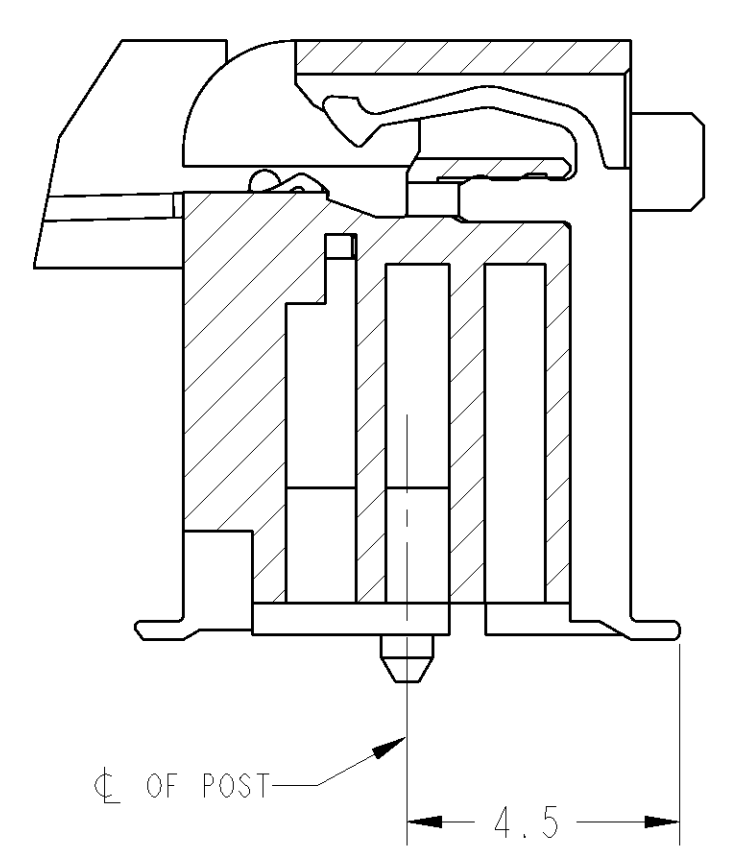
LOC	DIST	REVISONS			
F	LTR	DESCRIPTION	DATE	DWN	APFD
L1		REVISED PER ECO-11-005139	19MAR11	RK	HMR



DETAIL B
SCALE 8:1



SECTION X-X
SCALE 8:1
90° ROTATE



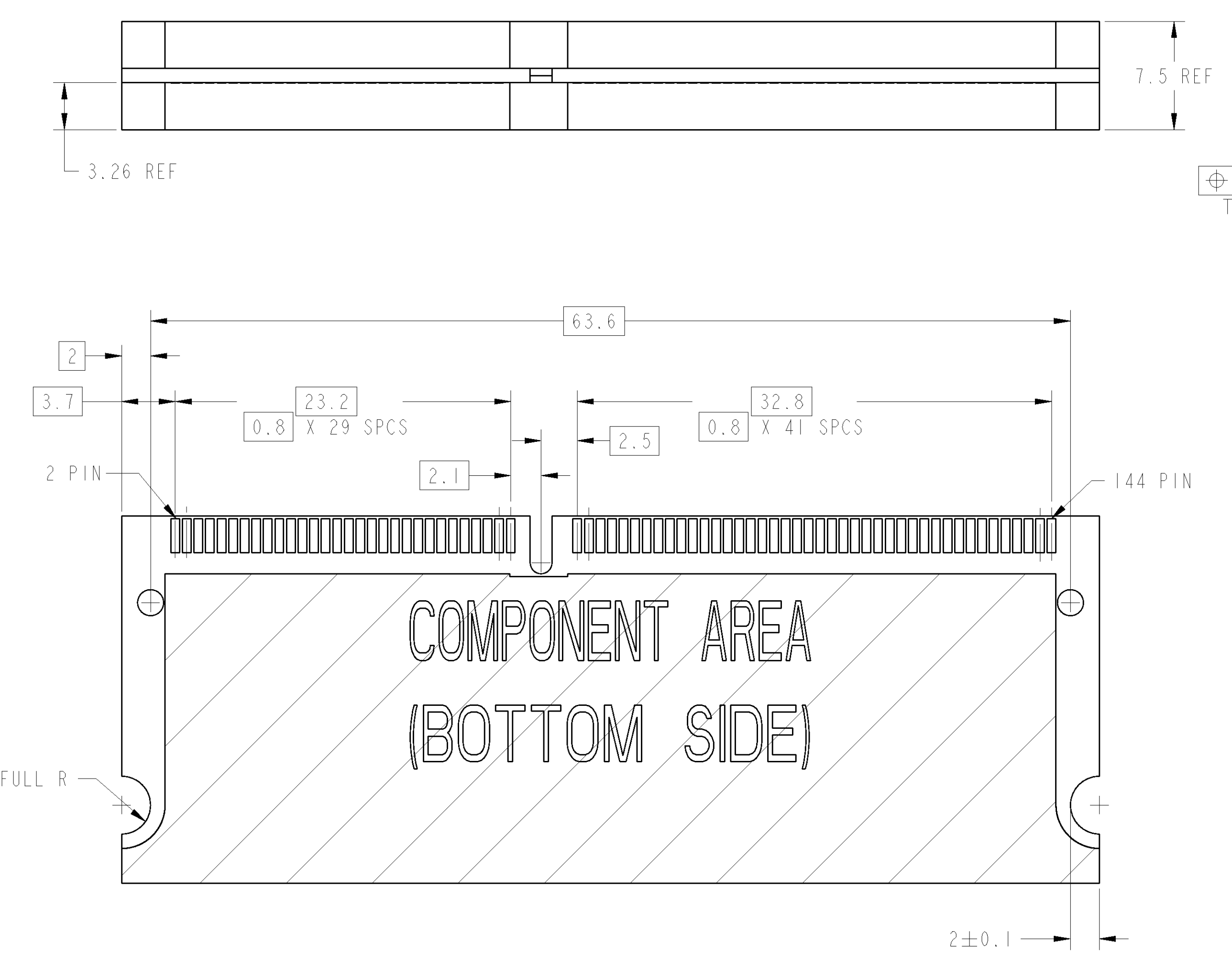
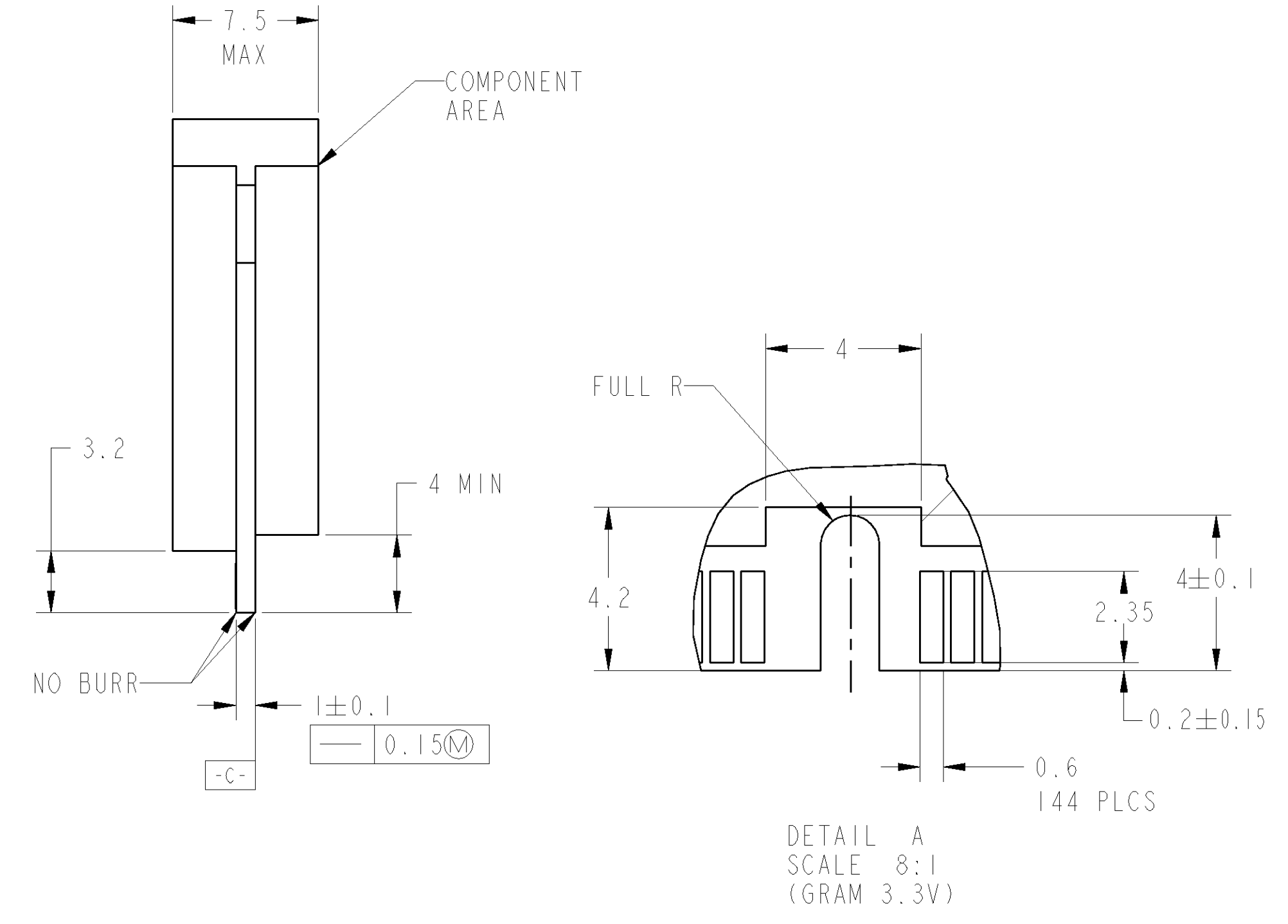
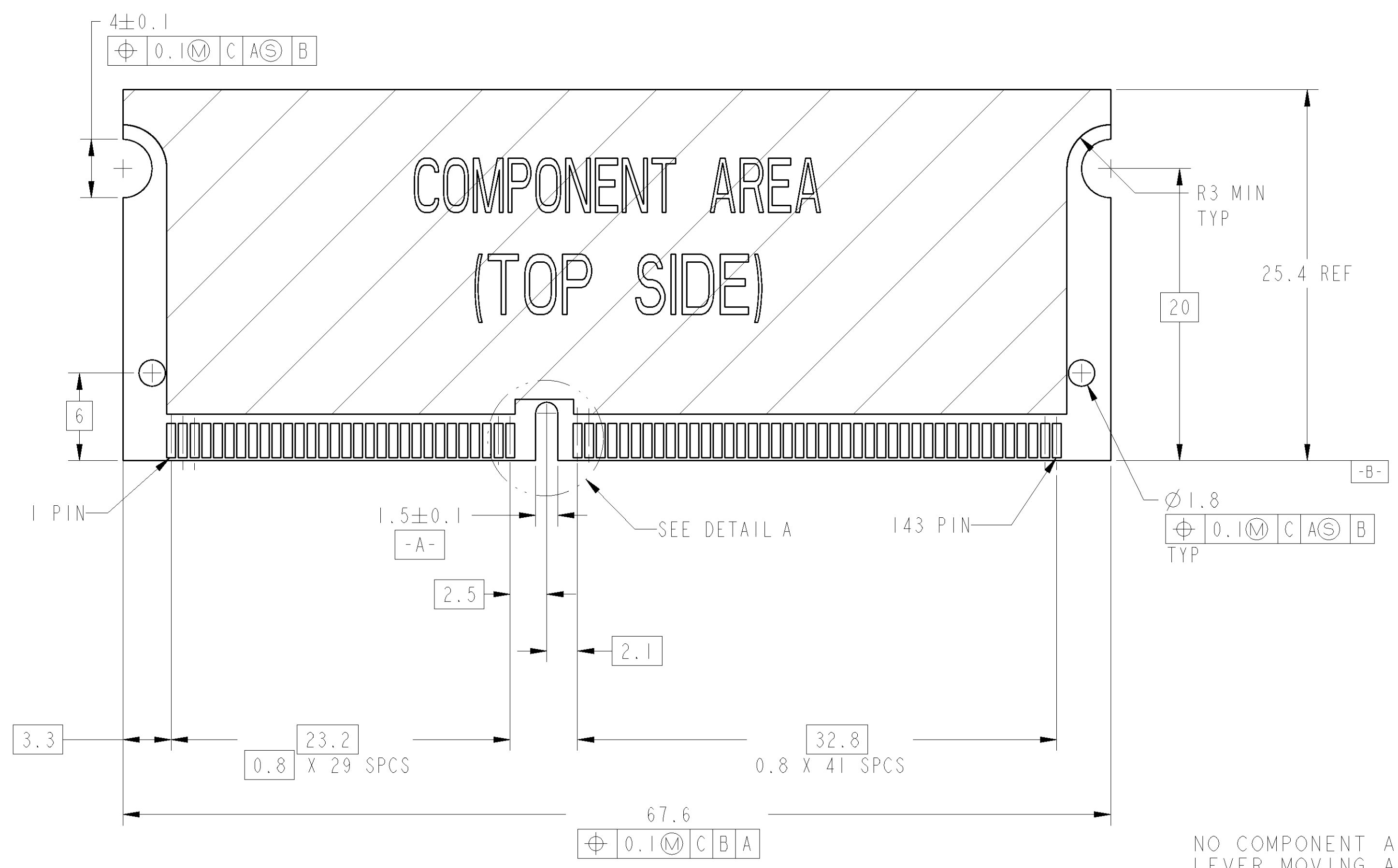
SECTION Y-Y
SCALE 8:1
90° ROTATE

- 1 MATERIAL, HOUSING, HIGH TEMP. PLASTIC, UL94V-0
CONTACT: COPPER ALLOY
LOCK LEVER: SUS301 TIN PLATING.
- 2 FINISH; CONTACT AREA: 0.00025 MIN GOLD PLT ON
0.001 MIN ALL OVER NICKEL
SOLDERING AREA: 0.00005 MIN TO 0.00030 MAX GOLD PLATE
- 3. TOLERANCES NON-ACCUMULATIVE.
- 4 DIMENSIONING TO MODULE CENTER LINE.
- 5 PART PACKAGING PER EIA-IS-704 STANDARD REEL
DIAMETER SHALL BE 330mm. TAPE WIDTH SHALL
BE 88mm AND TAPE PITCH SHALL BE 36mm
- 6 DATE CODE (4-DIGITS), LOCATED AS SHOWN.
TO BE INTERPRETED AS FOLLOWS:
DIGIT # 1 - LAST DIGIT OF YEAR.
DIGITS # 2 AND # 3 - CALENDAR WEEK.
DIGIT # 4 - DAY OF THE WEEK (WITH SUNDAYS AS DAY 1).

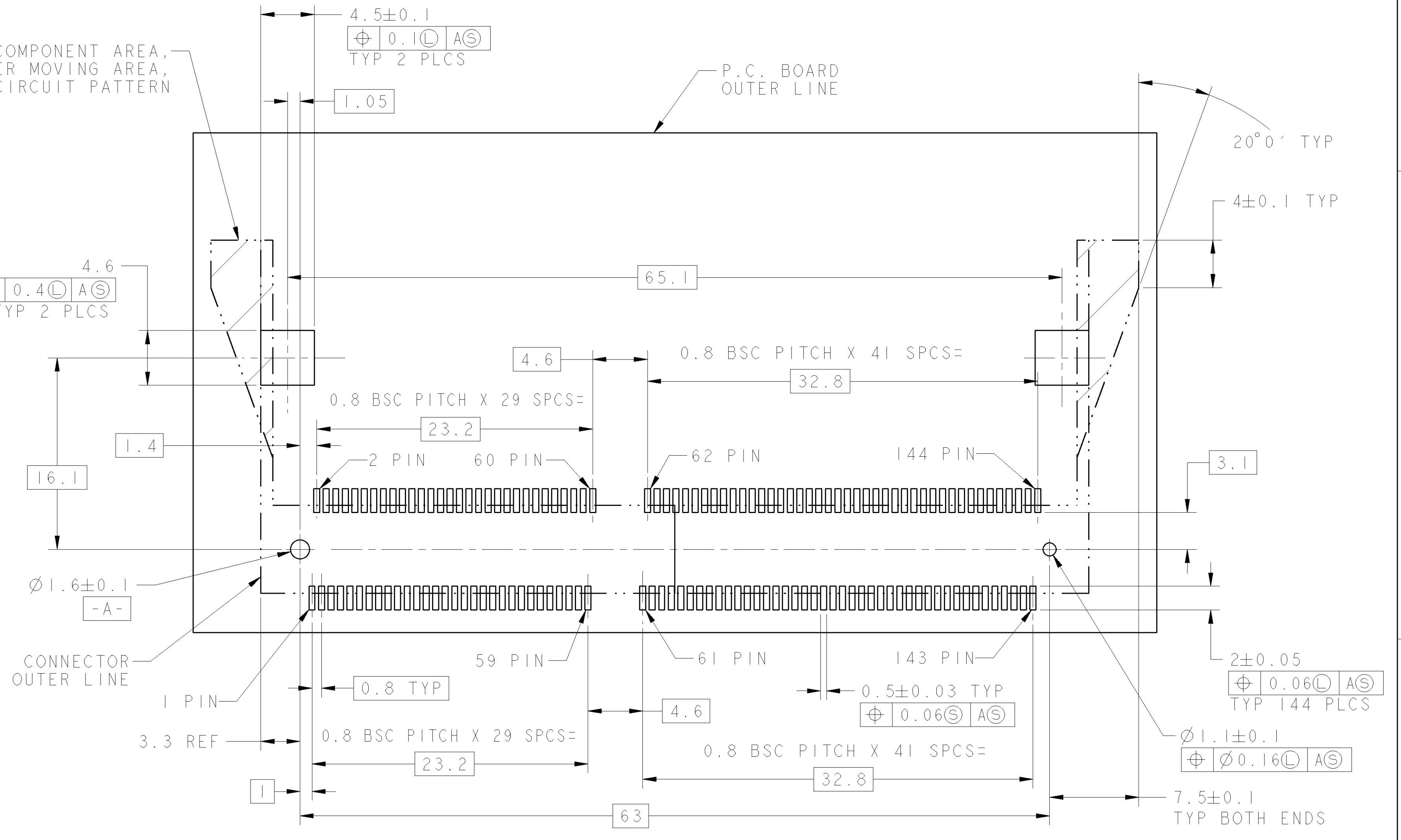
AVAILABLE	SDRAM 3.3V	144	6-390322-1
AVAILABLE	SDRAM 3.3V	144	390322-1
REMARKS	POWER SUPPLY	POS	PART NUMBER

DIMENSIONS:		TOLERANCES UNLESS OTHERWISE SPECIFIED:		DWN J. BURWELL 8NOV99		COW K. KREIDLER 22JUL99		APFD SE LEONG		NAME S.O.DIMM SOCKET ASSY., 0.8mm PITCH	
mm	0 PLC ±	1 PLC ±0.2	2 PLC ±0.2	3 PLC ±0.2	4 PLC ±	ANGLES ±	FINISH	PRODUCT SPEC 108-1739-1	APPLICATION SPEC 114-1114	SIZE A1	CAGE CODE 00779
MATERIAL								DRAWING NO C=390322	WEIGHT	CUSTOMER DRAWING	SCALE 4:1
										DRAWING NO C=390322	
										SHEET 1 OF 2	
										REV L1	

LOC	DIST	REVISIONS			
F	LTR	DESCRIPTION	DATE	OWN	APPD
-	-	SEE SHEET 1	-	-	-



NO COMPONENT AREA, LEVER MOVING AREA, ACCEPT CIRCUIT PATTERN



DIMENSIONS:		TOLERANCES UNLESS OTHERWISE SPECIFIED:		DRAWN		REVISED		DATE		BY		APPD	
mm	0 PLCS	±		J. BURWELL	01FEB01								
	1 PLCS	±0.2		K. KREIDLER	23JUL99								
	2 PLCS	±0.2		S. LEONG									
	3 PLCS	±0.2											
	4 PLCS	±											
	ANGLES	±											
MATERIAL	FINISH												
				CAGE CODE		DRAWING NO		SCALE		SHEET		REV	
				114-1114		A1 00779		4:1		2 OF 2		L1	
				WEIGHT		CUSTOMER DRAWING							

Mouser Electronics

Authorized Distributor

Click to View Pricing, Inventory, Delivery & Lifecycle Information:

[TE Connectivity:](#)

[6-390322-1](#)