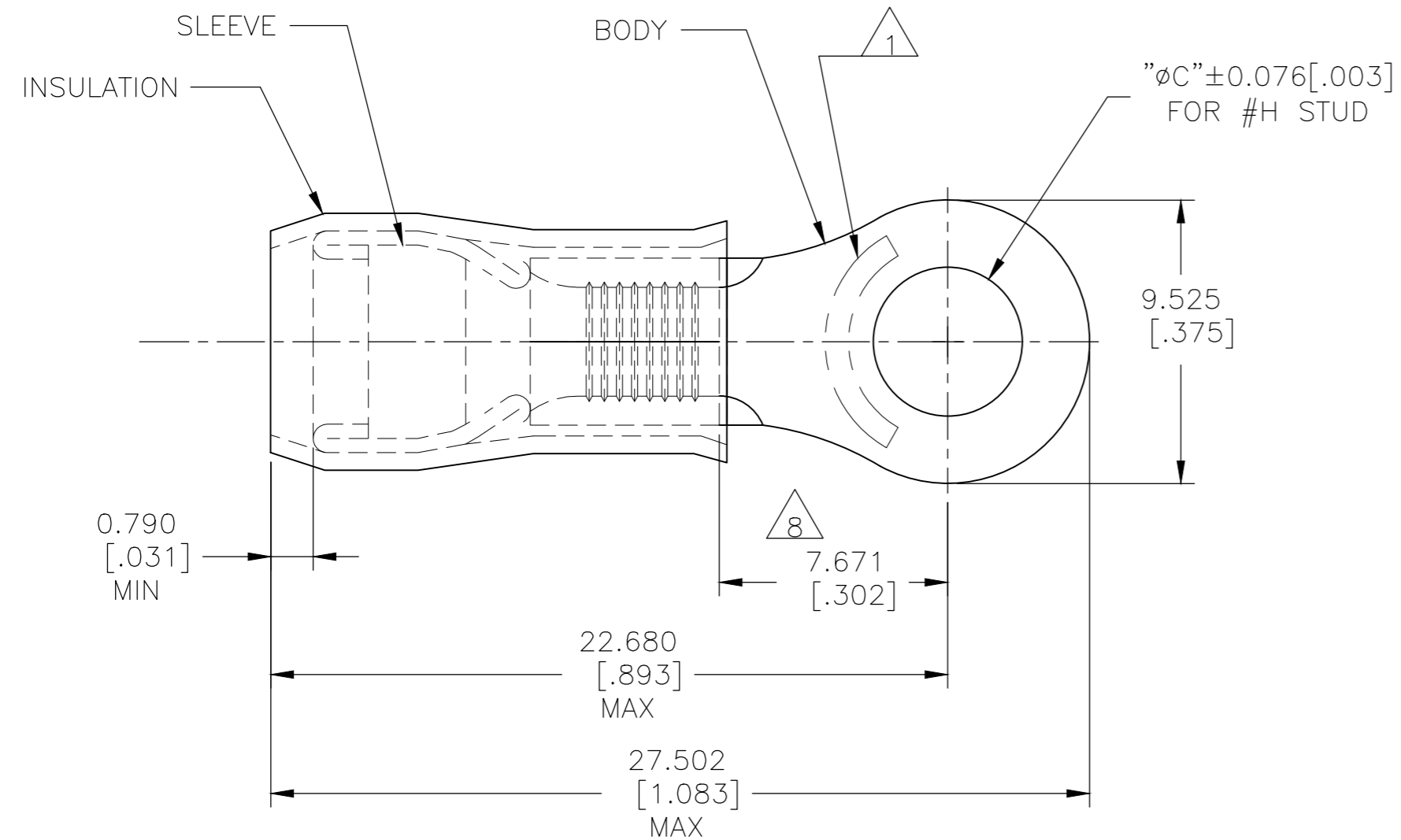
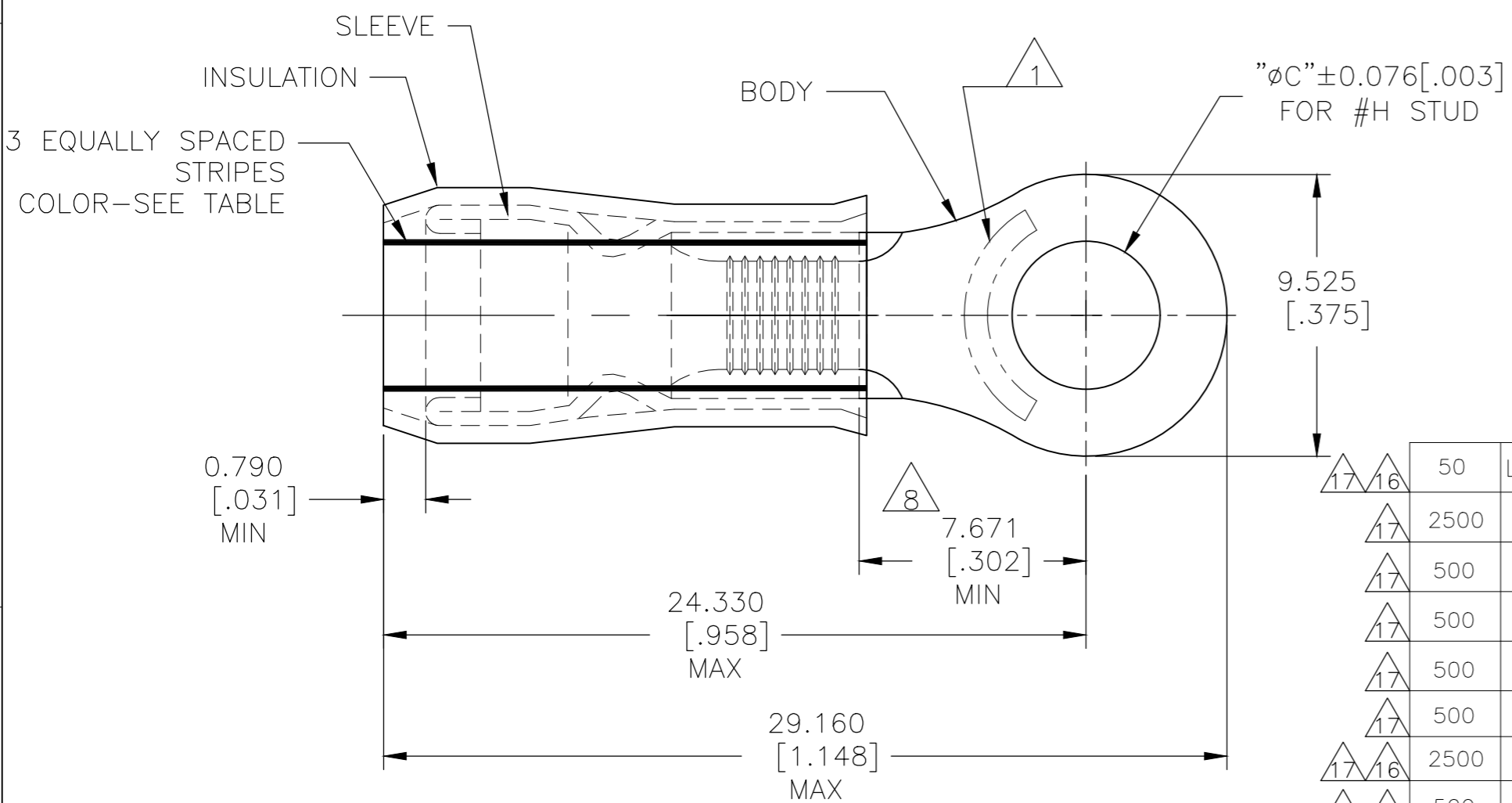


THIS DRAWING IS UNPUBLISHED. RELEASED FOR PUBLICATION
 © COPYRIGHT - By - ALL RIGHTS RESERVED.

REVISIONS				
P	LTR	DESCRIPTION	DATE	APVD
AA3		REVISED PER ECO-19-007720	21MAY2020	KR DR



STYLE A



STYLE B INSULATION RESTRICTING

AMP WIRE RANGE	$\triangle 16$ $\circ L$ E13288 Listed
12-10 AWG SOLID OR STRANDED IR: STRANDED	12-10 AWG STRANDED
$\triangle 17$ $\circ L$ LR7189 Certified	
12-10 AWG SOLID OR STRANDED IR: STRANDED	

- $\triangle 1$ STAMP "AMP - SEE TABLE" APPROX AS SHOWN.
- $\triangle 2$ WIRE INSULATION DIA: SEE TABLE.
- $\triangle 3$ BODY MATERIAL THK: 0.991±0.051[.039±.002].
- $\triangle 4$ BODY: TIN PLATE 0.00254[.000100] MIN EXT THK PER ASTM B545.
- $\triangle 5$ SLEEVE: TIN PLATE 0.00254[.000100] MIN EXT THK PER ASTM B545.
- $\triangle 6$ SLEEVE: NICKEL PLATE PER SAE AMS QQ-N-290.
- $\triangle 7$ BODY & SLEEVE- CU PER ASTM B152
INSULATION - NYLON PER ASTM D4066.
- $\triangle 8$ APPLIES FROM EDGE OF METAL WIRE BARREL TO CENTER OF STUD HOLE.
- $\triangle 9$ MEETS MS25036-112, CLASS 1 & 2.
- $\triangle 10$ MEETS MS25036-112, CLASS 2.
- $\triangle 11$ MEETS M7928/1-58, CLASS 1 & 2.
- $\triangle 12$ MEETS M7928/1-65, CLASS 1 & 2.
- $\triangle 13$ MEETS M7928/1-56, CLASS 1 & 2.
- $\triangle 14$ MEETS M7928/1-63, CLASS 1 & 2.
- $\triangle 15$ NOTE DELETED.
- $\triangle 16$ UL LISTED.
- $\triangle 17$ CSA CERTIFIED.

QTY	PACKAGE TYPE	"H"	"C"	$\triangle 17$	$\triangle 16$	STAMPING	WIRE INSUL DIA	WIRE SIZE	STRIPE COLOR	STYLE	BODY FINISH	SLEEVE FINISH	PART NO	
50	LOOSE PIECE, BOX	#10	5.004[.197]	12-10*	3.810[.150]-5.842[.230]	12-10	--	A			$\triangle 4$	$\triangle 5$	8-36161-2	
2500	ON TAPE & REEL	#10	5.004[.197]	12*	3.023[.119]-5.080[.200]	12	BROWN	B				$\triangle 6$	$\triangle 12$	2-36161-8
500	LOOSE PIECE	[#6]M3.5	3.683[.145]	10*	3.023[.119]-5.080[.200]	10	BROWN	B				$\triangle 6$	$\triangle 14$	2-36161-6
500	LOOSE PIECE	[#6]M3.5	3.683[.145]	12*	2.413[.095]-5.080[.200]	12	YELLOW	B				$\triangle 6$	$\triangle 13$	2-36161-5
500	LOOSE PIECE	#10	5.004[.197]	10*	3.023[.119]-5.080[.200]	10	BROWN	B				$\triangle 6$	$\triangle 12$	2-36161-4
500	LOOSE PIECE	#10	5.004[.197]	12*	2.413[.095]-5.080[.200]	12	YELLOW	B				$\triangle 6$	$\triangle 11$	2-36161-3
2500	ON TAPE & REEL	#10	5.004[.197]	12-10*	3.810[.150]-5.842[.230]	12-10	--	A				$\triangle 5$	$\triangle 10$	2-36161-2
500	LOOSE PIECE	#10	5.004[.197]	12-10*	3.810[.150]-5.842[.230]	12-10	--	A				$\triangle 5$	$\triangle 9$	36161

AMP INCORPORATED CUSTOMER SERVICE SYSTEMS			THIS DRAWING IS A CONTROLLED DOCUMENT.		DWN JR RUTH 17DEC09	STE TE Connectivity	
FOR ADDITIONAL PRODUCT INFORMATION OR COPIES OF DRAWINGS AND TECHNICAL DOCUMENTS	PRODUCT INFORMATION CENTER 1-800-522-6752	MAX RECOMMENDED OPERATING TEMPERATURE: 105°C[221°F] MAX	DIMENSIONS: mm [INCHES]	TOLERANCES UNLESS OTHERWISE SPECIFIED:	CHK T MICHIELUTTI 17DEC09	NAME	
FOR APPLICATION	TOOLING ASSISTANCE CENTER 1-800-722-1111	VOLTAGE RATING: 300 VOLT MAX		0 PLC ± - 1 PLC ± - 2 PLC ± - 3 PLC ± 0.127[.005] 4 PLC ± - ANGLES ± -	APVD T MICHIELUTTI 17DEC09	PRODUCT SPEC	
FOR ORDER ENTRY	1-800-526-5142	CIRCULAR MIL AREA: 2.62-6.64mm[5,180-13,100] STRANDED OR SOLID	MATERIAL $\triangle 7$	FINISH SEE TABLE INSULATION: COLOR YELLOW	UL 486 A-B $\triangle 16$	APPLICATION SPEC	
					114-2157	SIZE	CAGE CODE
					WEIGHT	A2	00779
					CUSTOMER DRAWING	DRAWING NO	RESTRICTED TO
					SCALE	5:1	SHEET
					1 OF 1	REV	AA3

Mouser Electronics

Authorized Distributor

Click to View Pricing, Inventory, Delivery & Lifecycle Information:

[TE Connectivity:](#)

[2-36161-5](#)