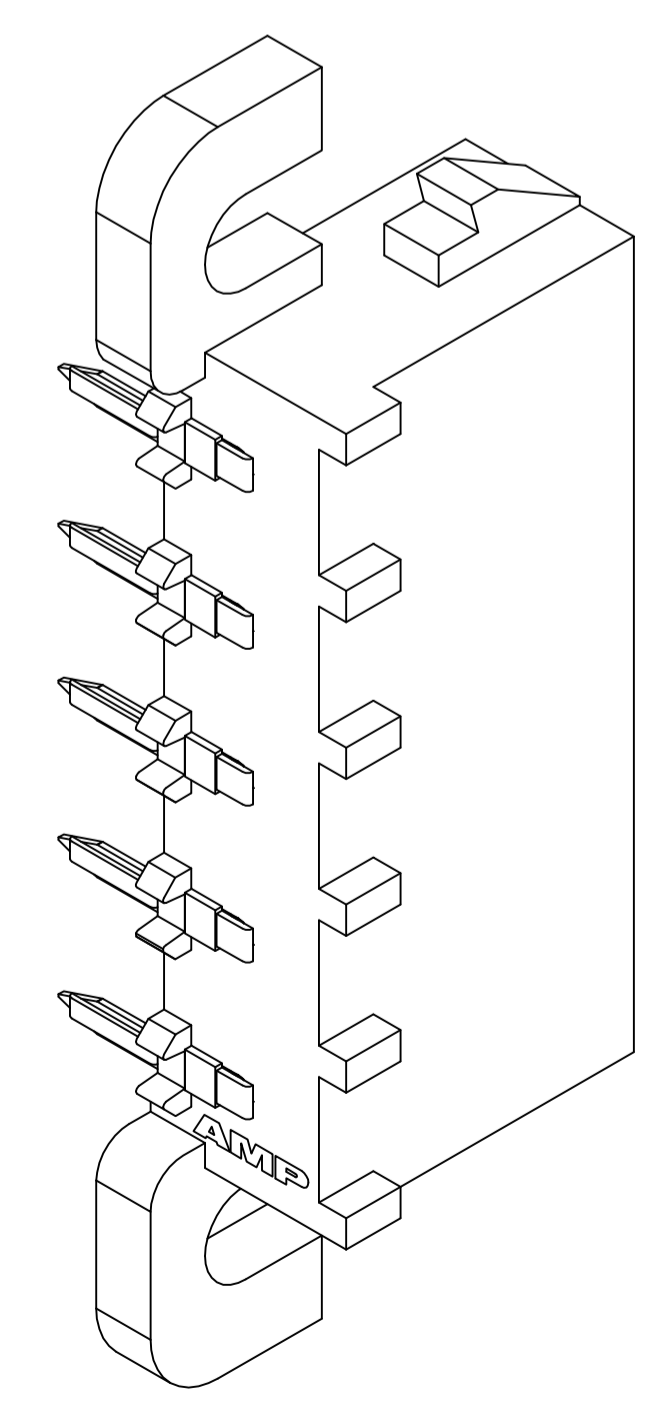
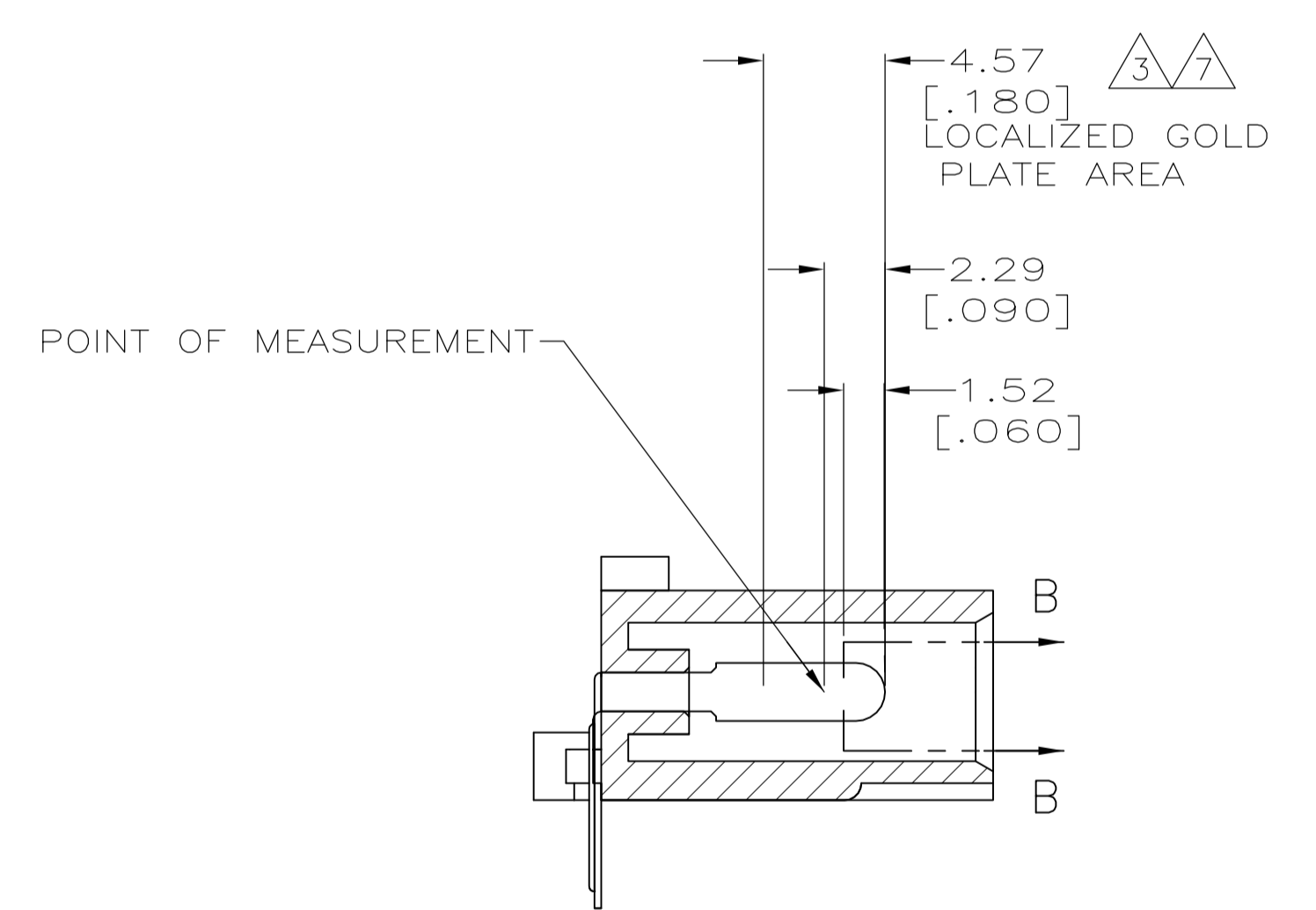
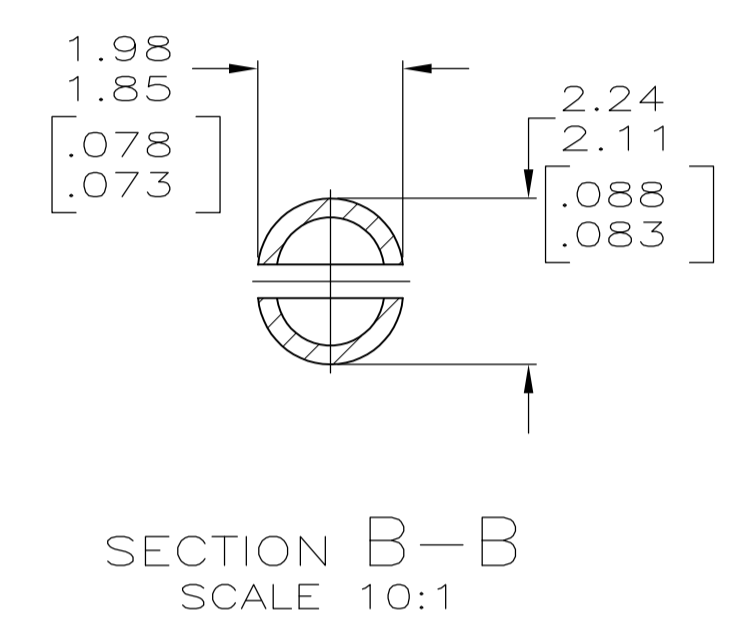
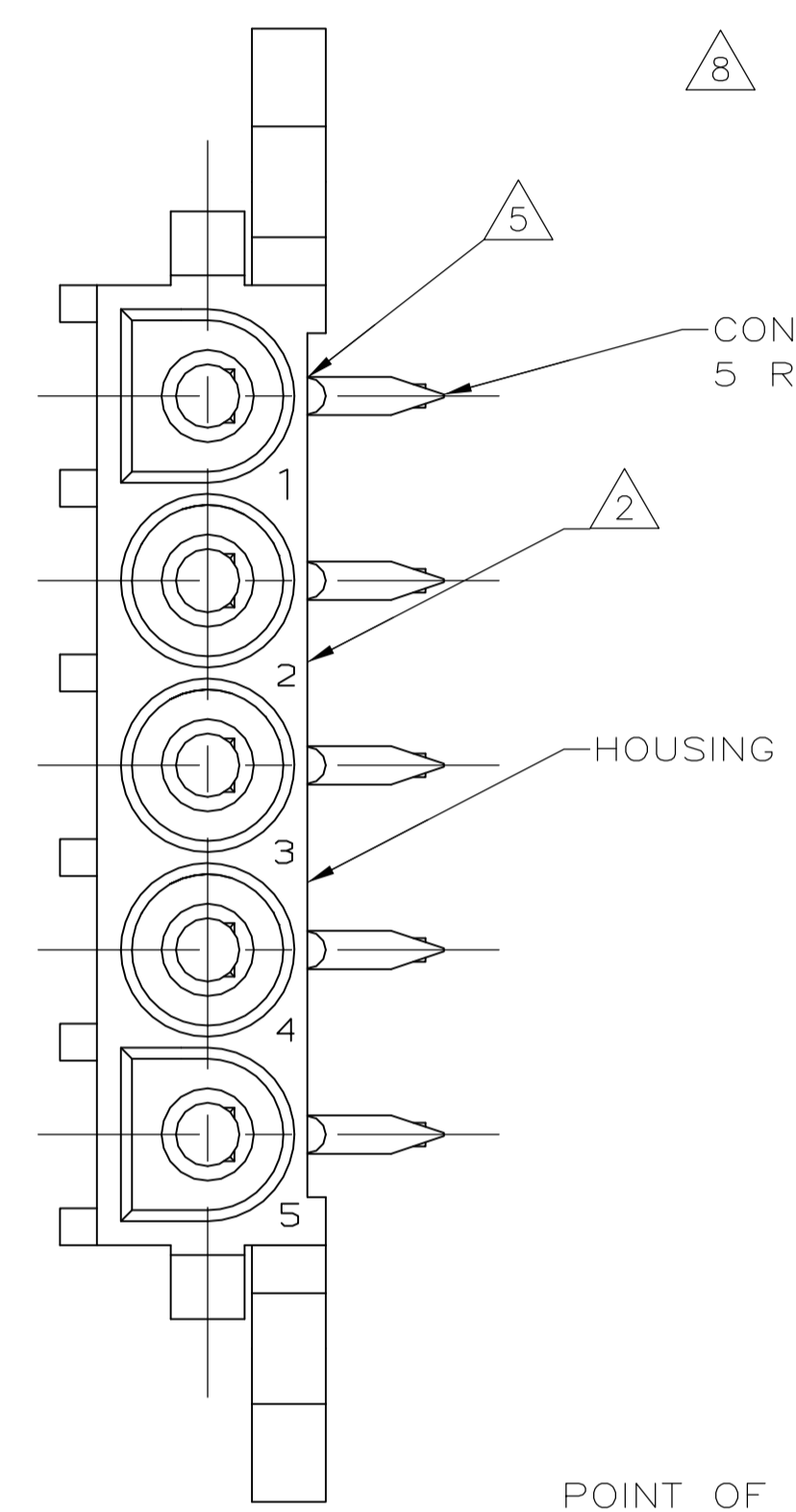
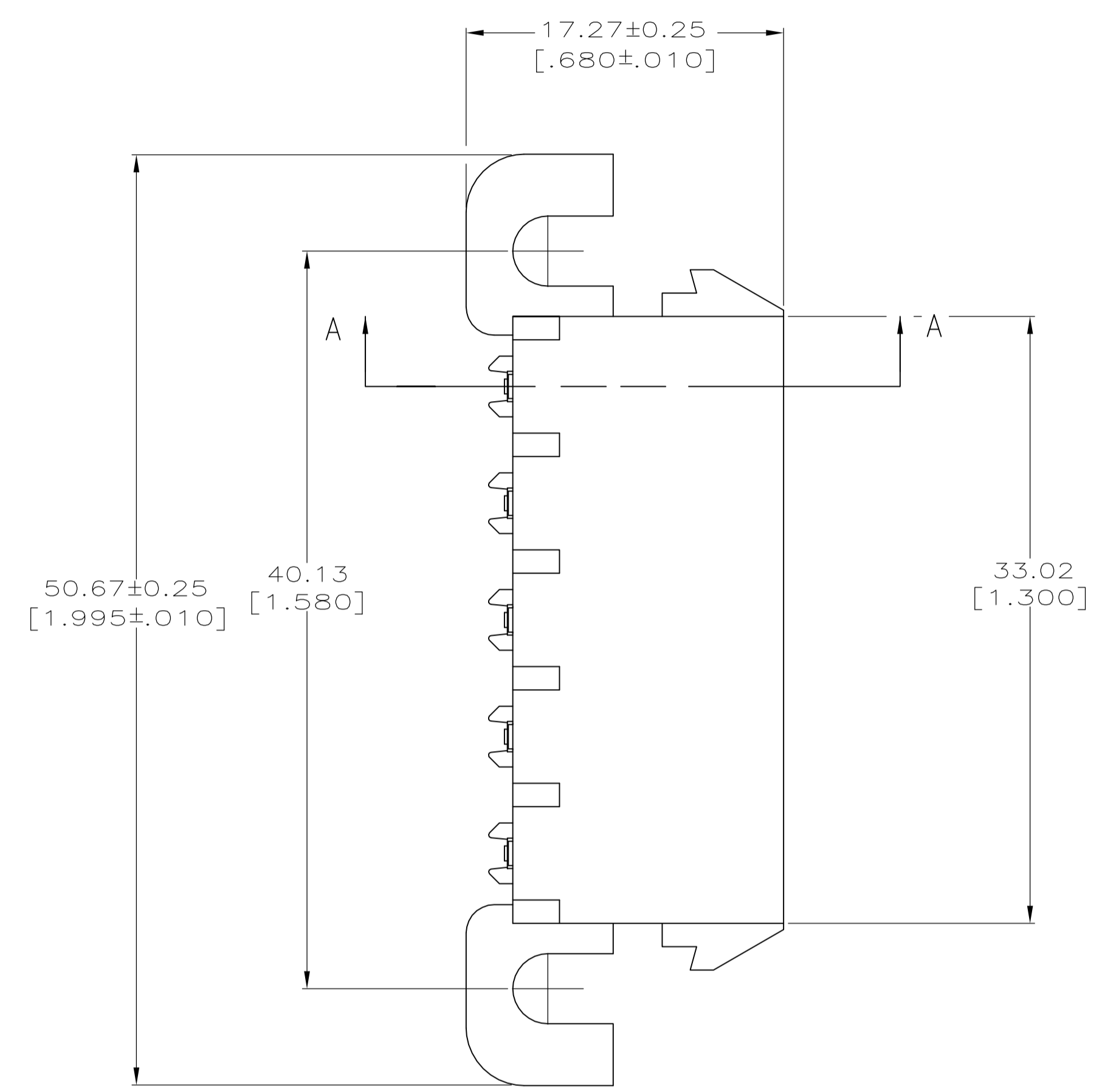
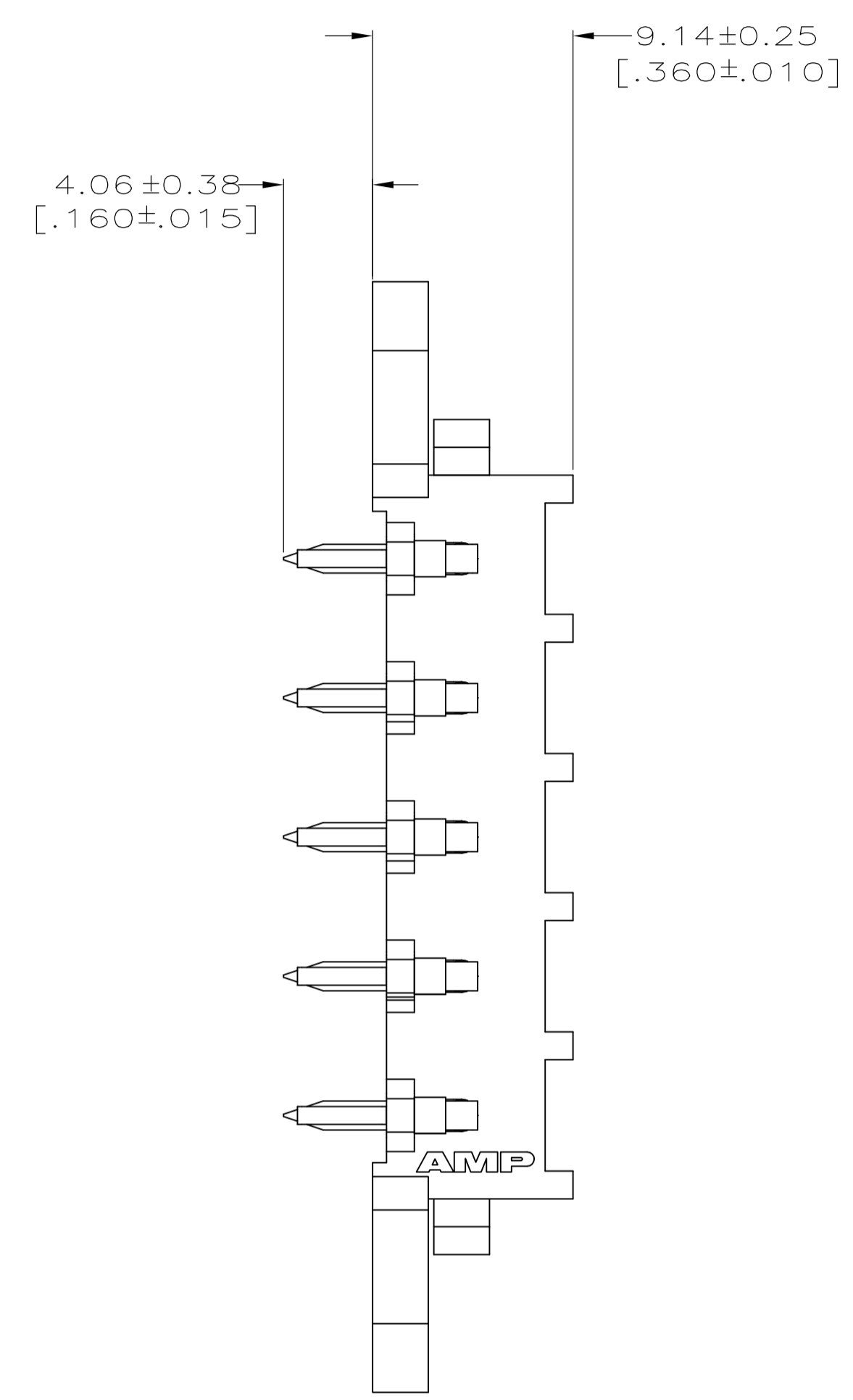
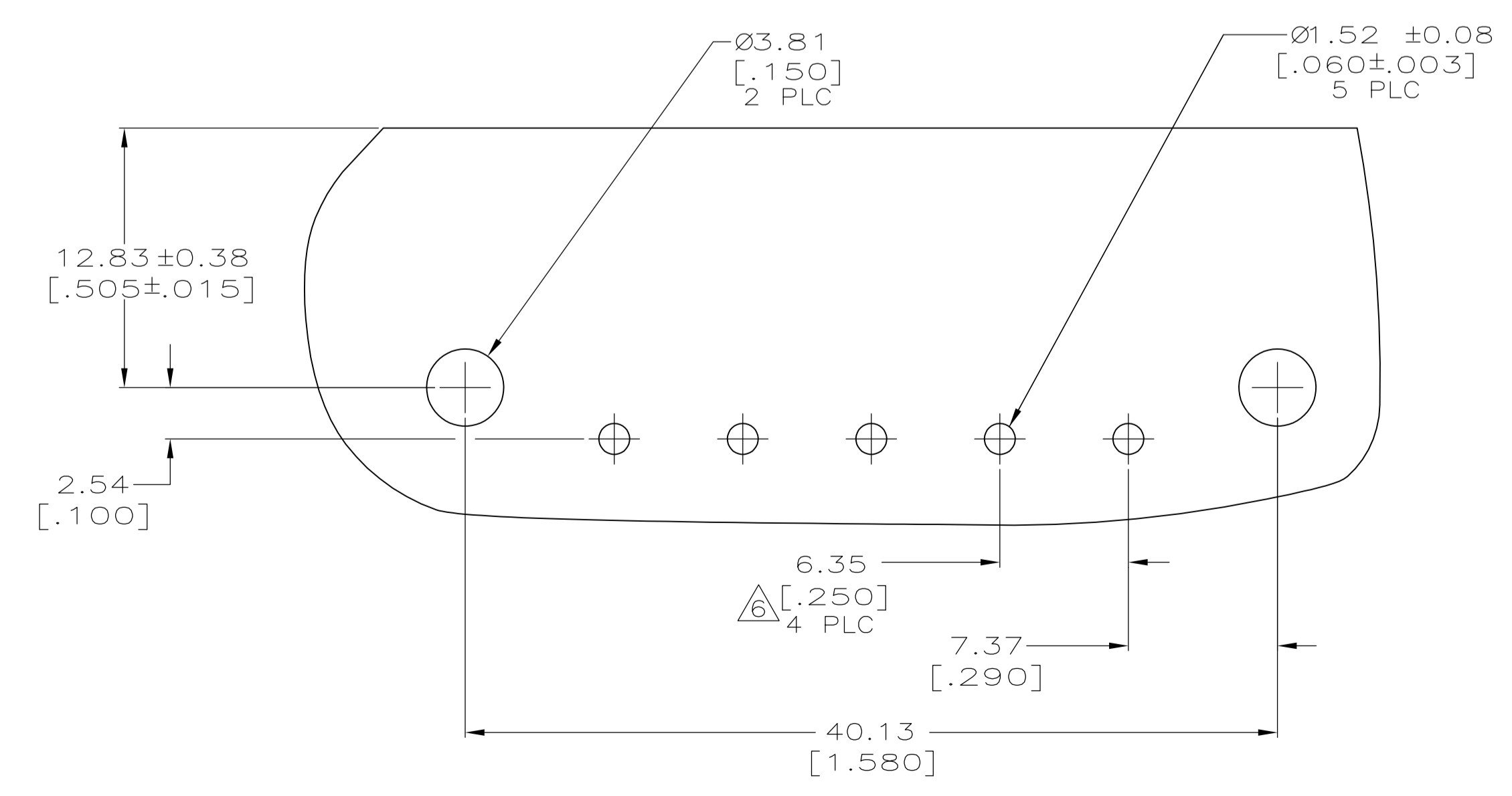


- 1 PARTS COMPLY WITH AMP SOLDERABILITY SPECIFICATION 109-11-5.
- 2 CIRCUIT IDENTIFICATION CHARACTERS ARE ADJACENT TO THE INDICATED CAVITIES, BUT LOCATION AND ORIENTATION MAY DIFFER FROM PRINT.
- 3 CONTACT IS PLATED OVERALL WITH 0.00127 [.000050] MIN NICKEL, THEN 0.00076 [.000030] GOLD OVER CONTACT LENGTH INDICATED AND MATTE TIN LEAD FINISH ON SOLDER TAIL END.
- 4 DIMENSIONS IN BRACKETS ARE IN INCHES.
- 5 OPTIONAL CONSTRUCTION MAY DELETE THIS RIB.
- 6 TOLERANCE NON-CUMULATIVE
- 7 CONTACT IS PLATED OVERALL WITH 0.00127 [.000050] MIN NICKEL, THEN 0.00076 [.000030] GOLD OVER CONTACT LENGTH INDICATED AND MATTE TIN FINISH ON SOLDER TAIL END.
- 8 SUPERSEDED BY 3-350945-0



3-DIMENSIONAL MODEL NTS



RECOMMENDED MOUNTING HOLE PATTERN FOR .062 [1.57] THICK P.C. BOARD

PH BRZ GOLD	NYLON, UL94V-0	3-350945-0
PH BRZ GOLD	NYLON, UL94V-0	2-350945-0
PH BRZ TIN	NYLON, UL94V-0	1-350945-0
CONTACT	HOUSING	PART NO

THIS DRAWING IS A CONTROLLED DOCUMENT.		DIN K. WHITAKER 21APR2005		TE Connectivity	
DIMENSIONS: mm [INCHES]		CHK S. RIDGILL 21APR2005		NAME	
TOLERANCES UNLESS OTHERWISE SPECIFIED:		APPV S. RIDGILL 21APR2005		PRODUCT SPEC	
0 PLC ± -	1 PLC ± -	APPLICATION SPEC			
2 PLC ± -	3 PLC ± 0.13 [.005]	SIZE			
4 PLC ± -	ANGLES ± ± 0.30'	CAGE CODE			
MATERIAL SEE TABLE	FINISH SEE TABLE	WEIGHT		DRAWING NO	
		A1 00779		350945	
		CUSTOMER DRAWING		RESTRICTED TO	
		SCALE 4:1		SHEET 1 of 1	
				REV L2	

# Mouser Electronics

Authorized Distributor

Click to View Pricing, Inventory, Delivery & Lifecycle Information:

[TE Connectivity:](#)

[1-350945-0](#)