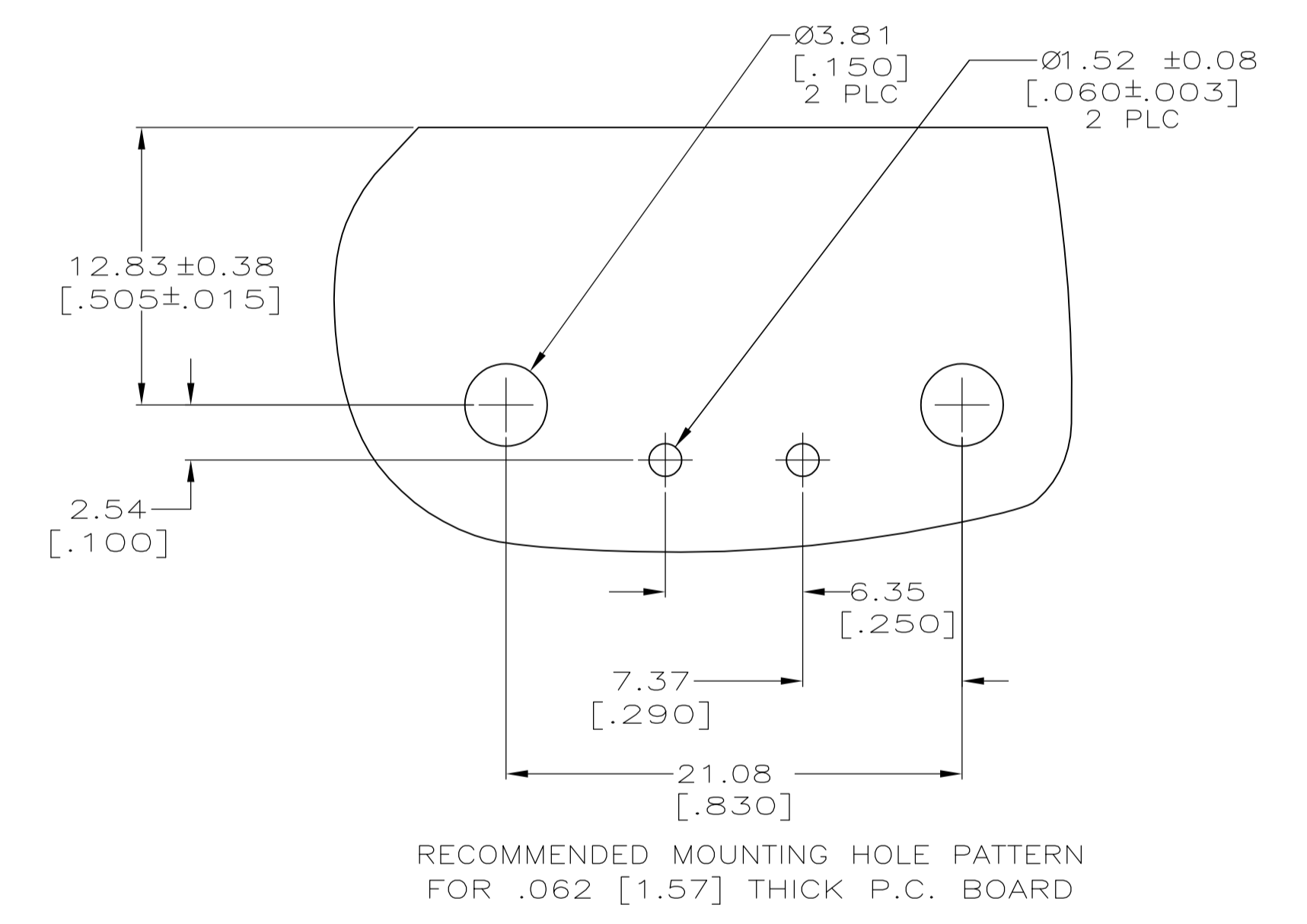
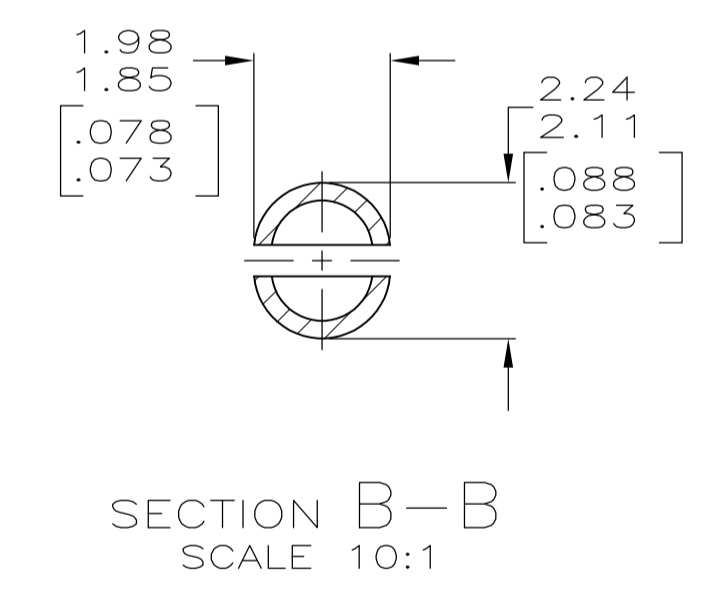
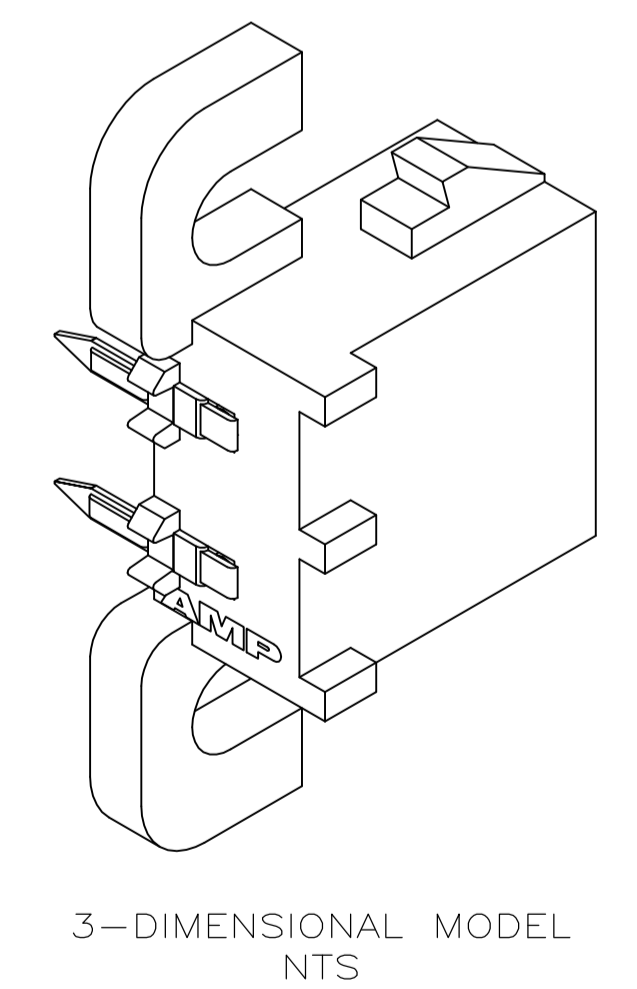
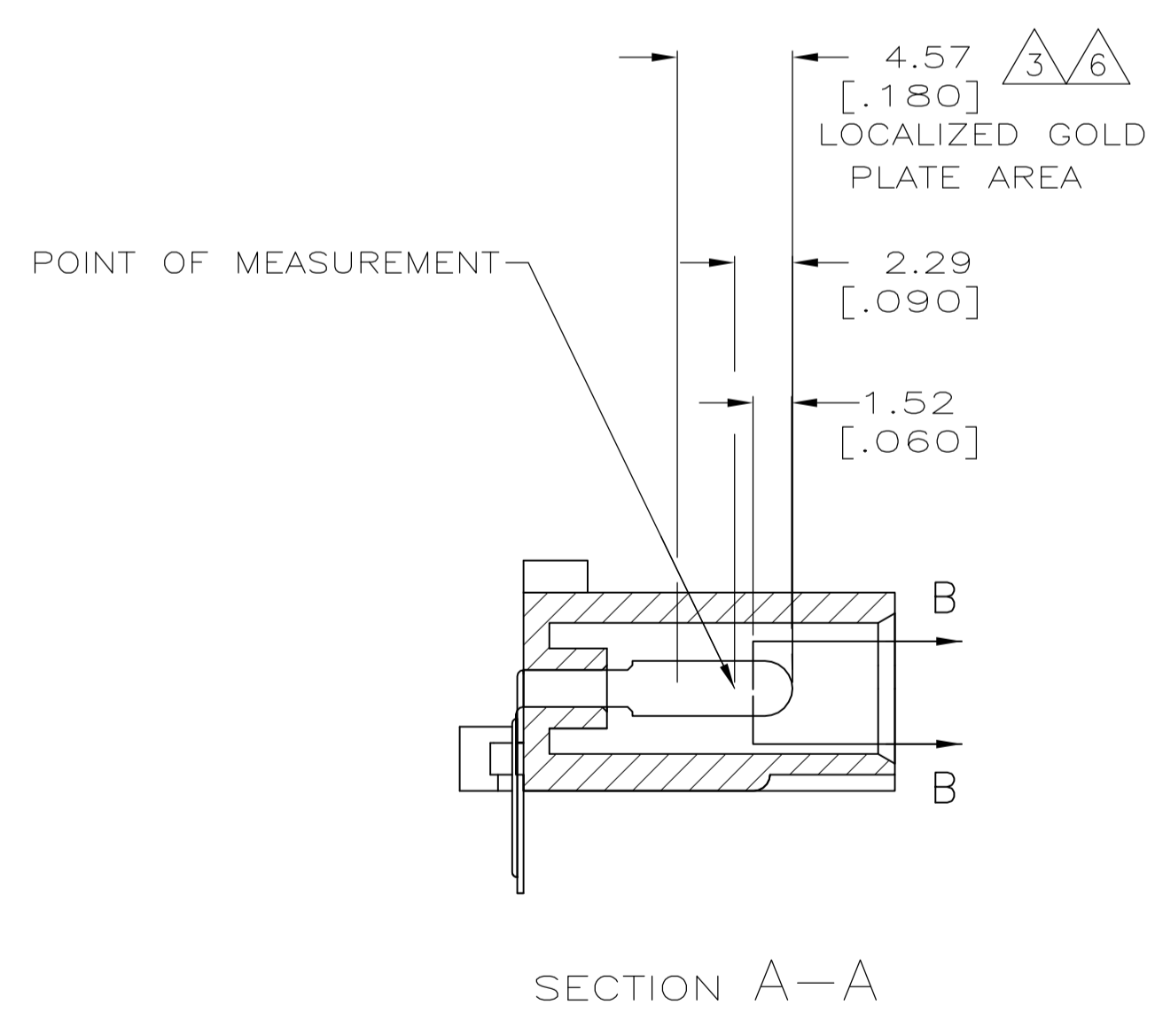
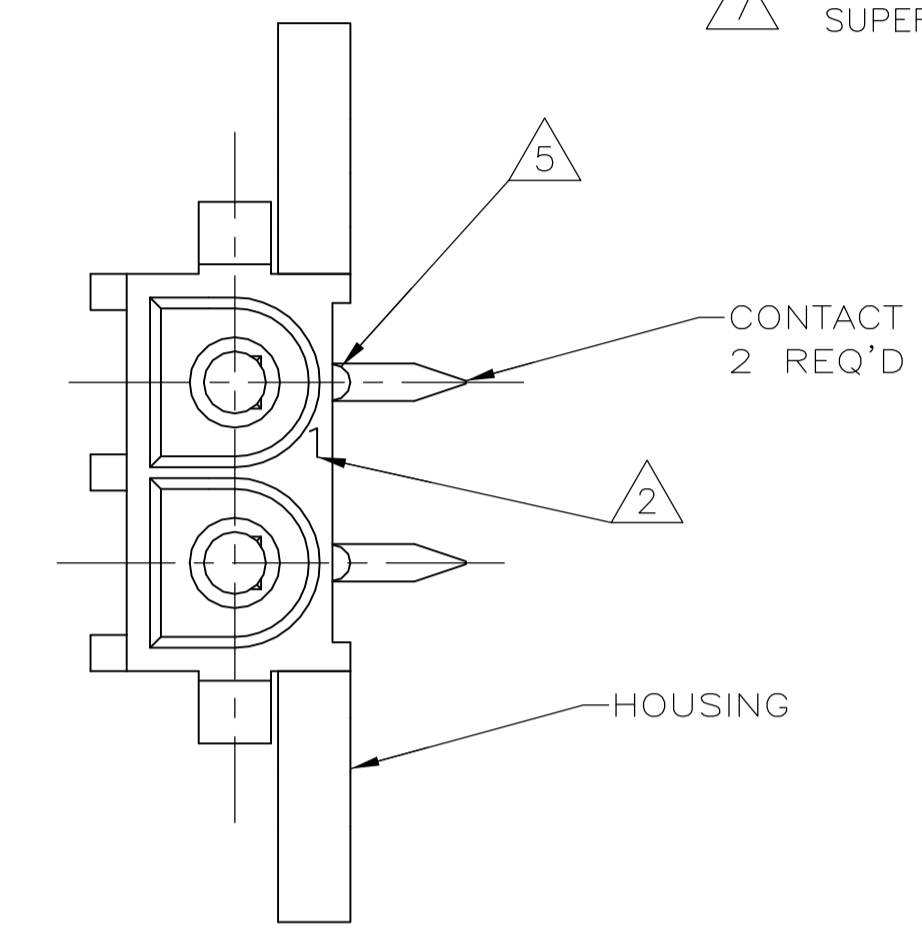
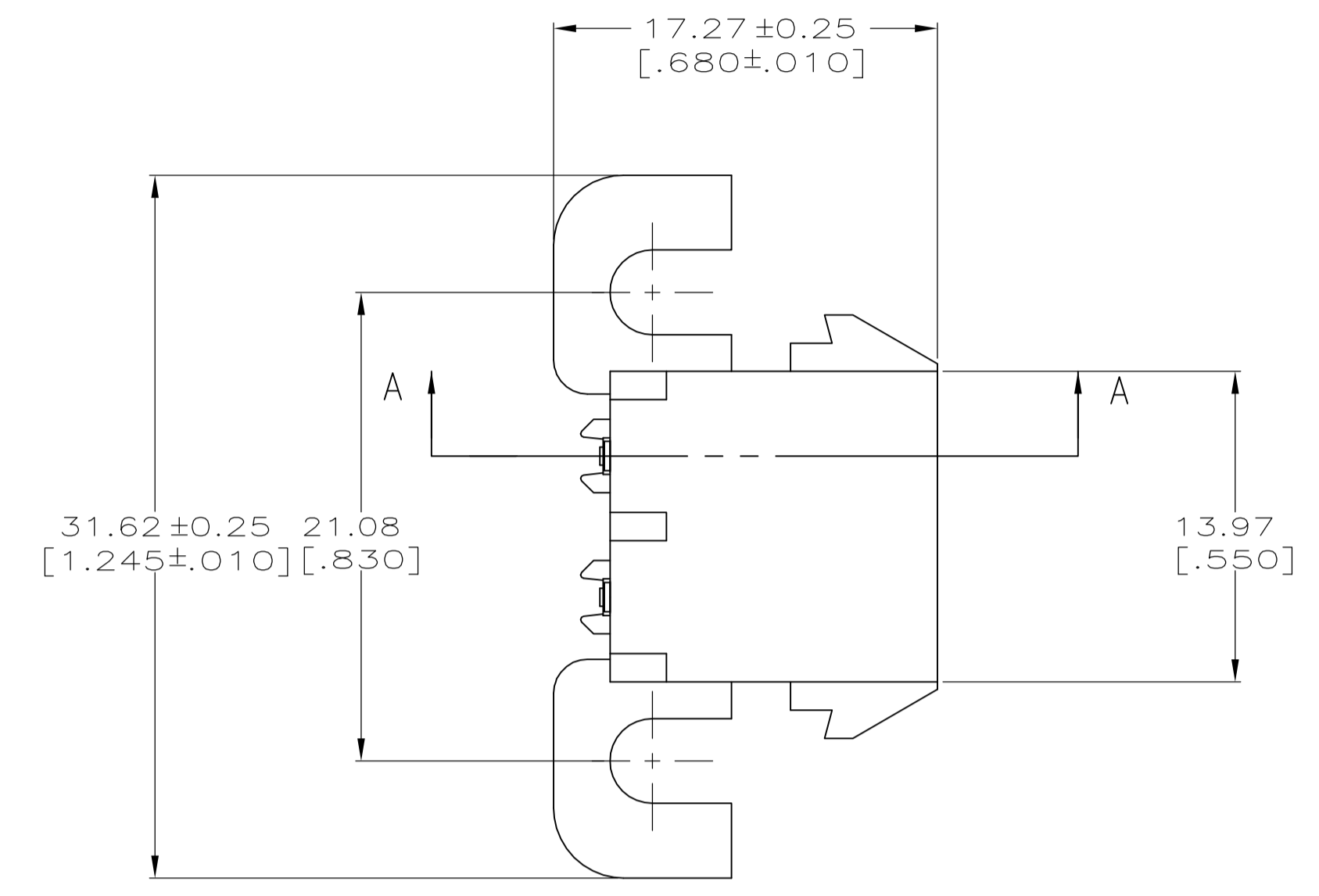
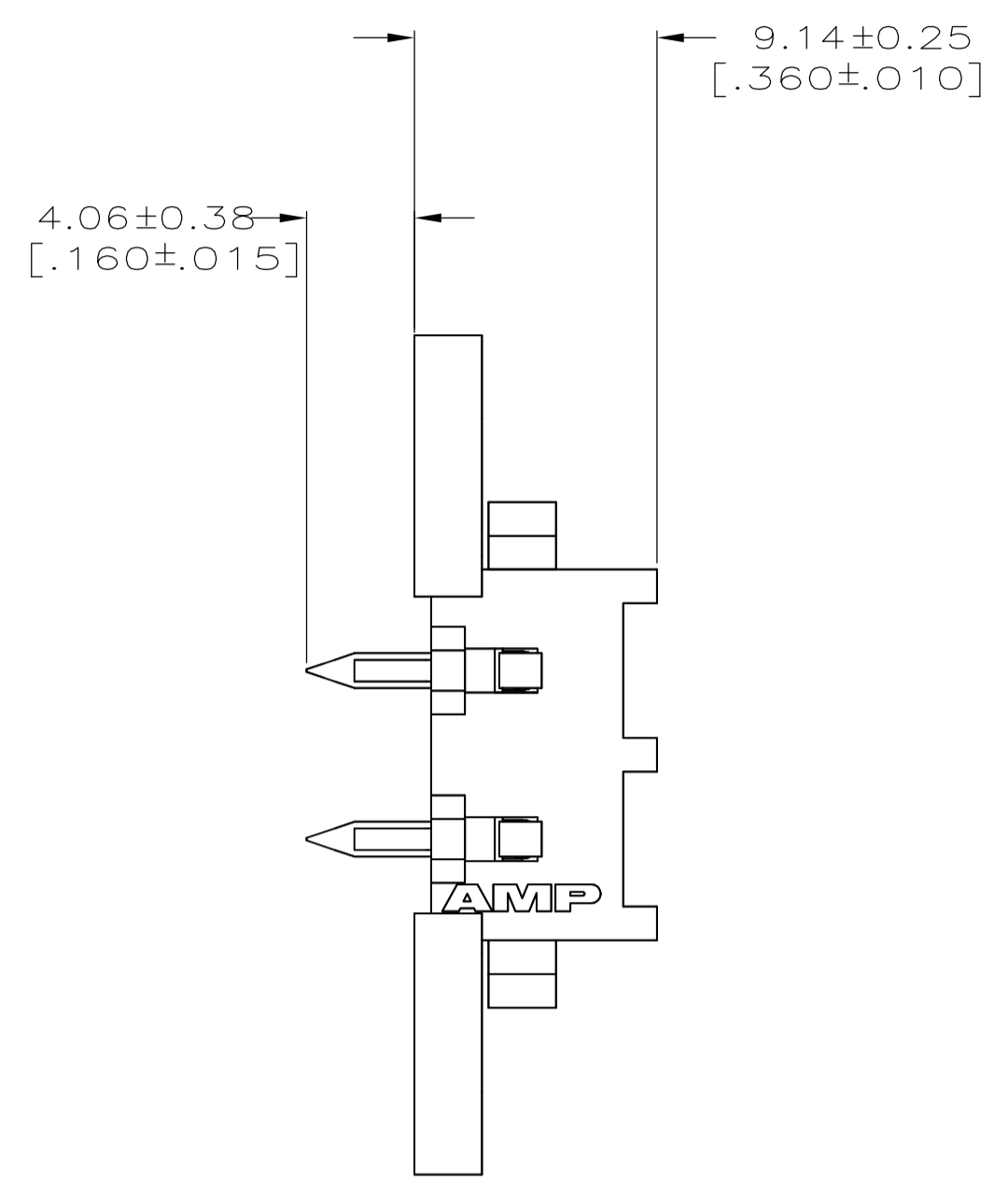


LOC		DIST		REVISIONS			
CM	00	REV	DATE	BY	APPV	DATE	DESCRIPTION
		L2	30JAN13	KH	TM		REVISED PER ECR-12-011660

- 1 PARTS COMPLY WITH AMP SOLDERABILITY SPECIFICATION 109-11-5.
- 2 CIRCUIT IDENTIFICATION CHARACTERS ARE ADJACENT TO THE INDICATED CAVITIES, BUT LOCATION AND ORIENTATION MAY DIFFER FROM PRINT.
- 3 CONTACT IS PLATED OVERALL WITH 0.00127 [.000050] MIN NICKEL, THEN 0.00076 [.000030] GOLD OVER CONTACT LENGTH INDICATED AND MATTE TIN LEAD FINISH ON SOLDER TAIL END.
- 4 DIMENSIONS IN BRACKETS ARE IN INCHES.
- 5 OPTIONAL CONSTRUCTION MAY DELETE THIS RIB.
- 6 CONTACT IS PLATED OVERALL WITH 0.00127 [.000050] MIN NICKEL, THEN 0.00076 [.000030] GOLD OVER CONTACT LENGTH INDICATED AND MATTE TIN FINISH ON SOLDER TAIL END.
- 7 SUPERSEDED BY 3-350942-0



PH BRZ GOLD	NYLON UL 94V-0	3-350942-0
PH BRZ GOLD	NYLON UL 94V-0	2-350942-0
PH BRZ TIN	NYLON UL 94V-0	1-350942-0
CONTACT	HOUSING	PART NO

THIS DRAWING IS A CONTROLLED DOCUMENT.

DIMENSIONS: mm [INCHES]	TOLERANCES UNLESS OTHERWISE SPECIFIED:	DWG: K. WHITAKER 22FEB2005	CHK: S. RIDGILL 22FEB2005	APVD: S. RIDGILL 22FEB2005	NAME: S. RIDGILL	SIZE: A1	SCALE: 4:1	SHEET: 1 OF 1	REV: L2
0 PLC ± -	1 PLC ± -	2 PLC ± -	3 PLC ± 0.13 [.005]	4 PLC ± -	ANGLES ± 0° 30'	WEIGHT: -	CAGE CODE: 350942	CUSTOMER DRAWING	RESTRICTED TO: -

STE TE Connectivity

PIN HEADER ASSEMBLY, RIGHT ANGLE MOUNT, 2 POSITION, UNIVERSAL MATE-N-LOK(TM)

# Mouser Electronics

Authorized Distributor

Click to View Pricing, Inventory, Delivery & Lifecycle Information:

[TE Connectivity:](#)

[1-350942-0](#)