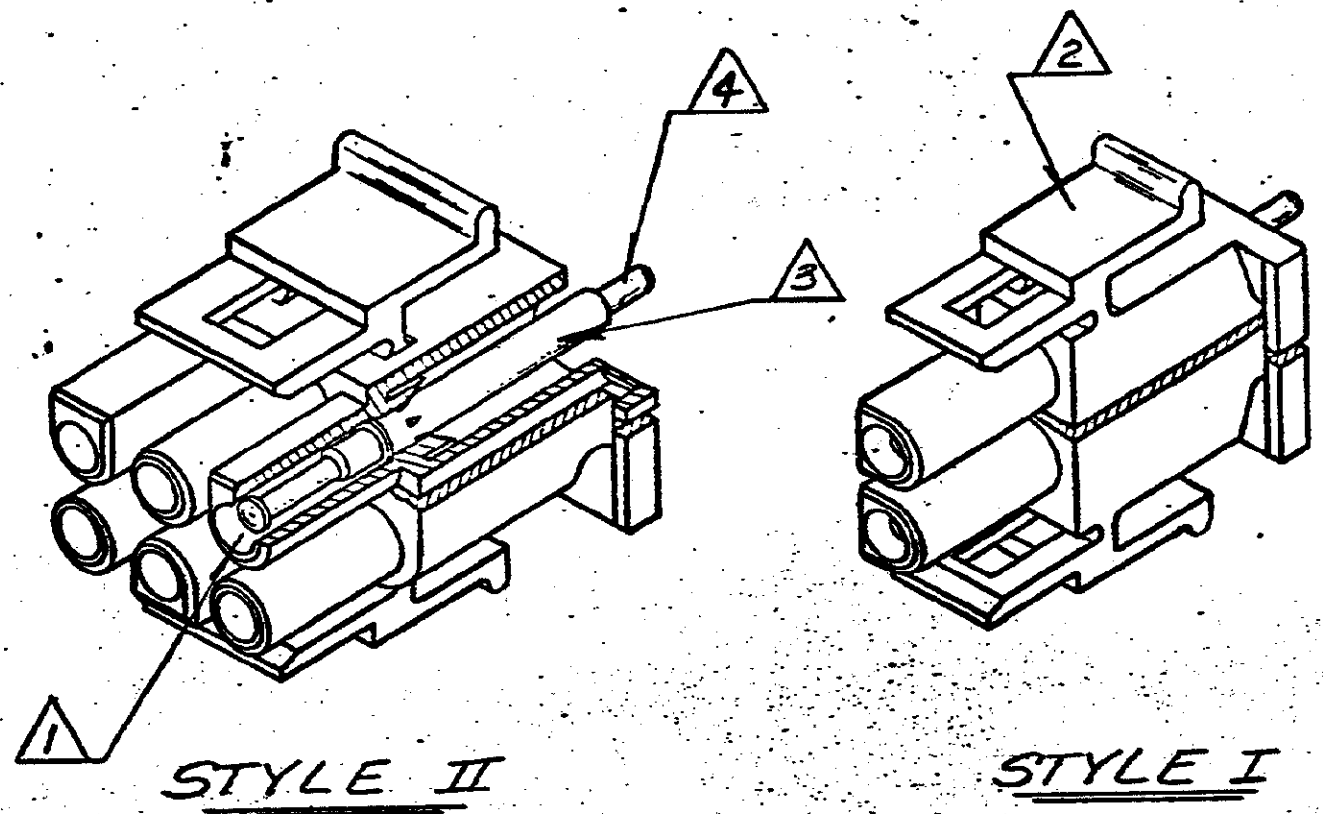


REVISIONS					
REV	ZONE	LTR	DESCRIPTION	DATE	APPROVED
1	A2		REVISED PER ECO-11-005294	05APR11	HMR



- 1 SPRING LOADED TEST PROBE
- 2 PLUG HOUSING - FLAME RETARDANT NYLON (94V-0 RATING), FINISH - NATURAL
- 3 TEST PROBE RECEPTACLE. MATERIAL - BRASS, FINISH - PRE-TIN
- 4 ACCEPTS UNIVERSAL MATE-N-LOK SOCKETS.

STYLE	NO OF CIRCUITS	PART NO
II	15	1-350848-5
II	12	1-350848-2
II	9	350848-9
II	6	350848-6
I	5	350848-5
I	4	350848-4
I	3	350848-3
I	2	350848-2

UNLESS OTHERWISE SPECIFIED DIMENSIONS ARE IN INCHES. TOLERANCES ON: DECIMALS ± ANGLES ±	CONTRACT NO	TE Connectivity
	DR <i>B.C. WINSARD 8-14-75</i>	
MATERIAL	CHK <i>[Signature]</i> 7-8-75	NAME
FINISH	APPO <i>R.P.F. [Signature]</i> 9/28/75	UNIVERSAL MATE-N-LOK PLUG TEST ASSEMBLY
	OTHER APPO	SIZE B CODE IDENT NO 00779 DRAWING NO 350848
		SCALE SHEET

CUSTOMER DRAWING

Mouser Electronics

Authorized Distributor

Click to View Pricing, Inventory, Delivery & Lifecycle Information:

[TE Connectivity:](#)

[350848-9](#)