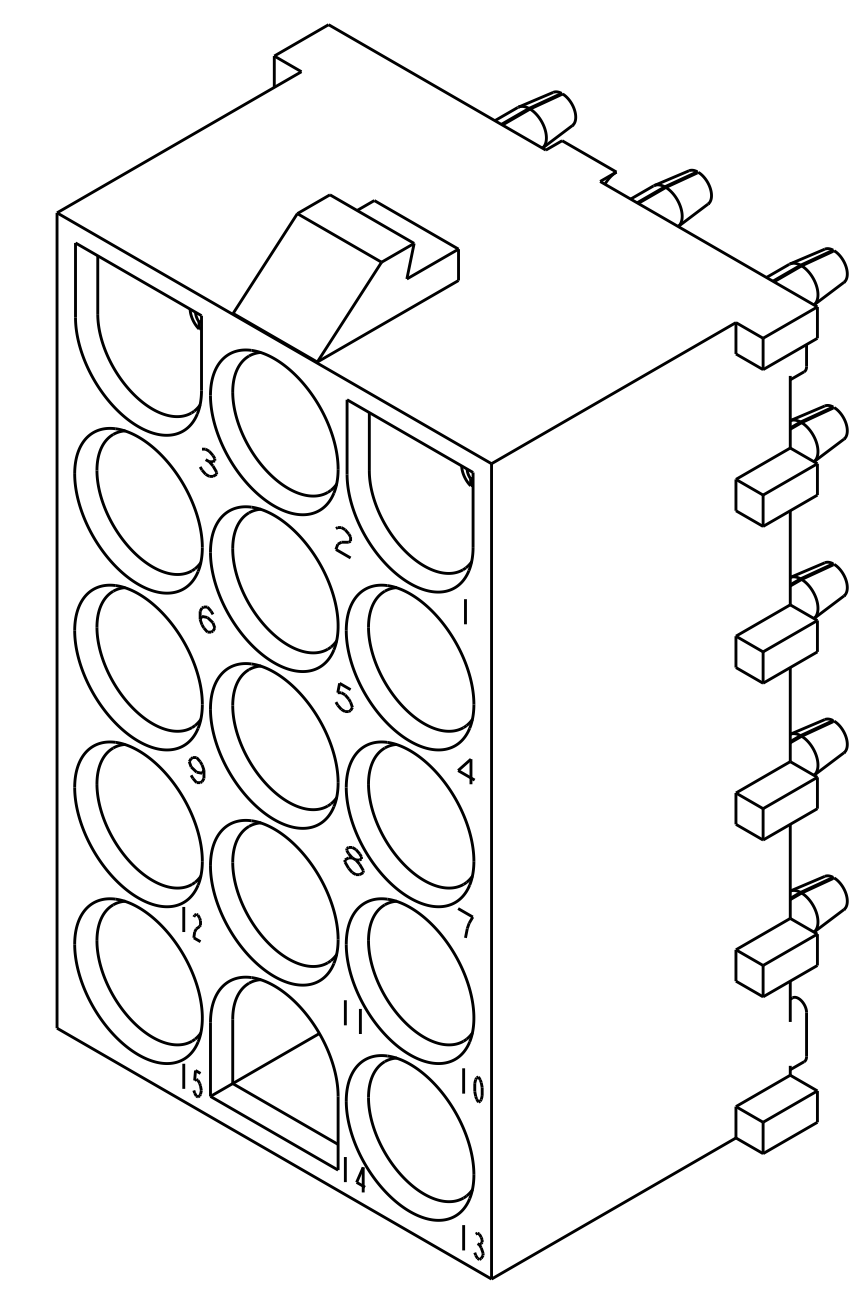
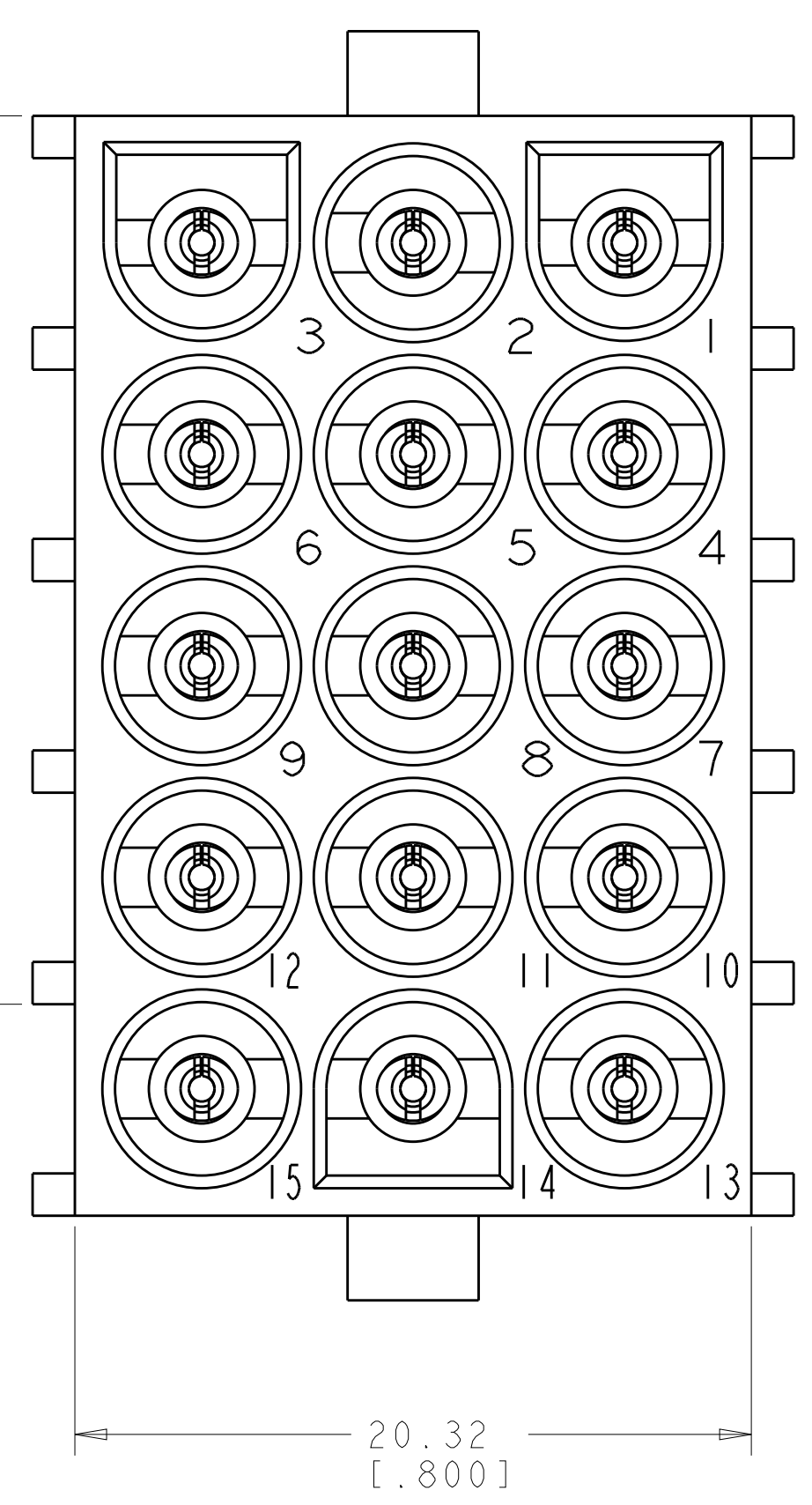
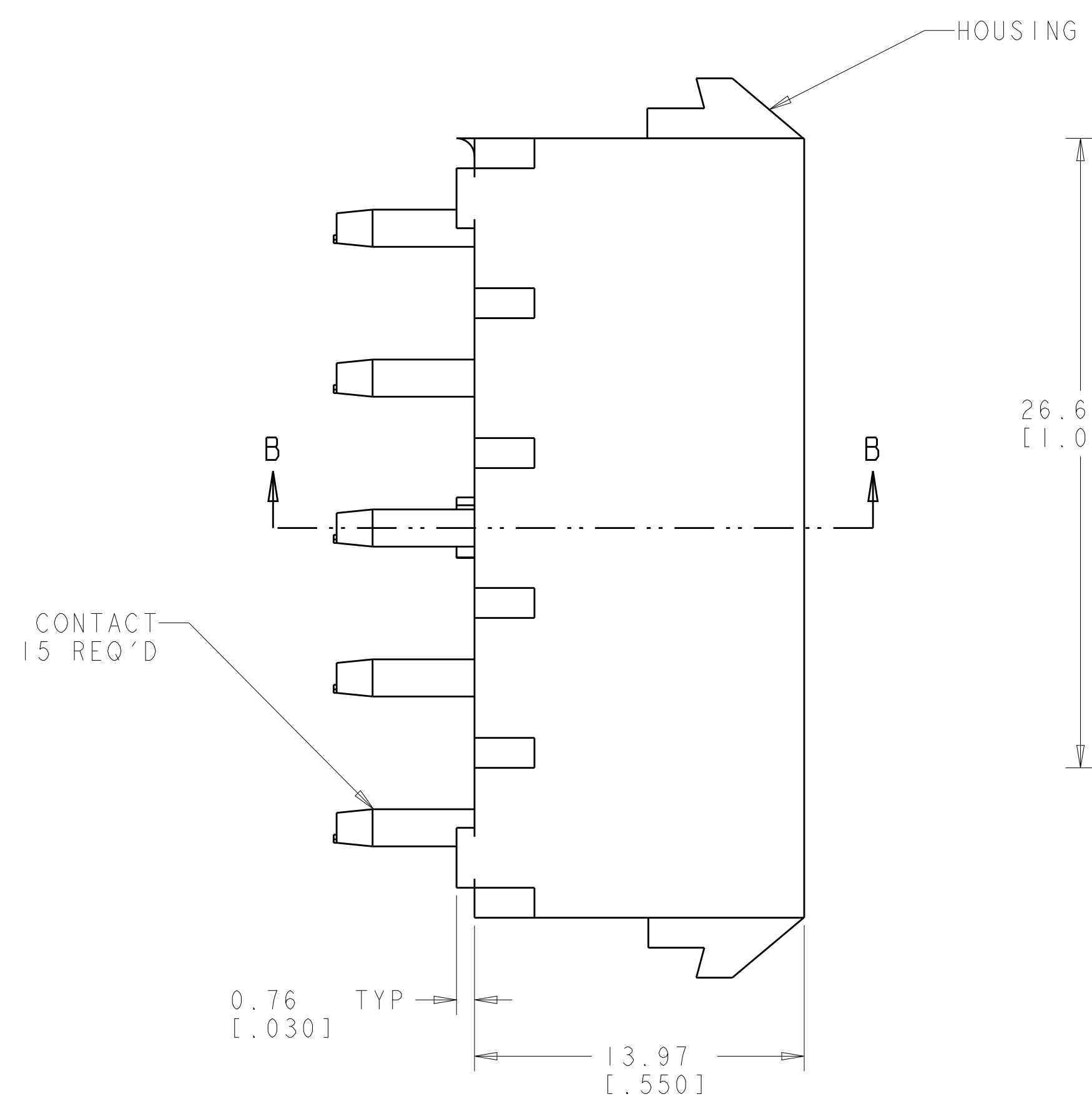
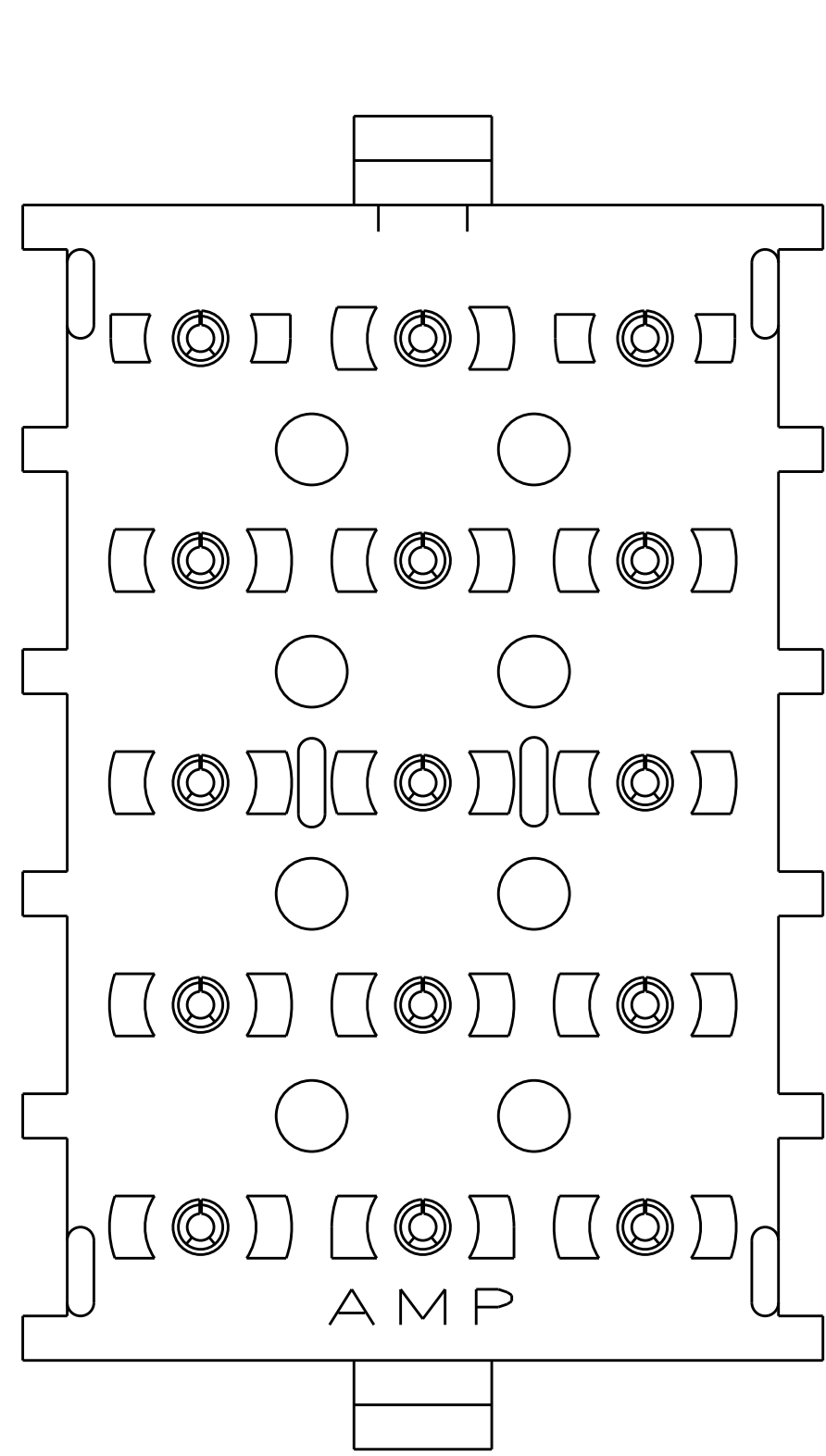
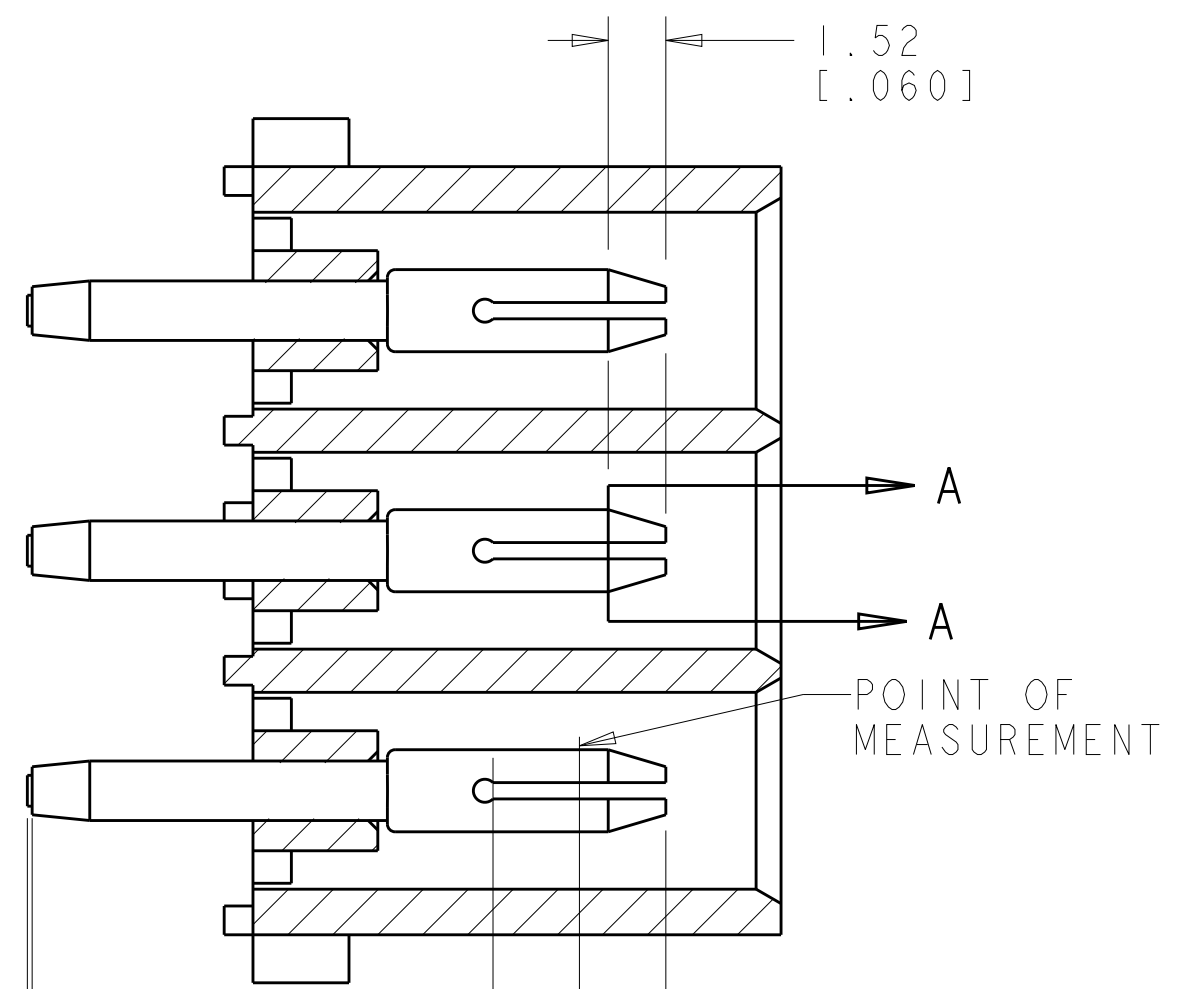
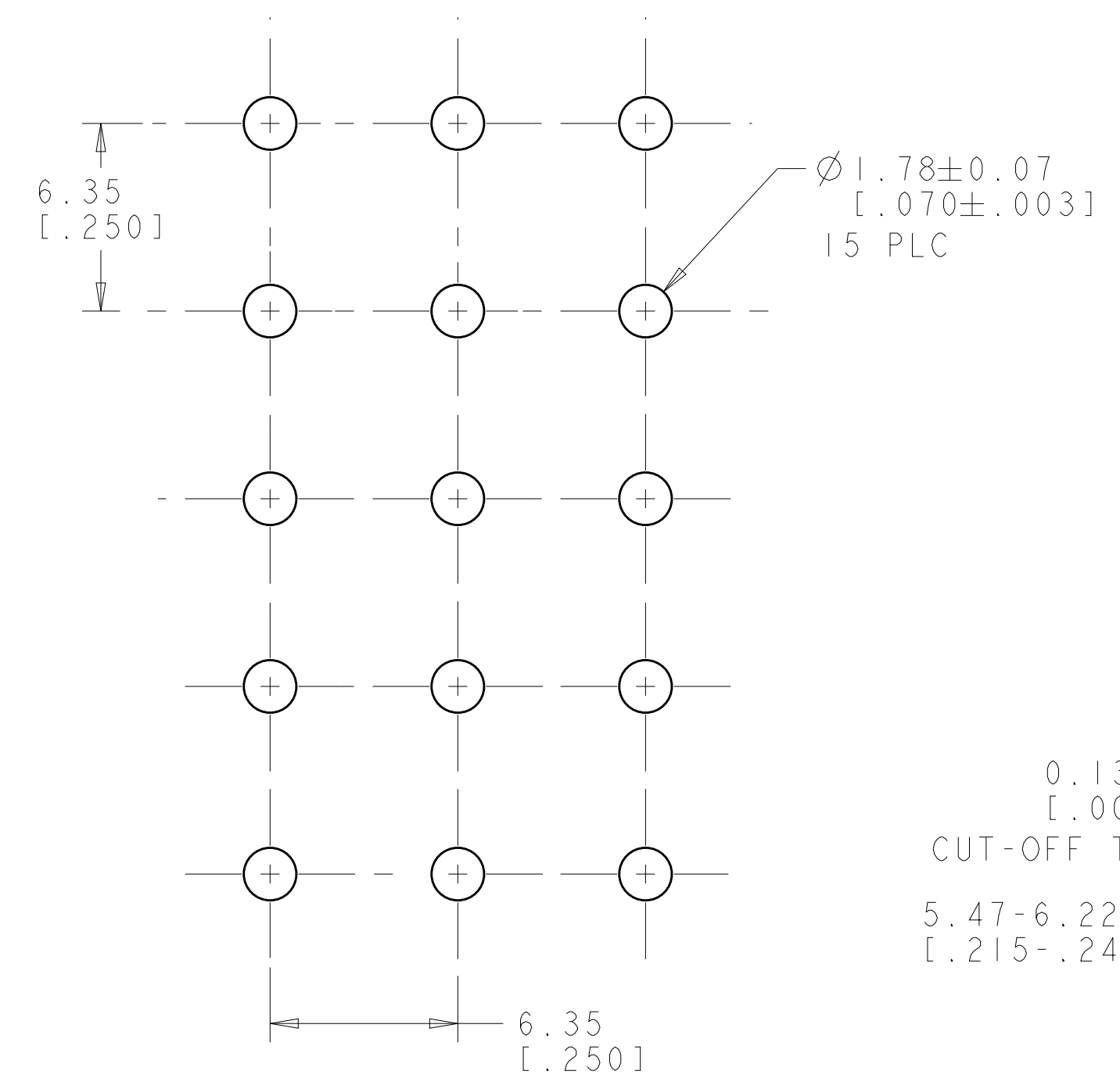


LOC	DIST	REV	DATE	BY	APP'D
CM	00	M2	24JAN2013	KH	TM

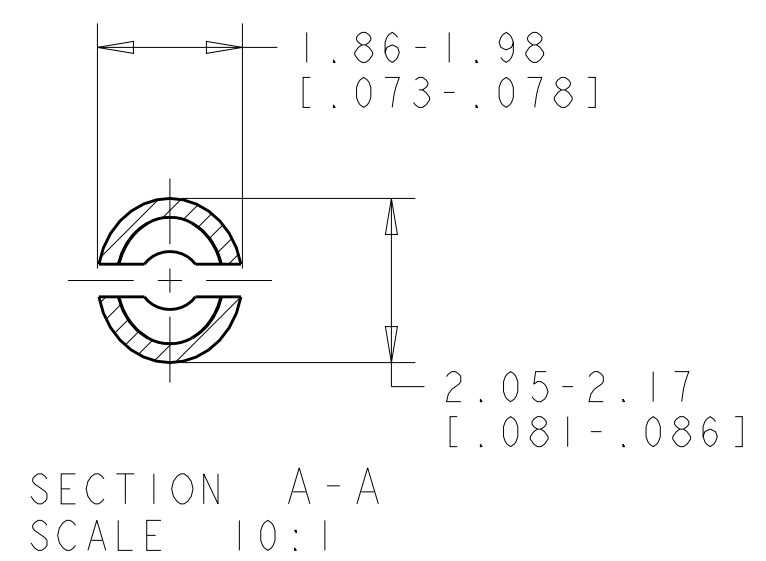
- MATES WITH HOUSING 350736.
- PARTS COMPLY TO AMP SOLDERABILITY SPECIFICATION 109-11-3.
- CONTACT IS PLATED OVERALL WITH 0.00127 [.00050] NICKEL, THEN 0.00076 [.00030] GOLD OVER CONTACT LENGTH INDICATED AND TIN LEAD ON SOLDER TAIL END.
- CIRCUIT IDENTIFICATION CHARACTERS ARE ADJACENT TO THE INDICATED CAVITIES, BUT LOCATION AND ORIENTATION MAY DIFFER FROM PRINT.
- CONTACT IS PLATED OVERALL WITH 0.00127 [.00050] NICKEL, THEN 0.00076 [.00030] GOLD OVER CONTACT LENGTH INDICATED AND MATTE TIN ON SOLDER TAIL END.
- DIMENSIONS IN BRACKETS ARE IN INCHES.
- SUPERSEDED BY 350738-4



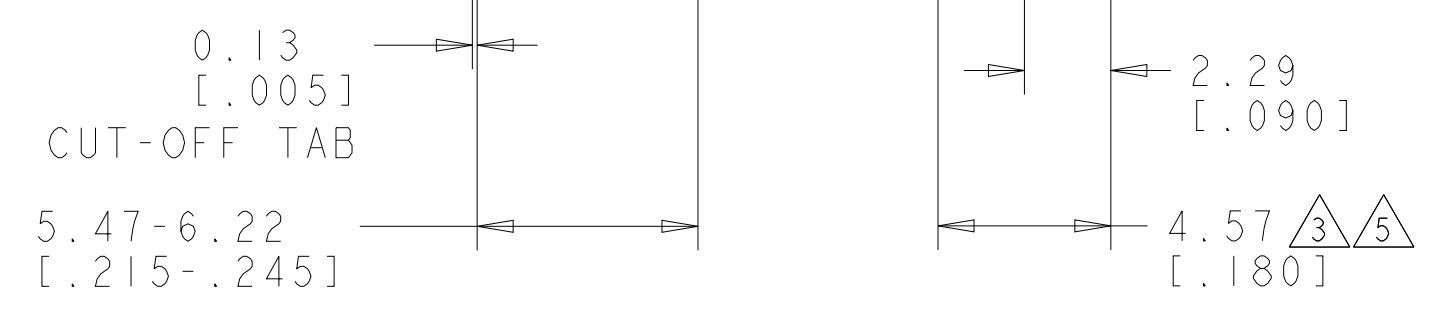
3 DIMENSIONAL MODEL SCALE 4:1



SECTION B-B

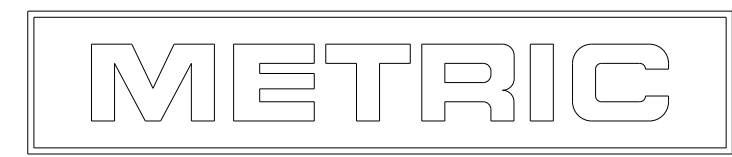


SECTION A-A SCALE 10:1



PIN CONTACT MATERIAL AND FINISH	HOUSING MATERIAL AND COLOR	PART NUMBER
PHOSPOR BRONZE, GOLD	NYLON, UL94V-0, NATURAL	350738-4
PHOSPOR BRONZE, GOLD	NYLON, UL94V-0, NATURAL	350738-2
PHOSPOR BRONZE, PRE-TIN	NYLON, UL94V-0, NATURAL	350738-1

RECOMMENDED MOUNTING HOLE PATTERN FOR 1.57 [0.062] THICK P.C. BOARD HOLE THAT CORRESPONDS TO REMOVED CONTACT CAN BE OMITTED



THIS DRAWING IS A CONTROLLED DOCUMENT.		DWG: K. WHITAKER 05OCT2005 CHK: S. RIDGILL 05OCT2005 APVD: S. RIDGILL 05OCT2005	STE TE Connectivity
DIMENSIONS: mm [INCHES] TOLERANCES UNLESS OTHERWISE SPECIFIED: 0 PLC ± 1 PLC ±0.131(.005) 2 PLC ± 3 PLC ± 4 PLC ± ANGLES 40°/30° FINISH SEE TABLE	PRODUCT SPEC APPLICATION SPEC WEIGHT CUSTOMER DRAWING	NAME: PIN HEADER ASSEMBLY, 15 CIRCUIT, UNIVERSAL MATE-N-LOK(TM) SIZE: A1 CAGE CODE: 00779 DRAWING NO: 350738	RESTRICTED TO SCALE: 1:1 SHEET: 1 OF 1 REV: M2

Mouser Electronics

Authorized Distributor

Click to View Pricing, Inventory, Delivery & Lifecycle Information:

[TE Connectivity:](#)

[350738-4](#)