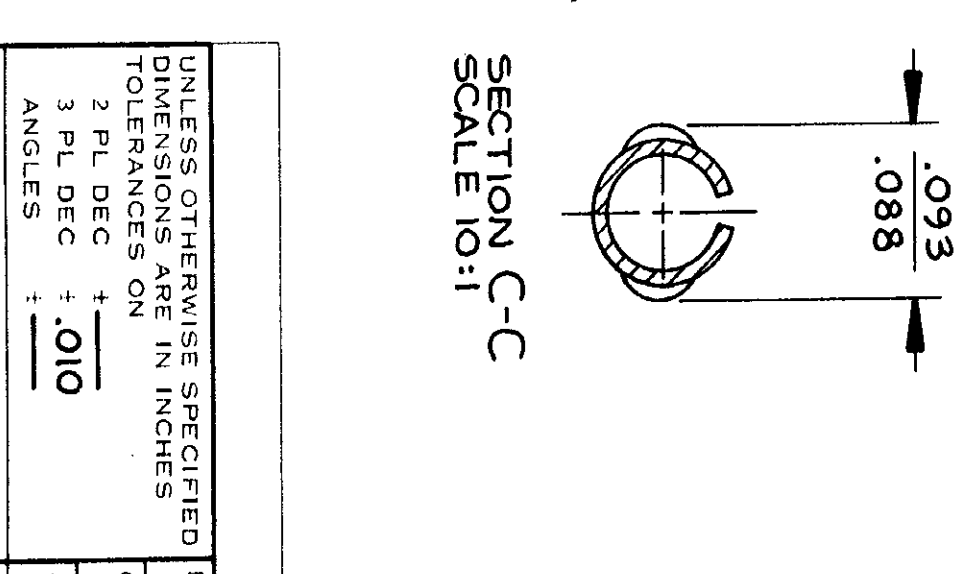
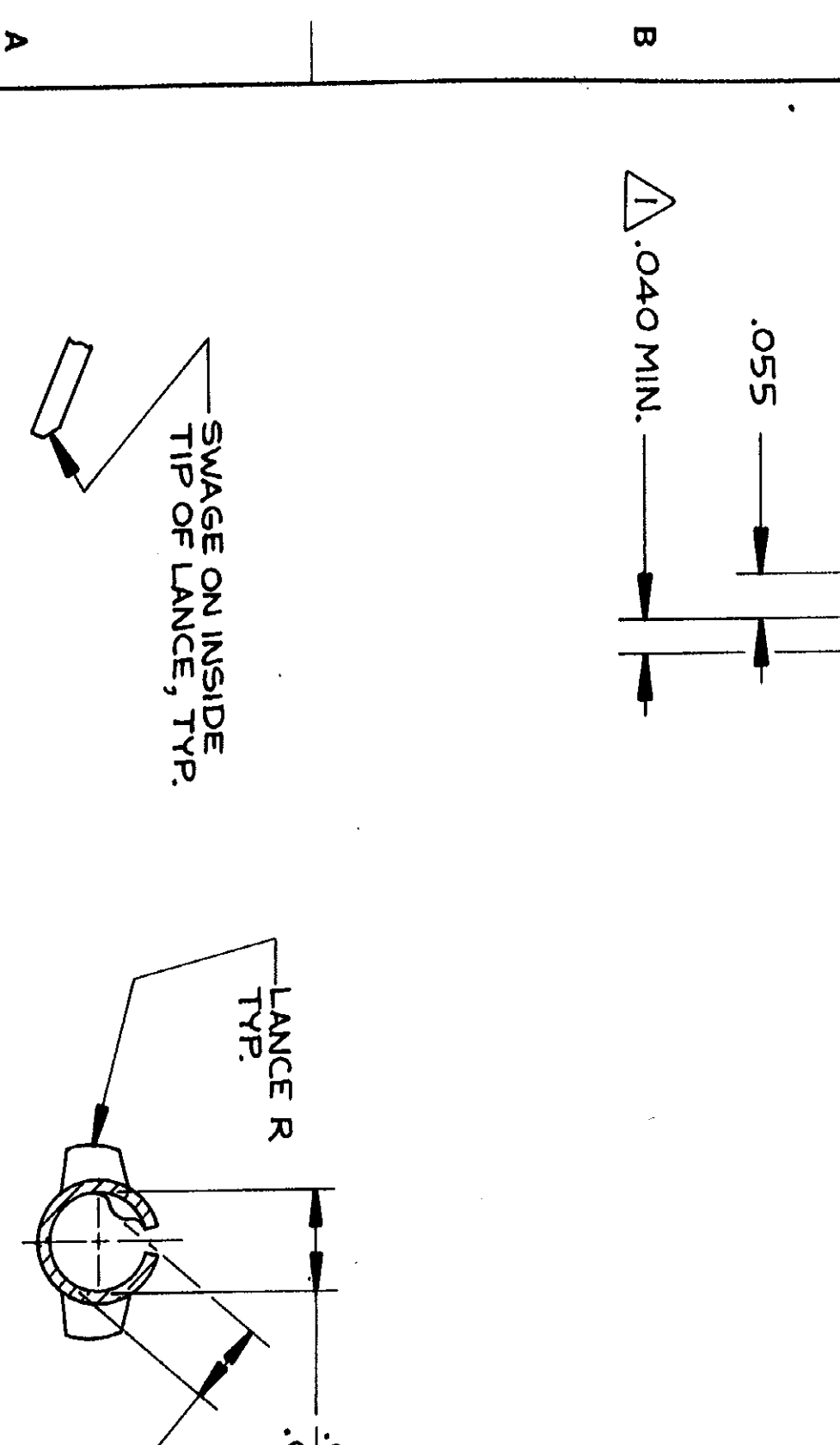
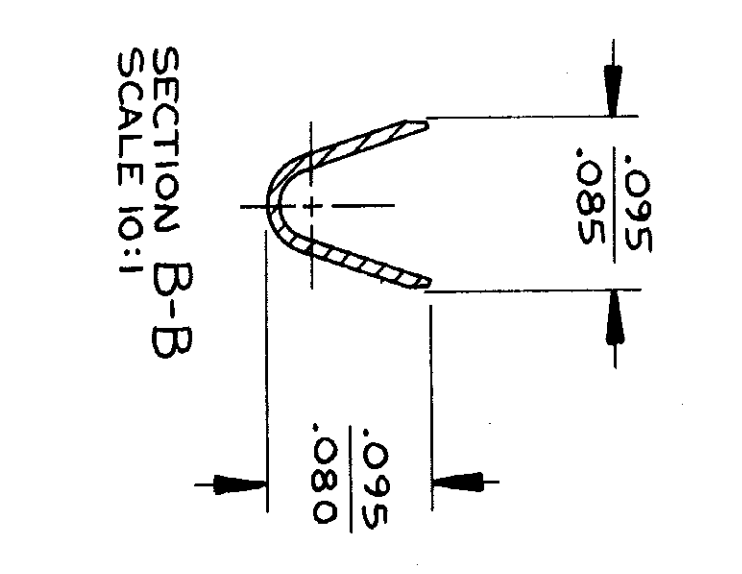
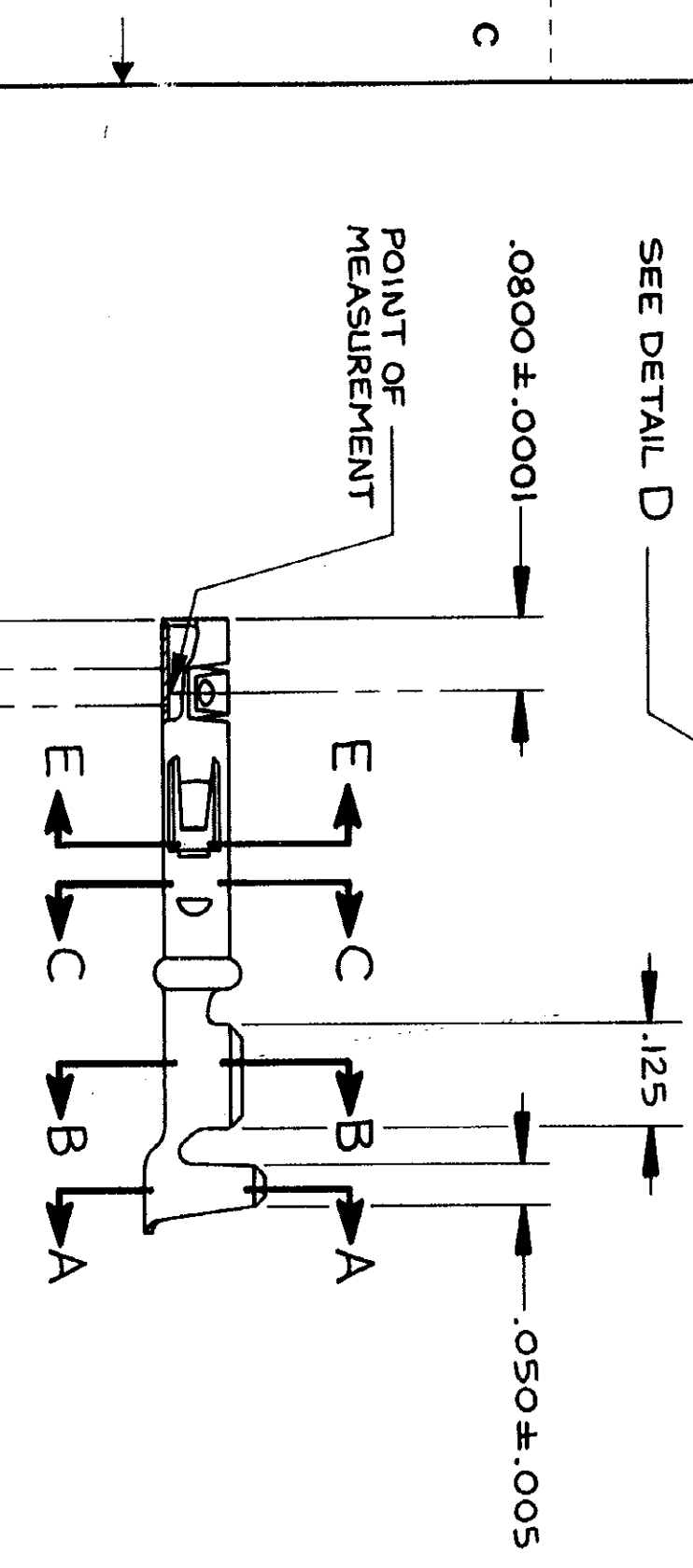
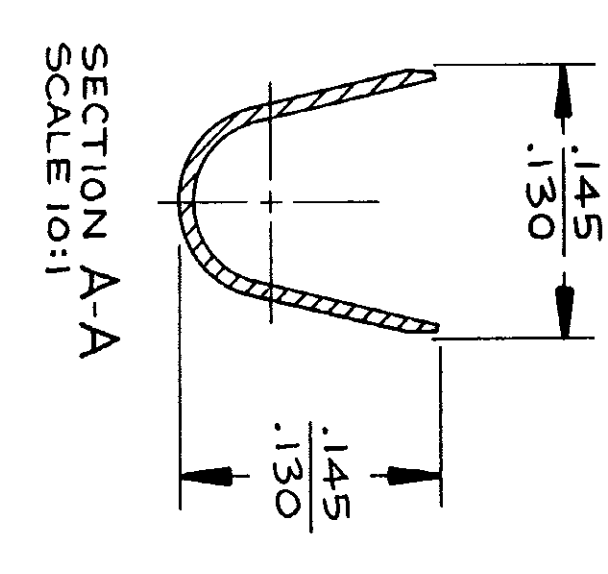
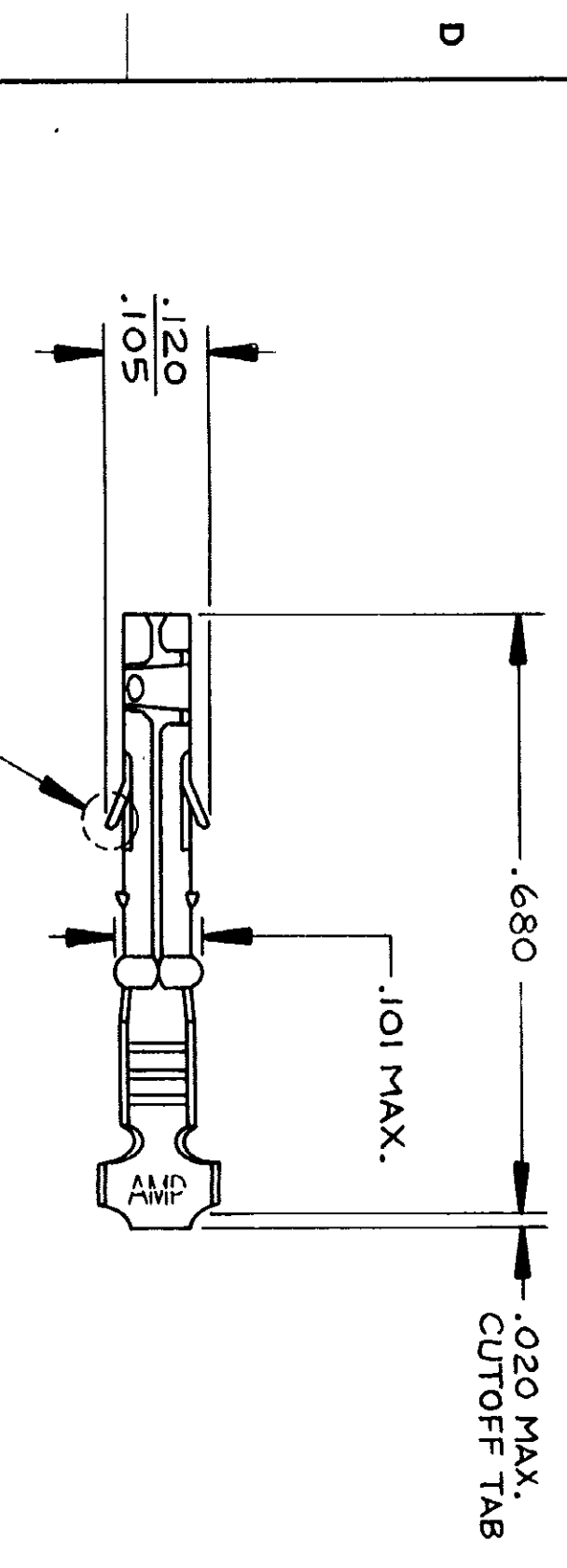


LOC	DIST	REVISIONS	DESCRIPTION	DATE	APPD
CM	53				
			S2 WAS SHOWN ON DWG. 350665	5-27-87	5/AS



- 1 PLATED INSIDE WITH .000030 GOLD OVER .000050 NICKEL UNDERPLATE.
2. WIRE RANGE: 26-18 AWG INSULATION RANGE: .050-.115 DIA.

PART NUMBER	MATERIAL	FINISH
350666-1	.008 PHOS. BRONZE	PRE-TIN
-2	.008 PHOS. BRONZE	PRE-GOLD STRIP

UNLESS OTHERWISE SPECIFIED DIMENSIONS ARE IN INCHES TOLERANCES ON		DR		NAME	
2 PL DEC	+ .010	S. JAMES 5-27-87		AMP AMP INCORPORATED Harrisburg, Pa. 17105	
3 PL DEC	+ .010	CHK K. Sluening 6-1-87		MR RECEPTACLE, LOOSE PIECE	
ANGLES	± .010	APPD W. R. Kaplan 6-2-87		AMP	
MATERIAL	SEE TABLE	PRODUCT SPEC		PART NO	
FINISH	SEE TABLE	APPLICATION SPEC		SIZE	
WEIGHT	SEE TABLE	SCALE		FSCM NO	
		5:1		DRAWING NO	
				350666	
				SHEET 1 OF 1	

Mouser Electronics

Authorized Distributor

Click to View Pricing, Inventory, Delivery & Lifecycle Information:

[TE Connectivity:](#)

[350666-1](#)