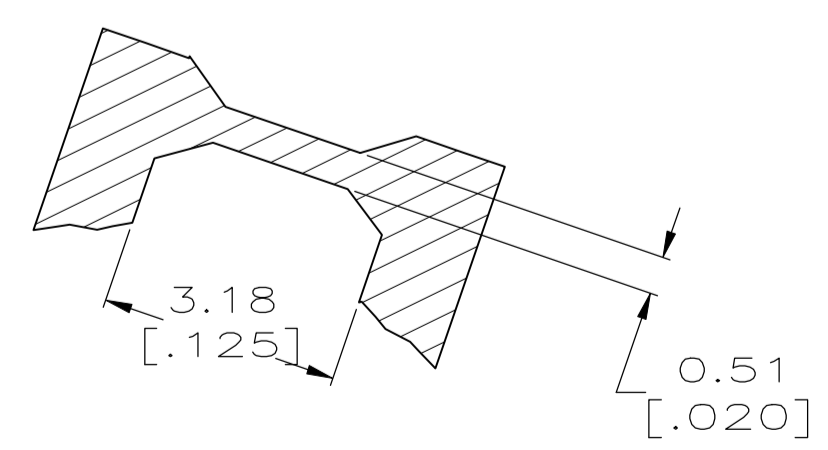
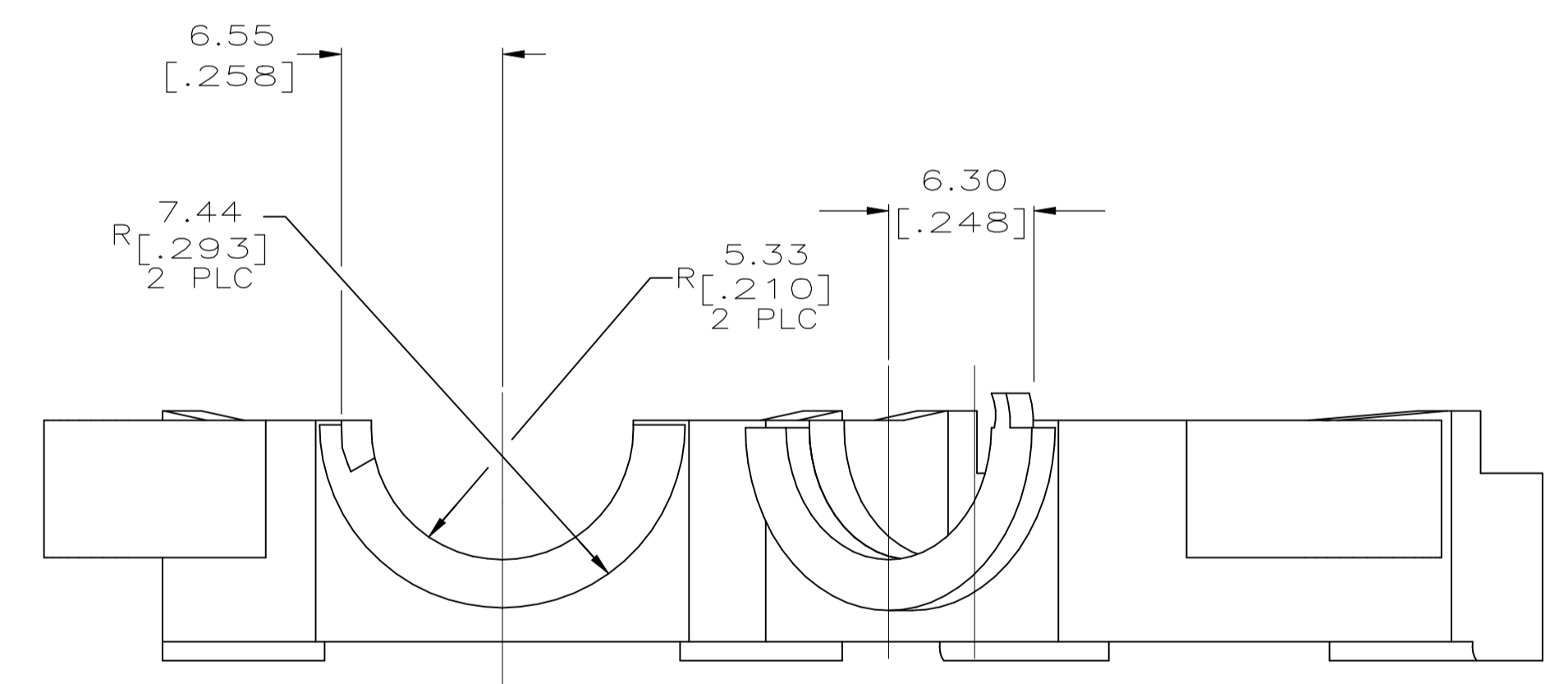
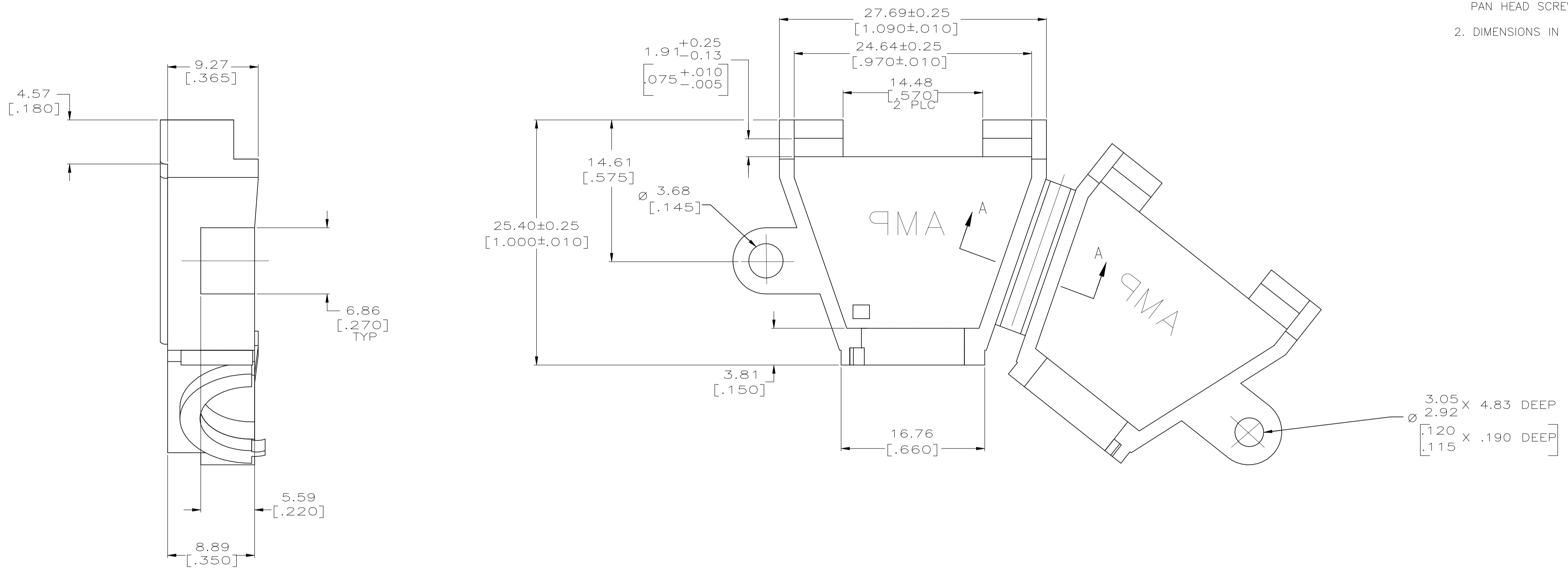
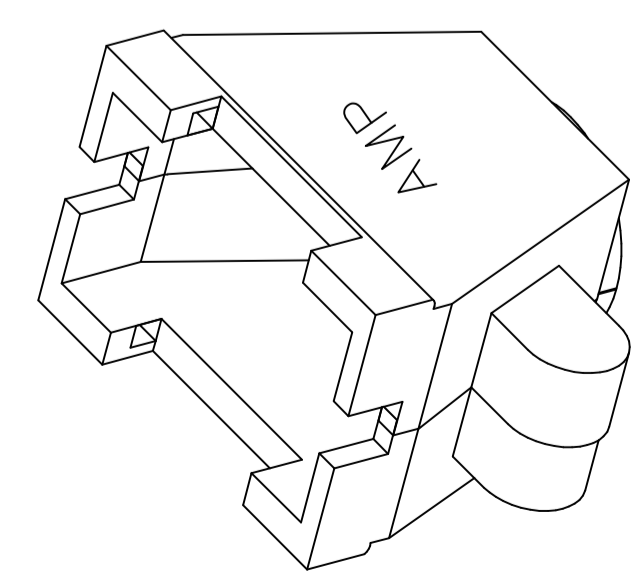


REVISIONS				
P	LTR	DESCRIPTION	DATE	APP'D
J		REV & REDRAWN PER EC 0730-0072-94	8-26-93	RS
J1		REVISED PER ECO-18-019631	17DEC2018	RS MZ

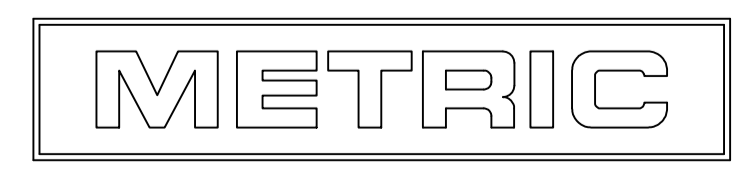
- REQUIRES A #6 PAN HEAD TYPE "B" SELF TAPPING PAN HEAD SCREW, 9.53 [.375] LONG.
- DIMENSIONS IN BRACKETS ARE IN INCHES.



SECTION A-A
SCALE 10:1



3-DIMENSIONAL MODEL
NTS



BLACK	1-350523-9
BRICK RED	350523-1
COLOR	PART NO



THIS DRAWING IS A CONTROLLED DOCUMENT.		DWN K. SALMON 8-26-93
DIMENSIONS: mm [INCHES]		DWG R. SWING 8-26-93
TOLERANCES UNLESS OTHERWISE SPECIFIED:		APVD W. LONG
0 PLC ± -	1 PLC ± -	PRODUCT SPEC
2 PLC ± 0.13[.005]	3 PLC ± -	APPLICATION SPEC
4 PLC ± -	ANGLES ± -	WEIGHT
MATERIAL: NYLON	FINISH: COLOR, SEE TABLE	CUSTOMER DRAWING
SIZE: A1	CAGE CODE: 00779	DRAWING NO: C=350523
SCALE: 4:1	SHEET: 1 OF 1	REV: J1

Mouser Electronics

Authorized Distributor

Click to View Pricing, Inventory, Delivery & Lifecycle Information:

[TE Connectivity:](#)

[350523-1](#)