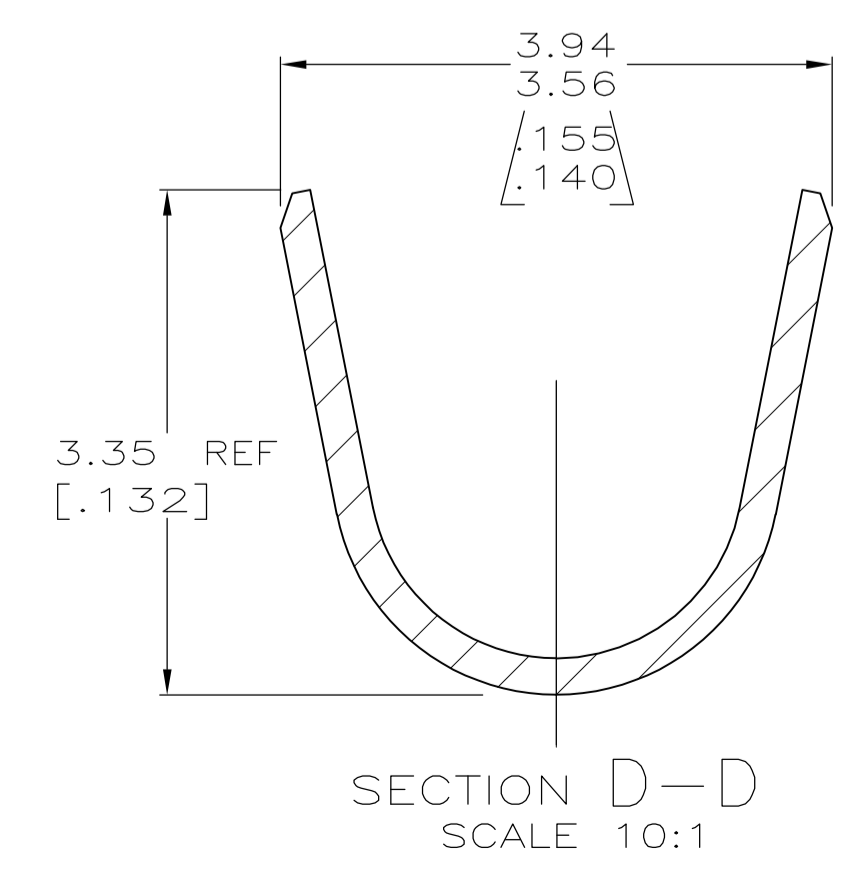
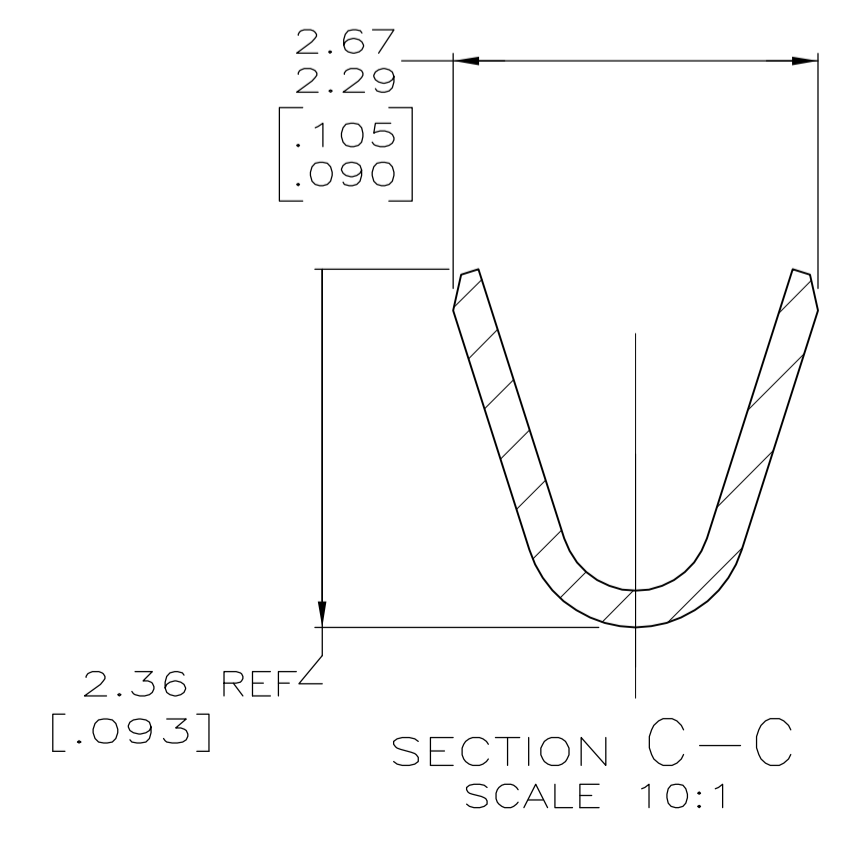
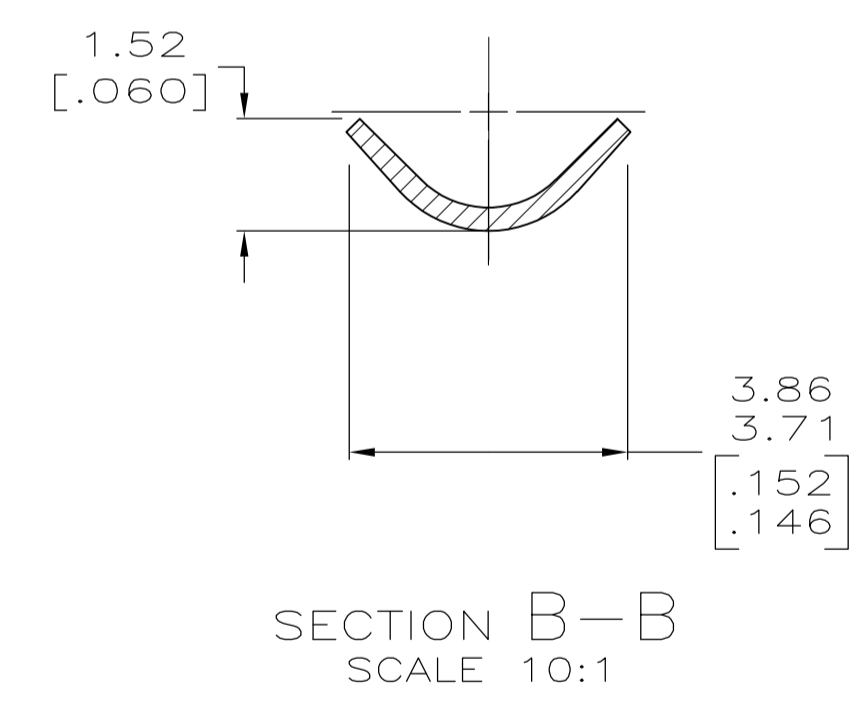
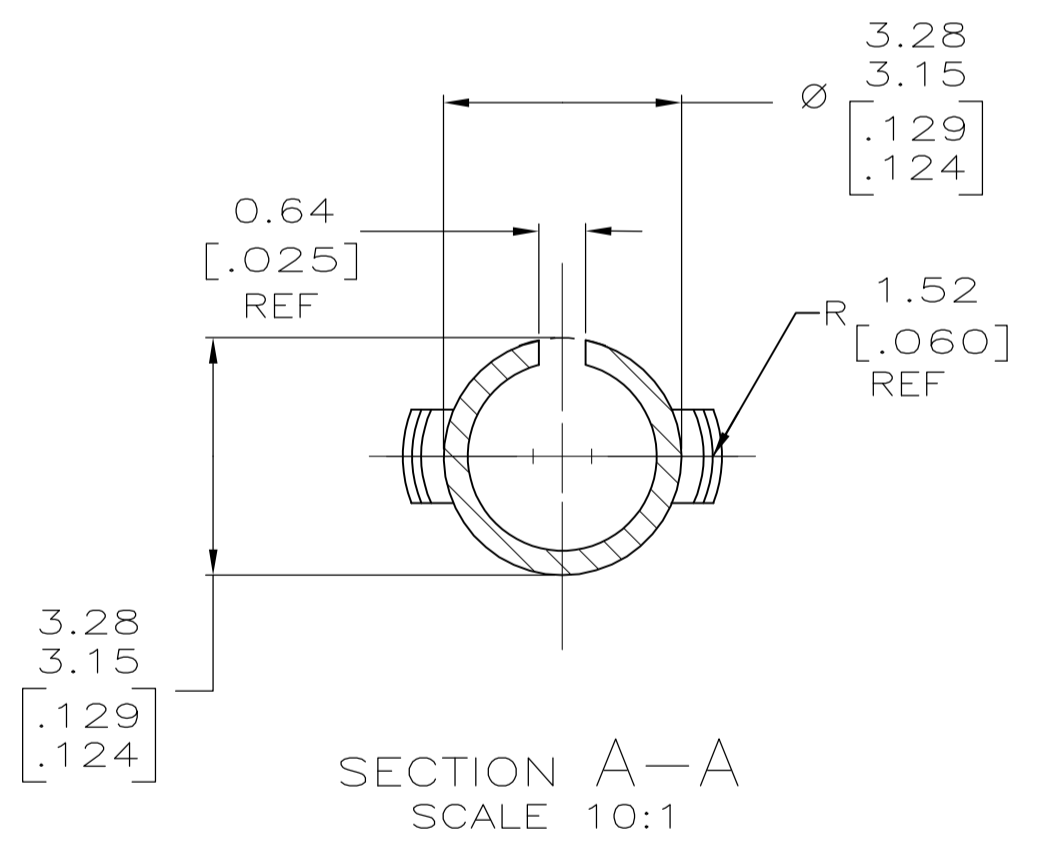
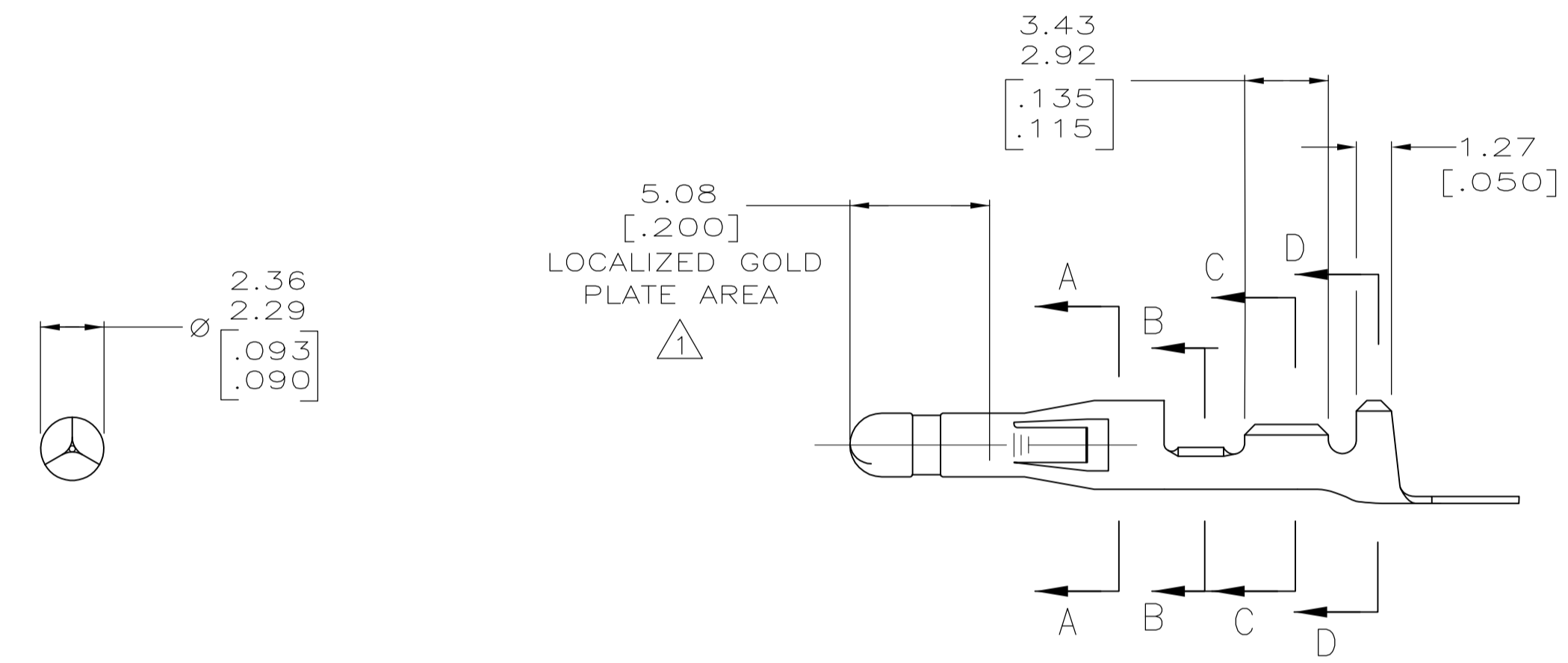
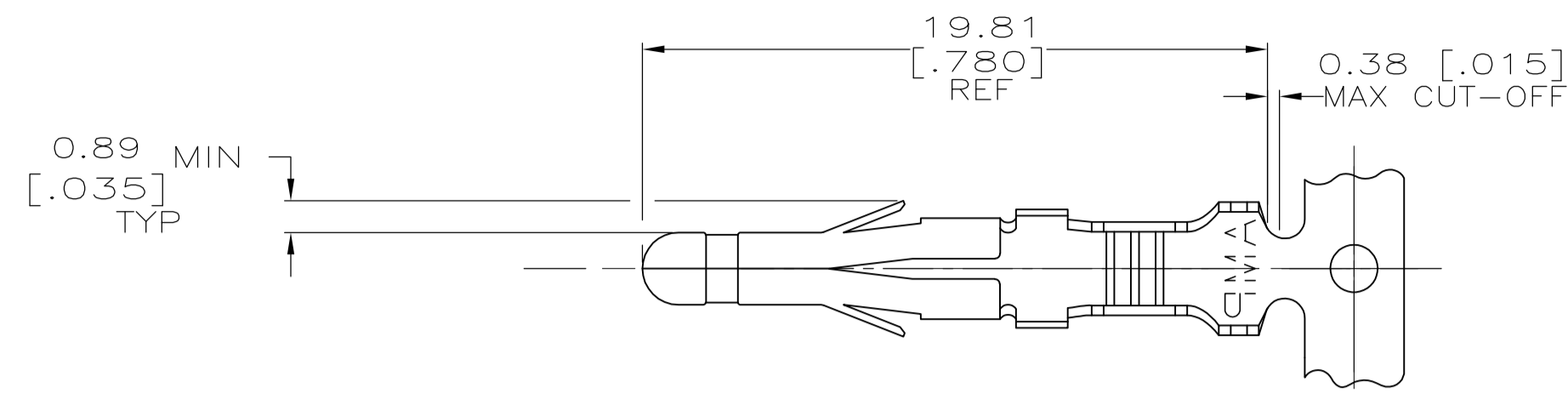


LOC		DIST		P		F		ZONE		LTR		REVISIONS		DATE	APPD	
CM	53												AD1	REV PER ECR-15-007412	06-20-15	SC 02



- 1 NICKEL UNDER PLATE 0.00127 [0.000050] MIN THICK ON ENTIRE PART WITH 0.00076 [0.000030] MIN GOLD IN LOCALIZED PLATE AREA.
- 2 WIRE RANGE: 0.3 - 0.84mm<sup>2</sup> (24-18 AWG).
- 3 INSULATION RANGE: 2.79 [.110] MAX. DIA.
- 4 DIMENSIONS IN BRACKETS ARE IN INCHES.

**METRIC**

THIS DRAWING IS A CONTROLLED DOCUMENT FOR AMP INCORPORATED. IT IS SUBJECT TO CHANGE AND THE CONTROLLING ENGINEERING ORGANIZATION SHOULD BE CONTACTED FOR THE LATEST REVISION.

FINISH		MATERIAL		PART NO	
△		0.25 [.010] BRASS		350418-5	
PRE-TIN		0.25 [.010] BRASS		350418-1	

DO NOT SCALE PRINT. UNLESS SPECIFIED DIMENSIONS IN mm [INCHES] TOLERANCES ON:		DR 9-3-92 N. GANNON		<b>AMP</b> AMP Incorporated Harrisburg, PA 17105-3608 NAME .093 PIN COMMERCIAL PIN AND SOCKET	
2 PLC DEC ± -		CHK 9-3-92 R. SWING			
3 PLC DEC ± 0.13 [.005]		APPD 9-8-92 C. CASH			
ANGLES ± -		APPD 9-8-92 C. CASH			
MATERIAL		PRODUCT SPEC		SEE TABLE	
FINISH		APPLICATION SPEC		SEE TABLE	
WEIGHT		-		-	

SIZE	CAGE CODE	DRAWING NO
D	00779	C-350418
SCALE	SHEET	
5:1	10F 1	

# Mouser Electronics

Authorized Distributor

Click to View Pricing, Inventory, Delivery & Lifecycle Information:

[TE Connectivity:](#)

[350418-1](#)