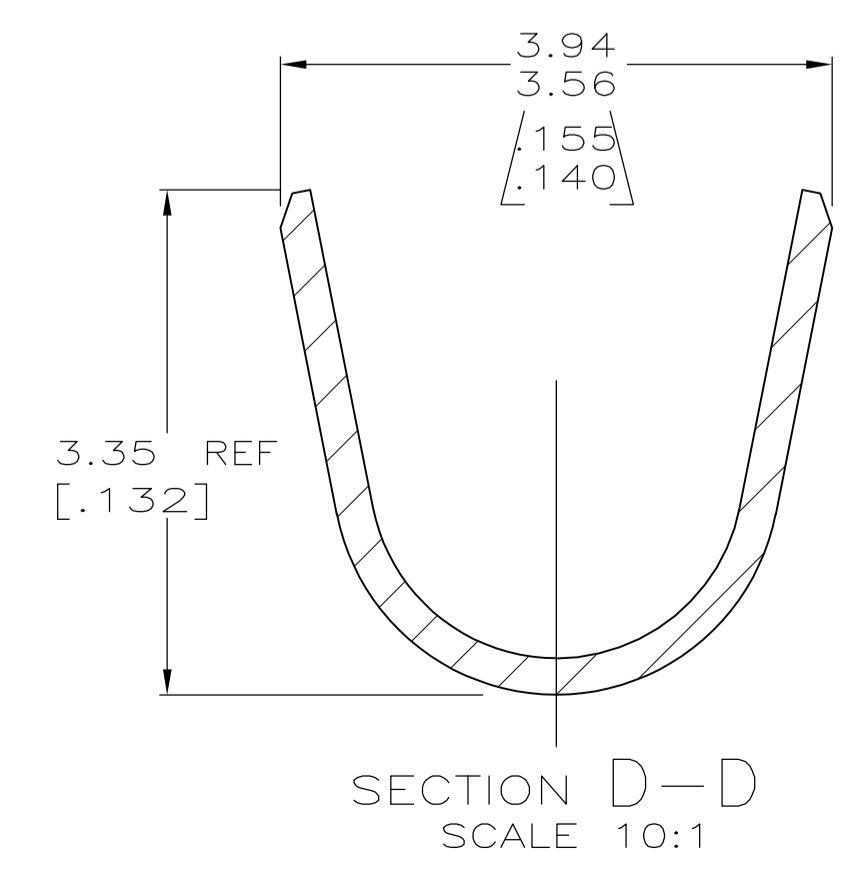
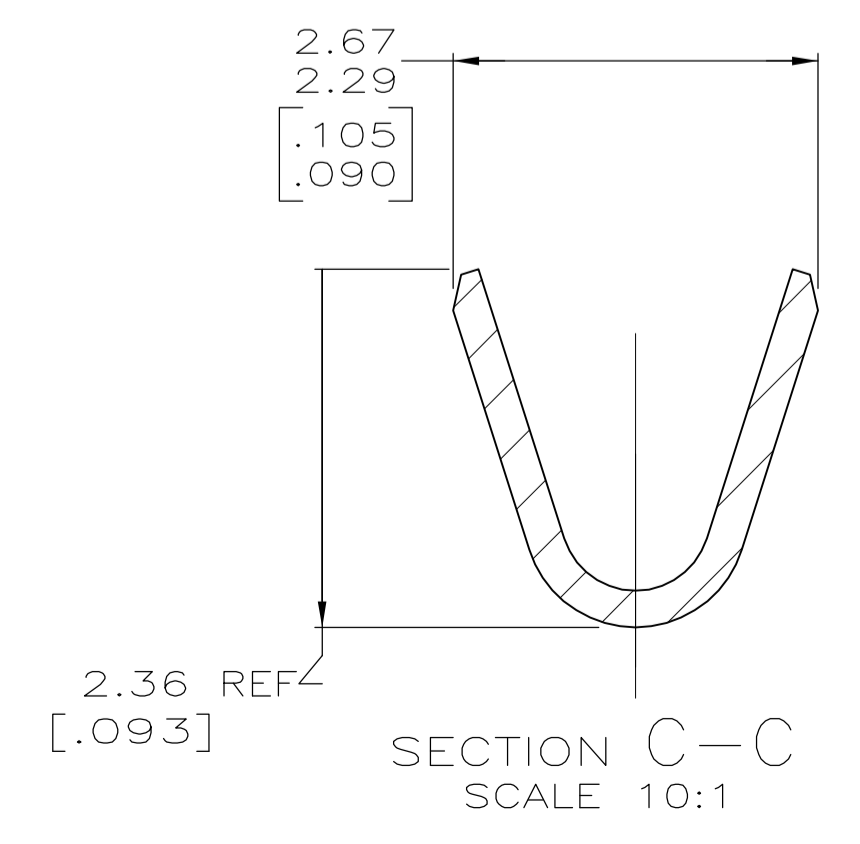
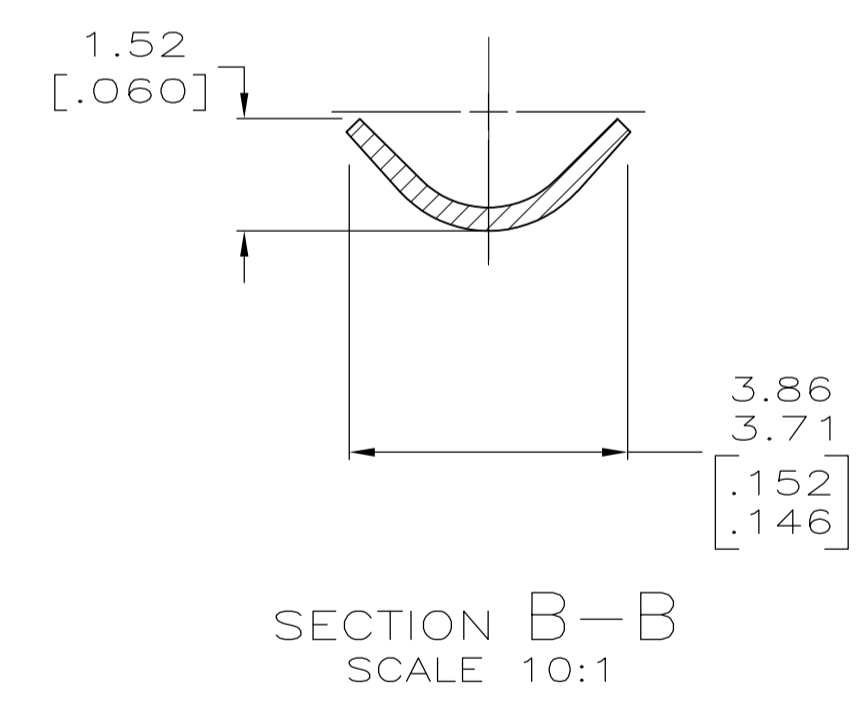
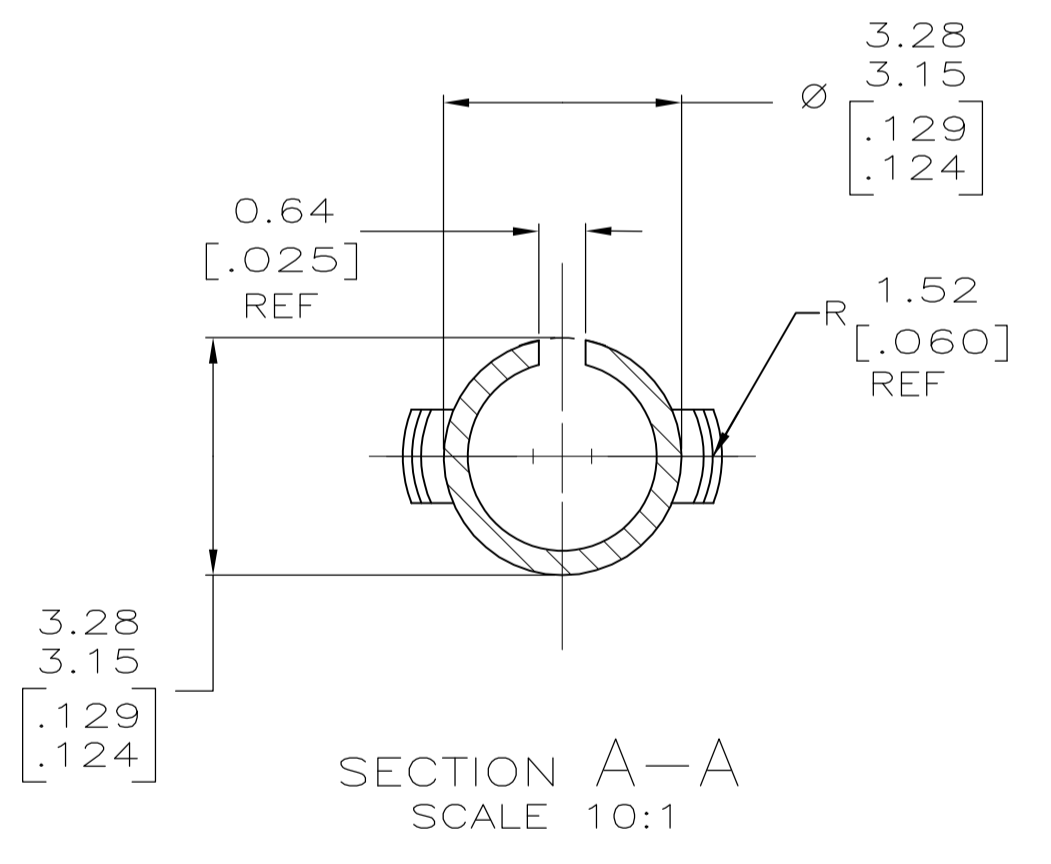
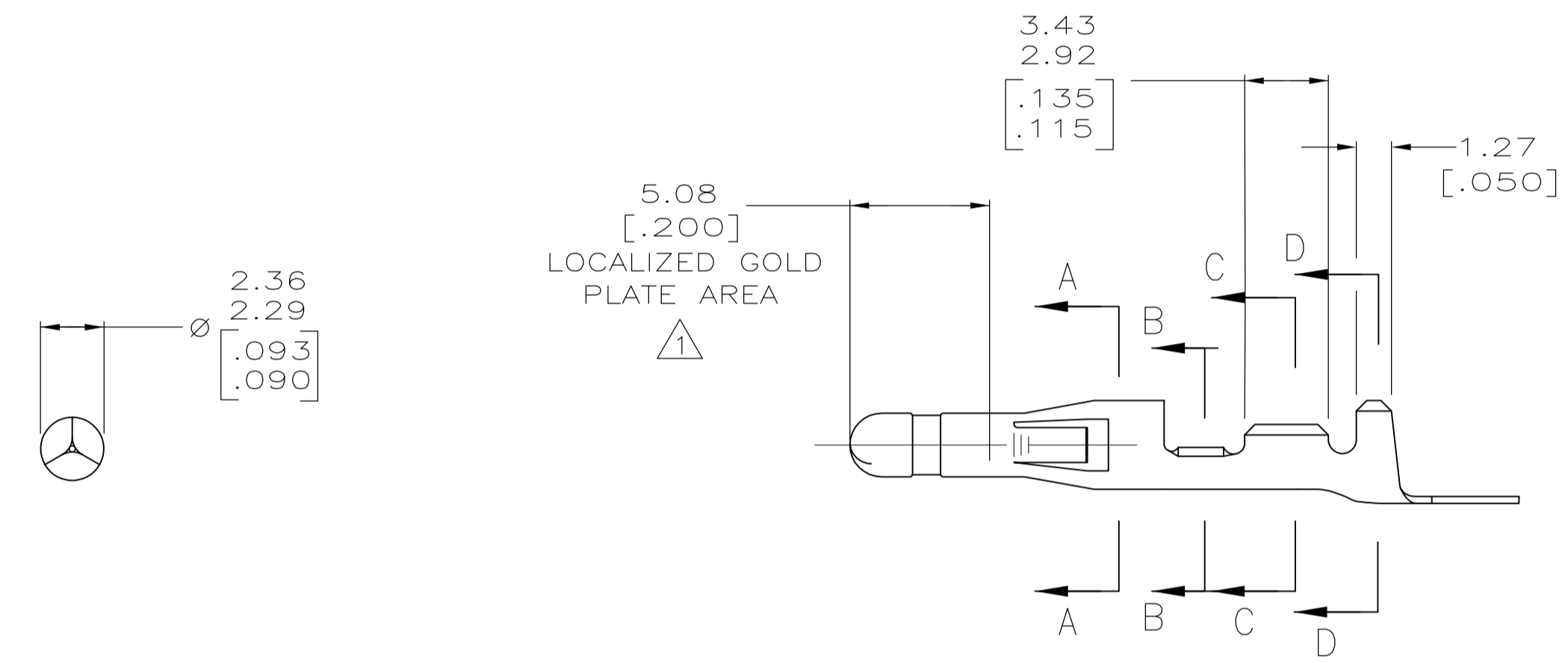
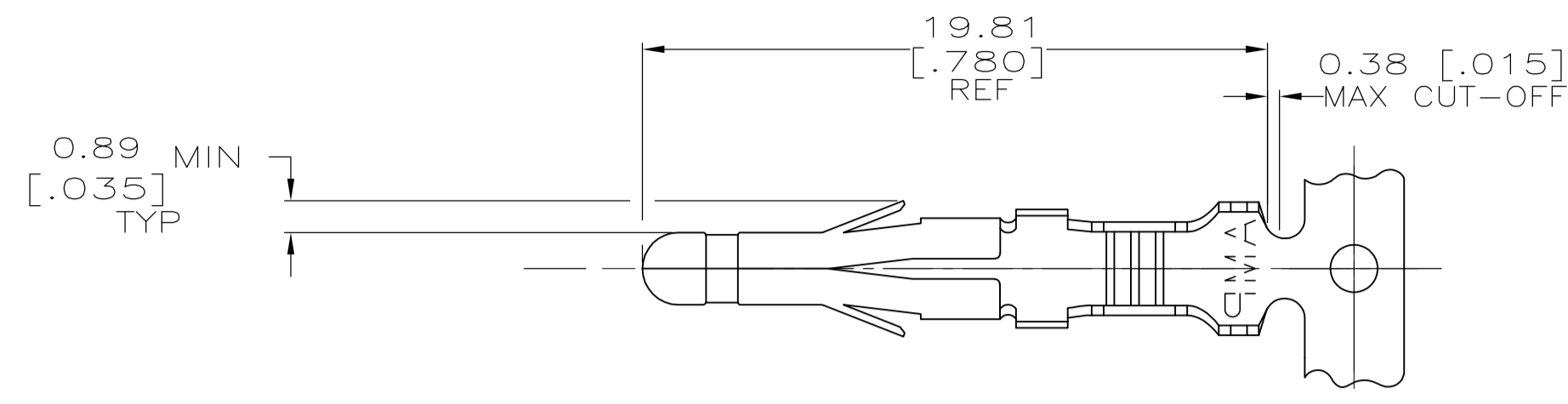


LOC		DIST		P		F		ZONE		LTR		REVISIONS		DATE	APPD	
CM	53												AD1	REV PER ECR-15-007412	06-20-15	SC 02



- 1 NICKEL UNDER PLATE 0.00127 [0.000050] MIN THICK ON ENTIRE PART WITH 0.00076 [0.000030] MIN GOLD IN LOCALIZED PLATE AREA.
- 2 WIRE RANGE: 0.3 - 0.84mm² (24-18 AWG).
- 3 INSULATION RANGE: 2.79 [.110] MAX. DIA.
- 4 DIMENSIONS IN BRACKETS ARE IN INCHES.

METRIC

THIS DRAWING IS A CONTROLLED DOCUMENT FOR AMP INCORPORATED. IT IS SUBJECT TO CHANGE AND THE CONTROLLING ENGINEERING ORGANIZATION SHOULD BE CONTACTED FOR THE LATEST REVISION.

		△	0.25 [.010] BRASS	350418-5
		PRE-TIN	0.25 [.010] BRASS	350418-1
		FINISH	MATERIAL	PART NO
DO NOT SCALE PRINT. UNLESS SPECIFIED DIMENSIONS IN mm [INCHES] TOLERANCES ON:	DR 9-3-92 N. GANNON	AMP AMP Incorporated Harrisburg, PA 17105-3608		
2 PLC DEC ± -	CHK 9-3-92 R. SWING			
3 PLC DEC ± 0.13 [.005]	APPD 9-8-92 C. CASH	NAME		
ANGLES ± -	APPD 9-8-92 C. CASH	.093 PIN		
MATERIAL	PRODUCT SPEC	COMMERCIAL PIN AND SOCKET		
SEE TABLE	APPLICATION SPEC	SIZE	CAGE CODE	DRAWING NO
SEE TABLE	WEIGHT	D	00779	C-350418
		SCALE	5:1	SHEET 10F 1

Mouser Electronics

Authorized Distributor

Click to View Pricing, Inventory, Delivery & Lifecycle Information:

[TE Connectivity:](#)

[350418-5](#)