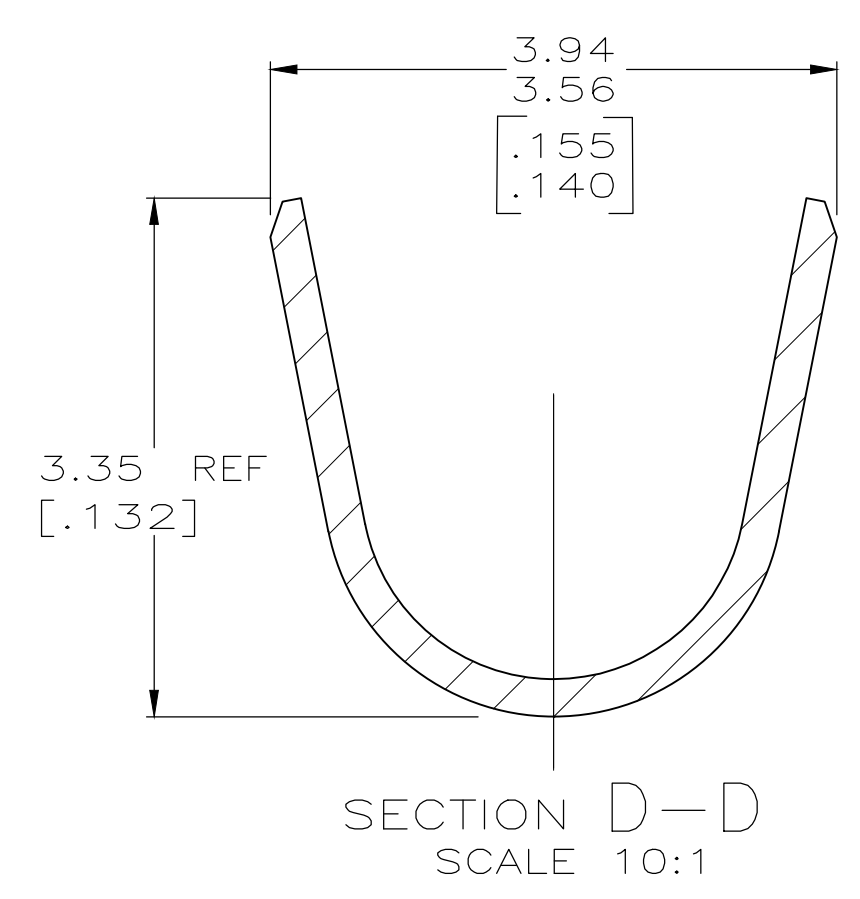
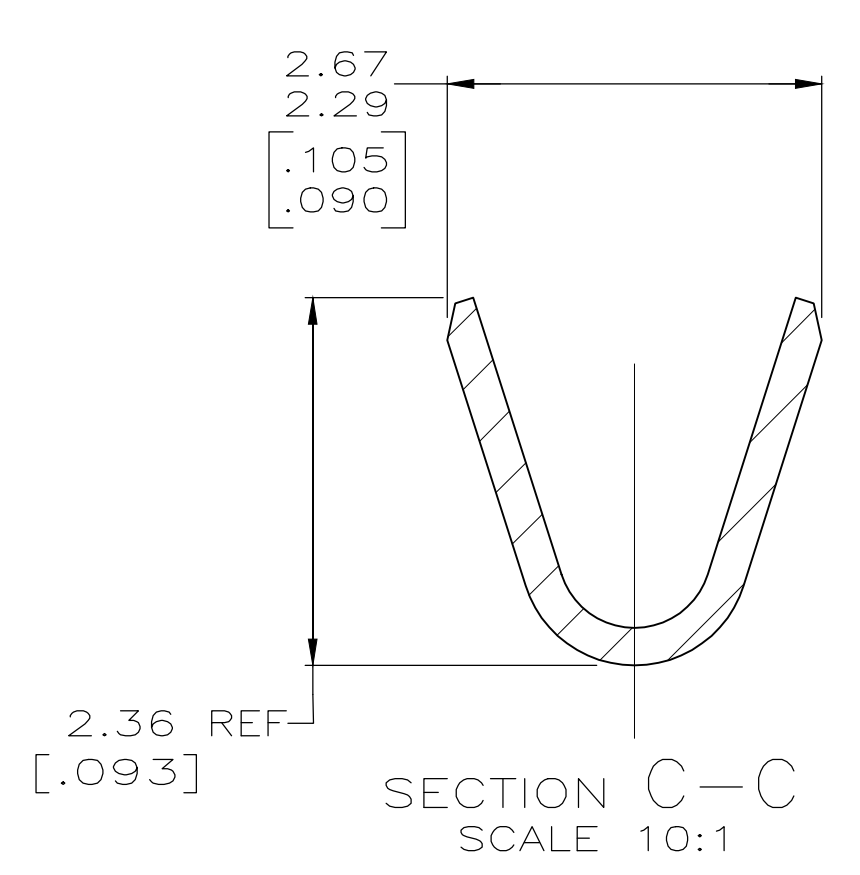
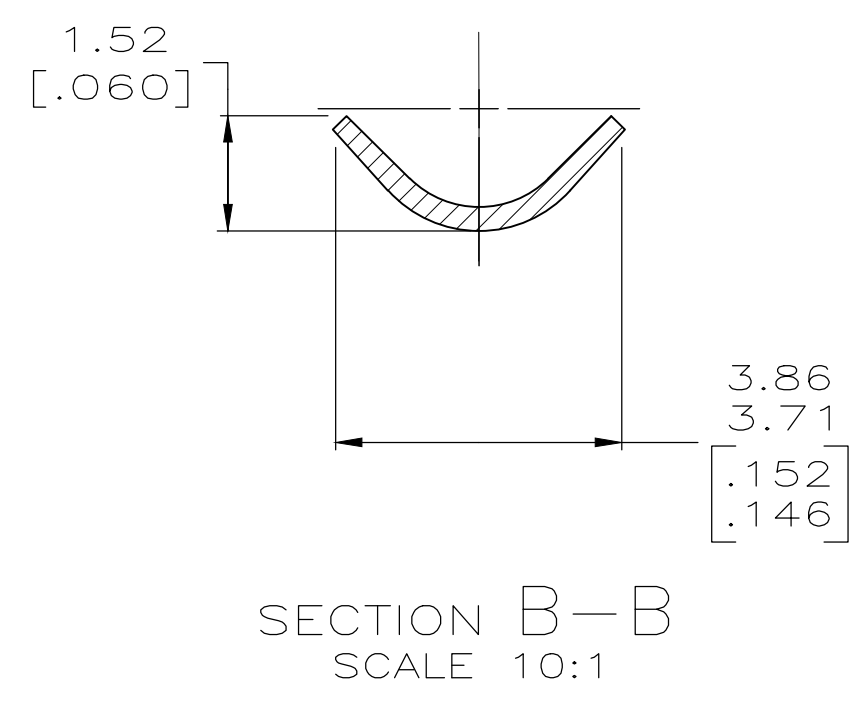
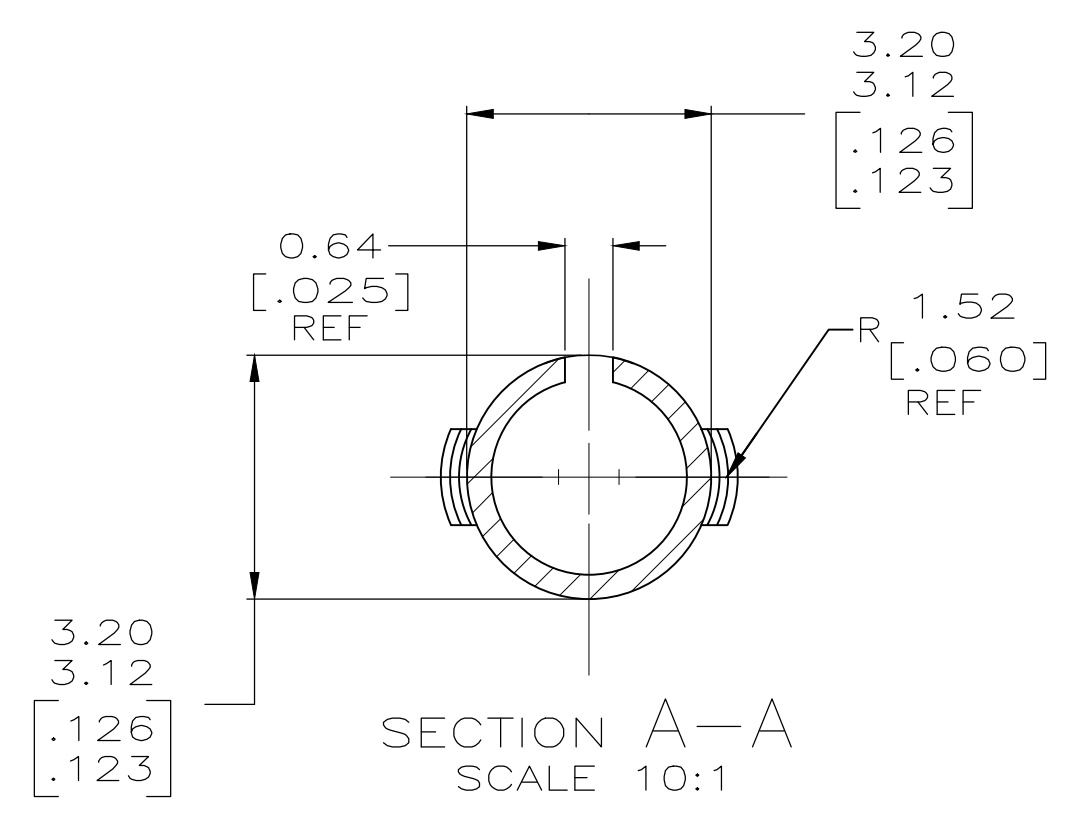
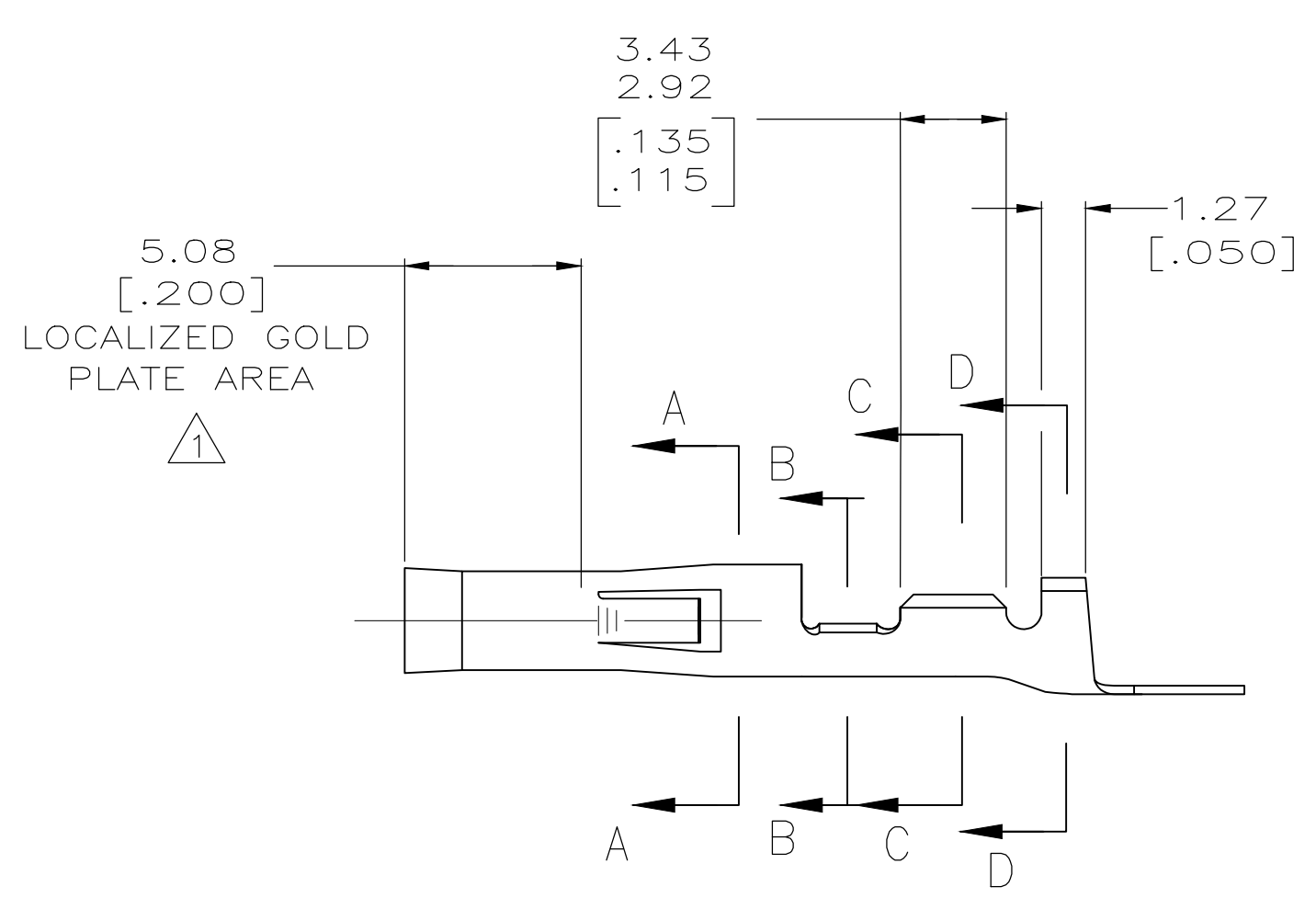
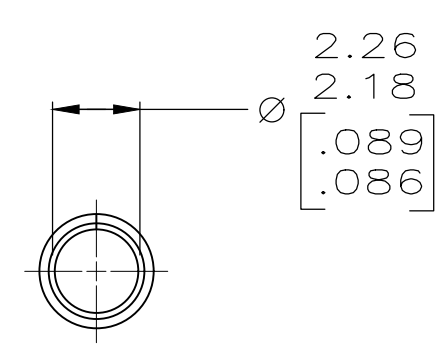


- ① 0.000762 [.000030] MIN GOLD IN LOCALIZED GOLD PLATE AREA OVER 0.00127 [.000050] MIN NICKEL.
- 2 WIRE RANGE: 0.3 - 0.84mm² (24-18 AWG).
- 3 INSULATION RANGE: 2.79 [.110] MAX. DIA.
- 4 DIMENSIONS IN BRACKETS ARE IN INCHES.
- ⑤ 0.00127 [.000050] MIN NICKEL



METRIC

⑤	0.25 [.010] PH BRZ	350417-8
GOLD STRIPE	0.25 [.010] BRASS	350417-5
①	0.25 [.010] BRASS	350417-3
PRE-TIN	0.25 [.010] BRASS	350417-1
FINISH	MATERIAL	PART NO

THIS DRAWING IS A CONTROLLED DOCUMENT.

DIMENSIONS: mm [INCHES]	TOLERANCES UNLESS OTHERWISE SPECIFIED:	DIN K. WHITAKER 22NOV2005	CHK D. COLEY 22NOV2005	NAME D. COLEY 22NOV2005	STE TE Connectivity
0 PLC ± -	1 PLC ± -	2 PLC ± -	3 PLC ± 0.13 [.005]	4 PLC ANGLES ± ± 0°30'	PRODUCT SPEC 108-1038
MATERIAL SEE TABLE	FINISH SEE TABLE	WEIGHT -	SIZE A1	CAGE CODE 00779	DRAWING NO C=350417
CUSTOMER DRAWING				SCALE N/A	SHEET 1 OF 1

RESTRICTED TO AP3

Mouser Electronics

Authorized Distributor

Click to View Pricing, Inventory, Delivery & Lifecycle Information:

[TE Connectivity:](#)

[350417-3](#)