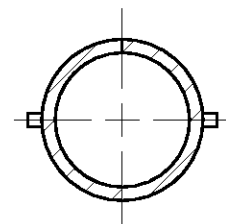
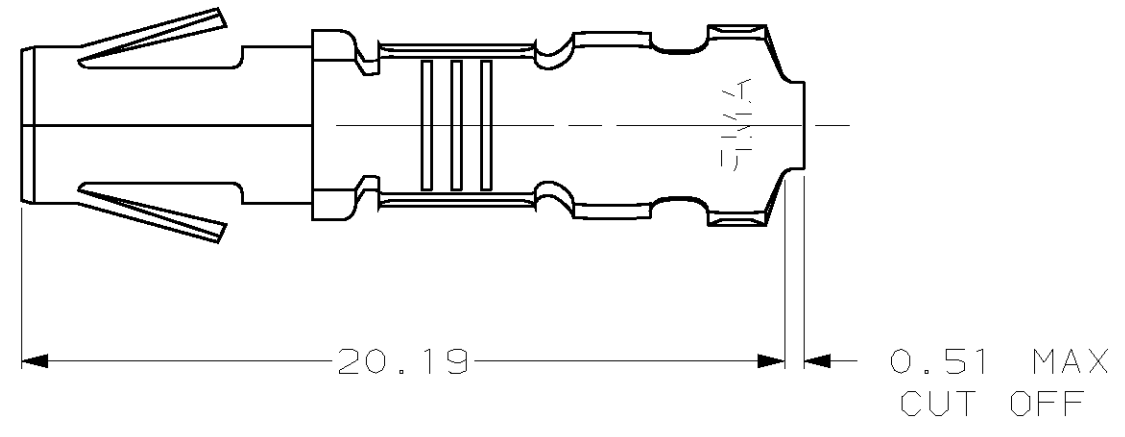


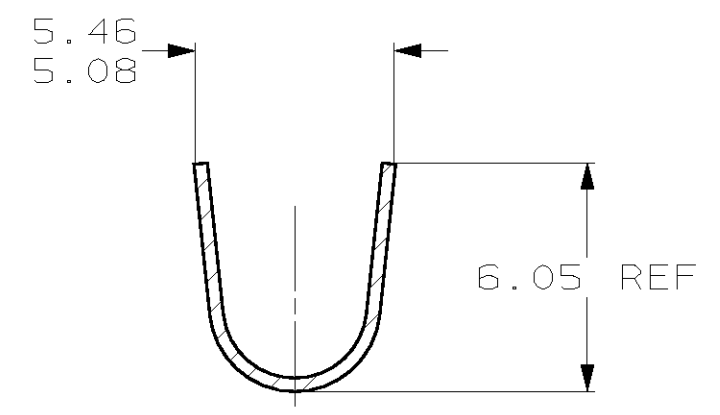
THIS DRAWING IS UNPUBLISHED. RELEASED FOR PUBLICATION .19  
 (C) COPYRIGHT 19 BY AMP INCORPORATED. ALL RIGHTS RESERVED.

LOC		DIST		REVISIONS			
P	LTR	DESCRIPTION		DATE	DWN	APVD	
CM	53	C		REV & REDWN PER EC 0G1B-0217-98	29OCT98	TB	RS

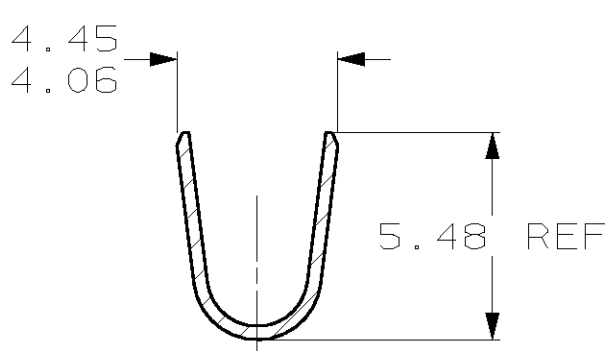
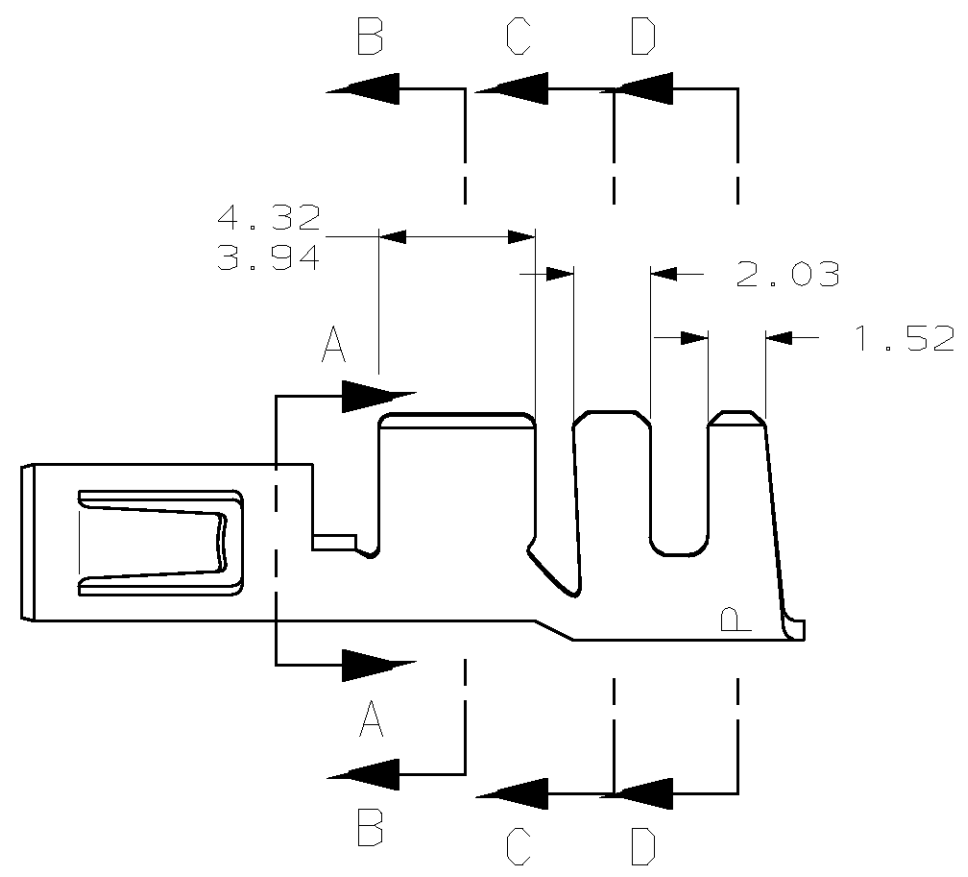
1. WIRE RANGE: 2 - 6 mm<sup>2</sup> (14 - 10 AWG)
2. INSULATION RANGE: 2.54 - 4.57
3. FRICTION FIT ON A 3.56 DIAMETER PIN.



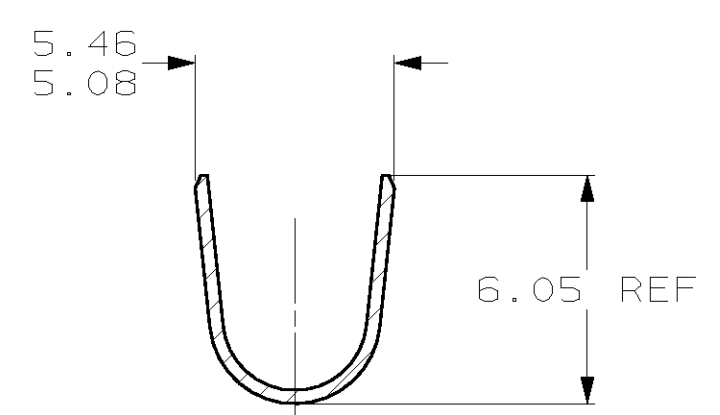
SECTION A-A



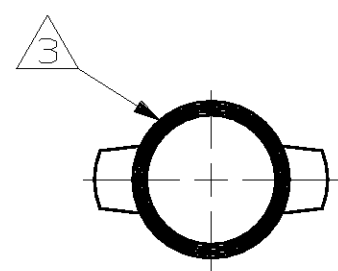
SECTION C-C



SECTION B-B



SECTION D-D



PRE TIN	0.36 PH BRZ	350390-2
PRE TIN	0.35 BRASS	350390-1
FINISH	MATERIAL	PART NUMBER

MM	IN	MM	IN	MM	IN	MM	IN
1.52	.060	4.06	.160	5.46	.215	-	-
0.51	.020	3.94	.155	5.08	.200	-	-
0.36	.014	3.56	.140	4.57	.180	20.19	.795
0.35	.014	2.54	.100	4.45	.175	6.05	.238
0.13	.005	2.03	.080	4.32	.170	5.48	.216
MM	IN	MM	IN	MM	IN	MM	IN

CONVERSION TABLE

**METRIC**

THIS DRAWING IS A CONTROLLED DOCUMENT.

DWN	T. BECK	29OCT1998
CHK	R. SWING	29OCT1998
APVD	C. MARTIN	16NOV1998

AMP Incorporated  
Harrisburg, PA 17105-3608

**AMP**

SOCKET, LOOSE PIECE,  
.140 PIN & SOCKET CONNECTOR

SIZE	A2	CAGE CODE	00779	DRAWING NO	C-350390	RESTRICTED TO	-	
WEIGHT	-	CUSTOMER DRAWING	SCALE	5:1	SHEET	1 OF 1	REV	C

350390

# Mouser Electronics

Authorized Distributor

Click to View Pricing, Inventory, Delivery & Lifecycle Information:

[TE Connectivity:](#)

[350390-2](#)