

NOTES

- ALL DIMENSIONS ARE IN $\frac{\text{INCHES}}{[\text{MILLIMETERS}]}$
- DIMENSIONS APPEARING IN TABLE ARE AS FOLLOWS:
 - a - AS SUPPLIED
 - b - AFTER UNRESTRICTED RECOVERY
- COATING (ADHESIVE): IS OPTIONAL AS SUPPLIED DIMENSIONS APPEARING IN TABLE ARE FOR UNCOATED PARTS. WHEN COATING IS ADDED, ENTRY DIAMETER WILL BE REDUCED BY .06 MAX.
- MOLDING PORTS ARE OPTIONAL. WHEN -00 MODIFICATION NUMBER IS SPECIFIED MOLDING PORTS WILL BE LOCATED AS SHOWN.
- WEIGHT SHOWN IN TABLE OF DIMENSIONS IS BASED ON POLYOLEFIN PART.
- ORDERING INFORMATION

BASE PART NUMBER 341A015 -XX -XX /XXX
 MATERIAL DASH NUMBER _____
 -3 POLYOLEFIN, SEMI RIGID (RT-301)
 -4 POLYOLEFIN, FLEXIBLE (RT-1304)
 -5 ELASTOMER, FLEXIBLE (RT-501)
 -6 SILICONE (RT-602)
 -12 FLUORO ELASTOMER, FLEXIBLE (RT-1312)
 -25 ELASTOMER, FLUID RESISTANT (RT-1325)
 -100 POLYOLEFIN, SEMI-FLEXIBLE ZEROHAL (RT-1323)
 MODIFICATION NUMBER _____
 ADHESIVE SLASH NUMBER _____
 (SEE COMPATIBILITY CHART BELOW)

| REVISIONS | | |
|-----------|---------------|------------|
| LTR | DESCRIPTION | DATE |
| G | ECO-08-031356 | 12/22/2008 |

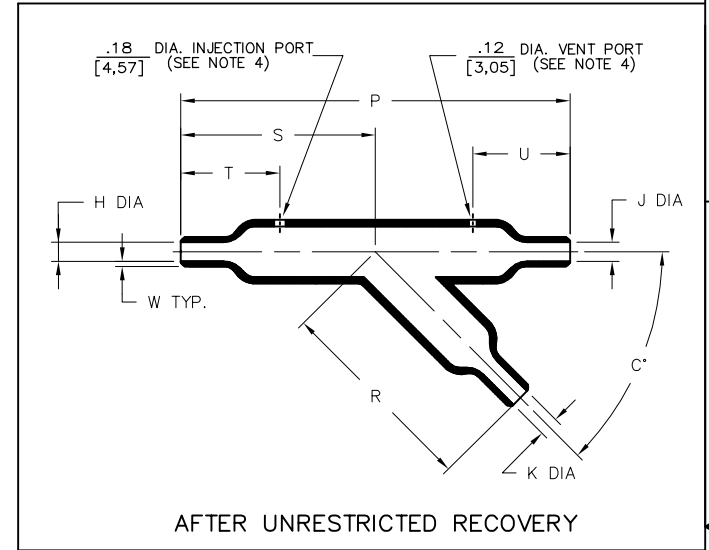
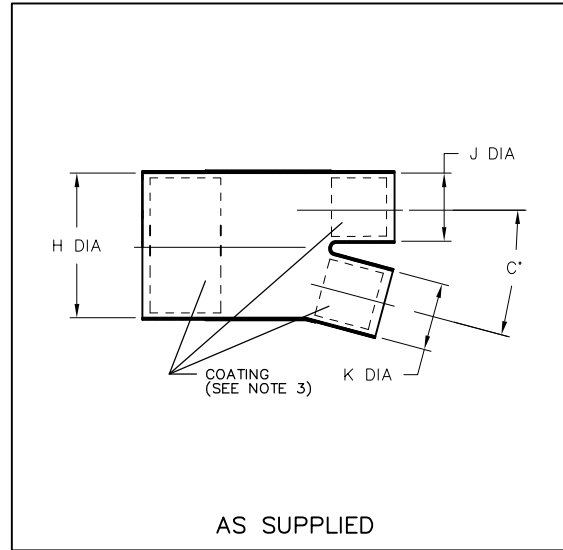


TABLE OF DIMENSIONS

| PART NUMBER | H | | J & K | | P | R | S | T | U | W | C* | | WEIGHT REF |
|-------------|----------------|---------------|----------------|---------------|-----------------|----------------|----------------|----------------|----------------|--------------|------|-----|-----------------|
| | MIN | MAX | MIN | MAX | ±10% | ±10% | ±10% | ±10% | ±10% | ±20% | ±10° | ±5° | |
| | a | b | a | b | b | b | b | b | b | b | a | b | |
| 341A015 | 1.12 [28,4] | .53 [13,5] | 1.06 [26,9] | .53 [13,5] | 5.91 [150,1] | 3.16 [80,3] | 2.76 [70,1] | 1.53 [38,9] | 1.50 [38,1] | .10 [2,5] | 15° | 45° | .270 [122,5] |

COMPATIBILITY CHART

| MATERIAL DASH NO. | ADHESIVE (COATING) SLASH NO. | ADHESIVE (COATING) S NO. |
|-------------------|------------------------------|--------------------------|
| -3 | /42; /86 | S-1017; S-1048 |
| -4 | /42; /86 | S-1017; S-1048 |
| -5 | /42 | S-1017 |
| -6 | N/A | N/A |
| -12 | N/A | N/A |
| -25 | /42; /86 | S-1017; S-1048 |
| -100 | /86 | S-1048 |

If this document is printed it becomes uncontrolled. Check for the latest revision

CUSTOMER DRAWING

| | | | |
|--|-------------------|--------------------------|---|
| UNLESS OTHERWISE SPECIFIED DIMENSIONS ARE INCHES. METRIC DIMENSIONS ARE IN BRACKETS. DECIMAL TOLERANCES .XXX ± 0.005 [0.13 mm] .XX ± 0.01 [0.25 mm] .X ± 0.1 [0.50 mm] ANGLE TOLERANCE .X ± 1 DEG. TYCO ELECTRONICS RESERVES THE RIGHT TO AMEND THIS DRAWING AT ANY TIME. USERS SHOULD EVALUATE THE SUITABILITY OF THE PRODUCT FOR THEIR APPLICATION. © 2001-2008 Tyco Electronics Corporation. All rights reserved. | DRAWN YUNGUYEN | APPROVED JKUSTER | Raychem Molded Parts 305 Constitution Dr Menlo Park, CA 94025 |
| | RPN | | |
| THIRD ANGLE PROJECTION | SIZE B | CODE IDENT. NO. 06090 | DWG. NO. 341A015 |
| DO NOT SCALE THIS DRAWING | | SHEET 1 OF 1 | |

Mouser Electronics

Authorized Distributor

Click to View Pricing, Inventory, Delivery & Lifecycle Information:

[TE Connectivity:](#)

[823169N002](#)