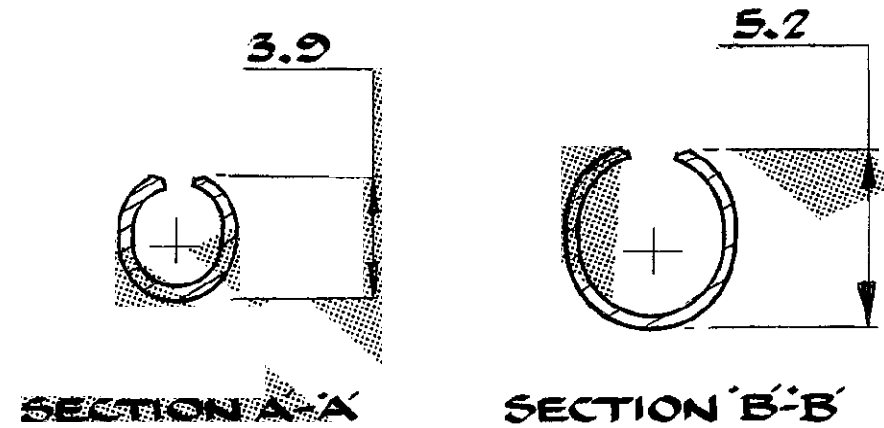
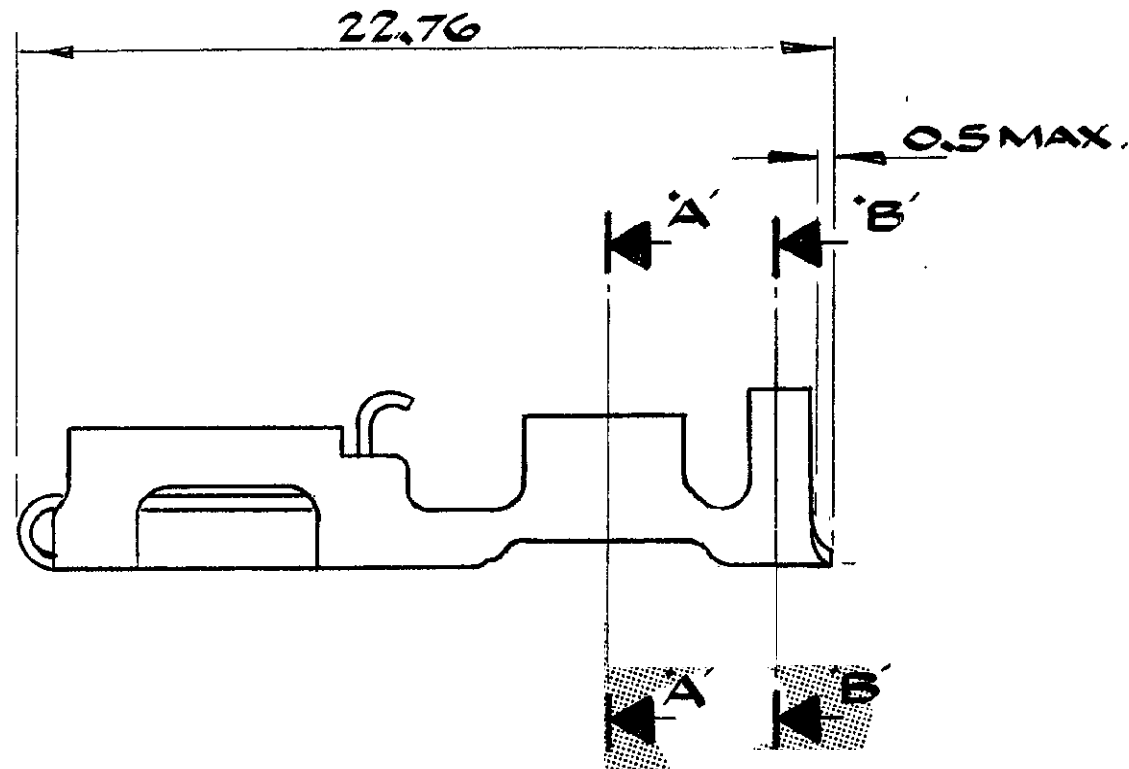


DO NOT SCALE

DIMENSIONS IN m.m.



| | | | | |
|-----|---------------------------|-----------|-----|------|
| LTR | DESCRIPTION | DATE | DWN | APVD |
| A3 | REVISED PER ECR-15-007886 | 17JUN2015 | NK | GH |



| | | | | |
|---------------------|--|-------------|-----------------------------|---------------------|
| OBSOLETE | | SILVER PLT. | BRASS | 341001-9 |
| OBSOLETE | | SILVER PLT. | PHOS. BRONZE | 341001-8 |
| | | PRE-TIN | PHOS. BRONZE | 341001-7 |
| | | PRE-TIN | BRASS | 341001-6 |
| OBSOLETE | | NONE | PHOS. BRONZE ^{LOW} | 341001-5 |
| | | ELECTRO-TIN | PHOS. BRONZE | 341001-4 |
| | | ELECTRO-TIN | BRASS | 341001-3 |
| OBSOLETE | | NONE | PHOS. BRONZE | 341001-2 |
| | | NONE | BRASS | 341001-1 |

| | | | |
|-----------------|--------|----------|-------------|
| OTHER TREATMENT | FINISH | MATERIAL | PART NUMBER |
|-----------------|--------|----------|-------------|

CUSTOMER DWG
FOR REFERENCE ONLY

THIS DRAWING IS UNCLASSIFIED AND RELEASED FOR PUBLICATION 10 OCT 1989

| | | | |
|--|-----------------|---------------------|-------------------------|
| TOLERANCES UNLESS OTHERWISE STATED:- DEC ± 0,5 ANGLES ± 1° | INS. DIA. RANGE | WIRE RANGE | SCALE |
| | 3,6-4,3 | 2,5-4,0mm | 5:1 |
| TE TE Connectivity | | | |
| NAME POSITIVE LOCK RECP PRE-FORMED LOOSE PIECE | | | |
| DR. D.R. TERRY | A3 | LOC. E | DWG. NO. C341001 |
| CHK. <i>[Signature]</i> | REV. A3 | SHEET 1 of 1 | |
| APP. <i>[Signature]</i> | 10 10 14 | | |

Mouser Electronics

Authorized Distributor

Click to View Pricing, Inventory, Delivery & Lifecycle Information:

[TE Connectivity:](#)

[341001-1](#)