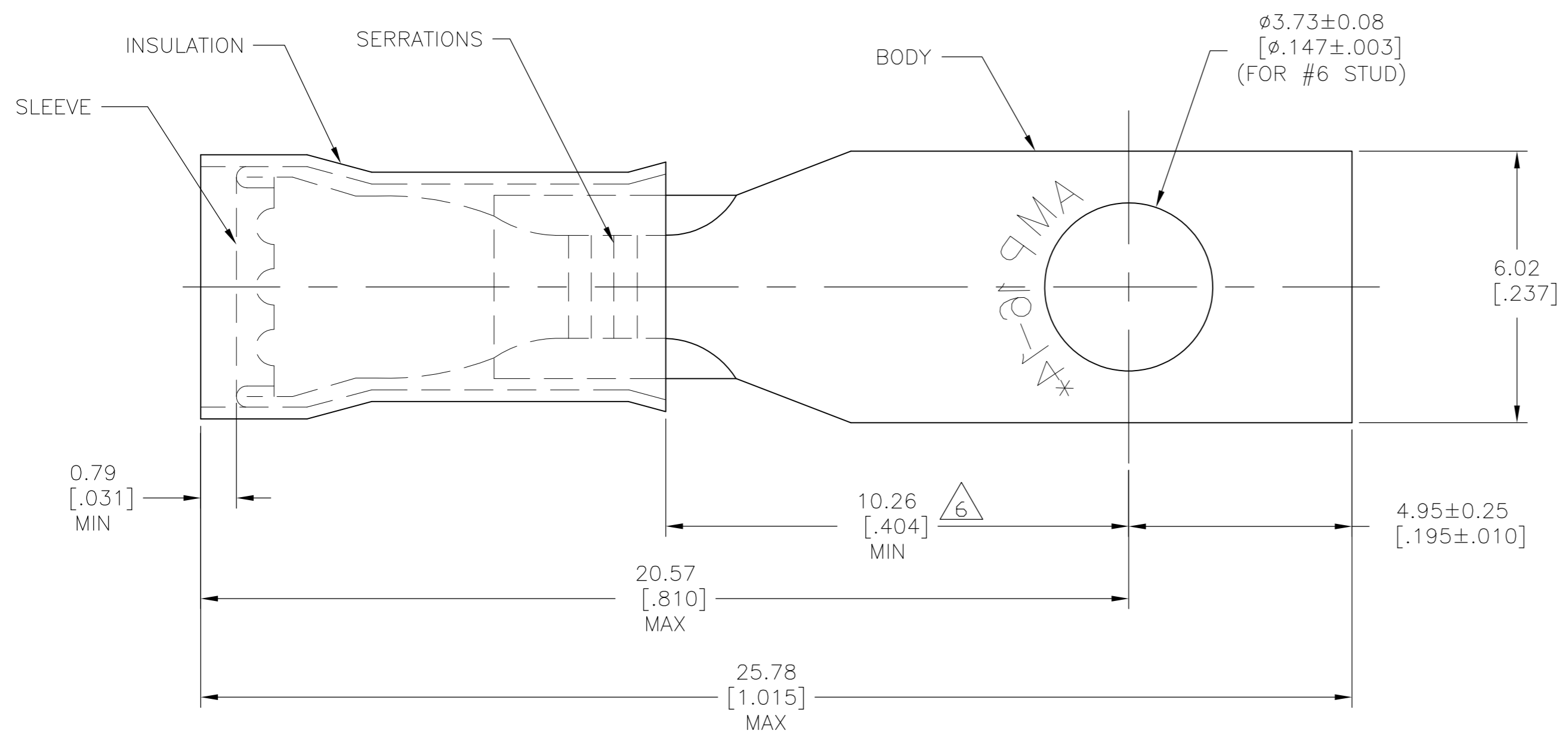


THIS DRAWING IS UNPUBLISHED. RELEASED FOR PUBLICATION
 © COPYRIGHT BY TYCO ELECTRONICS CORPORATION. ALL INTERNATIONAL RIGHTS RESERVED.

LOC		DIST		REVISIONS			
P	LTR	DESCRIPTION		DATE	DWN	APVD	
G	14	P2		REVISED PER ECR-09-026553	04DEC09	JR	TM



- 1 WIRE INSULATION DIAMETER: SEE TABLE
- 2 TONGUE MATERIAL THK: 0.79±.05 [.031±.002]
- 3 FINISH: 0.00254 [.000100] MIN THK TIN PLATE (ASTM-B545)
- 4 PVC - BLUE
- 5 NYLON ASTM-D4066 TYPE 1 - BLUE
- 6 APPLIES FROM THE METAL EDGE OF THE BARREL TO THE CENTER OF THE STUD
- 7 MEETS MS17143-14, CLASS 1 & 2

OBSOLETE	3	5	2.67-3.81 [.105-.150]	100	ON TAPE, SMALL BOX	2-327958-7
SUPERSEDED BY 2-327958-1	3	5	2.67-3.81 [.105-.150]	1000	ON TAPE, LARGE BOX	2-327958-6
SUPERSEDED BY 2-327958-4	3	5	2.67-3.81 [.105-.150]	5000	ON TAPE, REEL	2-327958-5
	3	5	2.67-3.81 [.105-.150]	-	LOOSE PIECE	7 2-327958-4
OBSOLETE	3	5	2.92-4.32 [.115-.170]	5000	ON TAPE, REEL	2-327958-2
	3	5	2.92-4.32 [.115-.170]	-	LOOSE PIECE	2-327958-1
SUPERSEDED BY 2-327958-1	3	4	2.92-4.32 [.115-.170]	-	LOOSE PIECE	327958

BODY FINISH	INSULATION MATERIAL	WIRE INSULATION DIAMETER	QTY	DESCRIPTION	PART NO
THIS DRAWING IS A CONTROLLED DOCUMENT.					
DIMENSIONS: mm [INCHES] TOLERANCES UNLESS OTHERWISE SPECIFIED: 0 PLC ± - 1 PLC ± - 2 PLC ± - 3 PLC ± 0.20 [.008] 4 PLC ± - ANGLES ± -			DWN RAGHAVENDRA 01SEP09 CHK JEFF RUTH 01SEP09 APVD TOM MICHELUTTI 01SEP09 PRODUCT SPEC APPLICATION SPEC WEIGHT - CUSTOMER DRAWING		
MATERIAL: BODY & SLEEVE COPPER (ASTM-B152)		FINISH: SEE TABLE		Tyco Electronics Corporation Harrisburg, PA 17105-3608 NAME: TERMINAL, PIDG, RECTANGULAR TONGUE, WIRE SIZE : 16-14 SIZE: A2 CAGE CODE: 00779 DRAWING NO: C=327958 RESTRICTED TO: - SCALE: 10:1 SHEET: 1 OF 1 REV: P2	

327958

A

Mouser Electronics

Authorized Distributor

Click to View Pricing, Inventory, Delivery & Lifecycle Information:

[TE Connectivity:](#)

[2-327958-4](#)