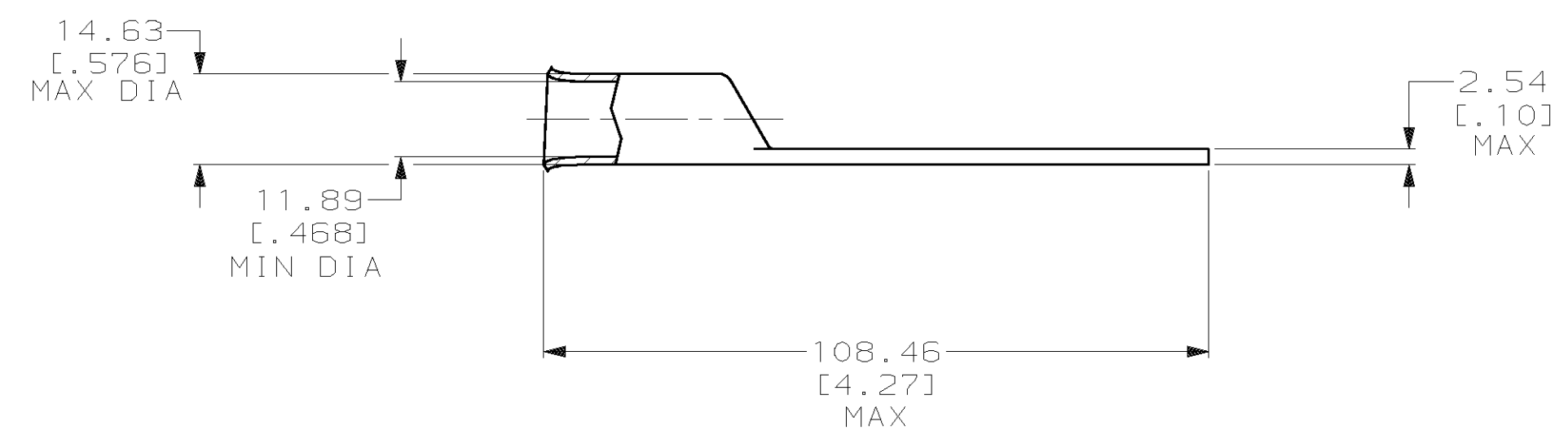
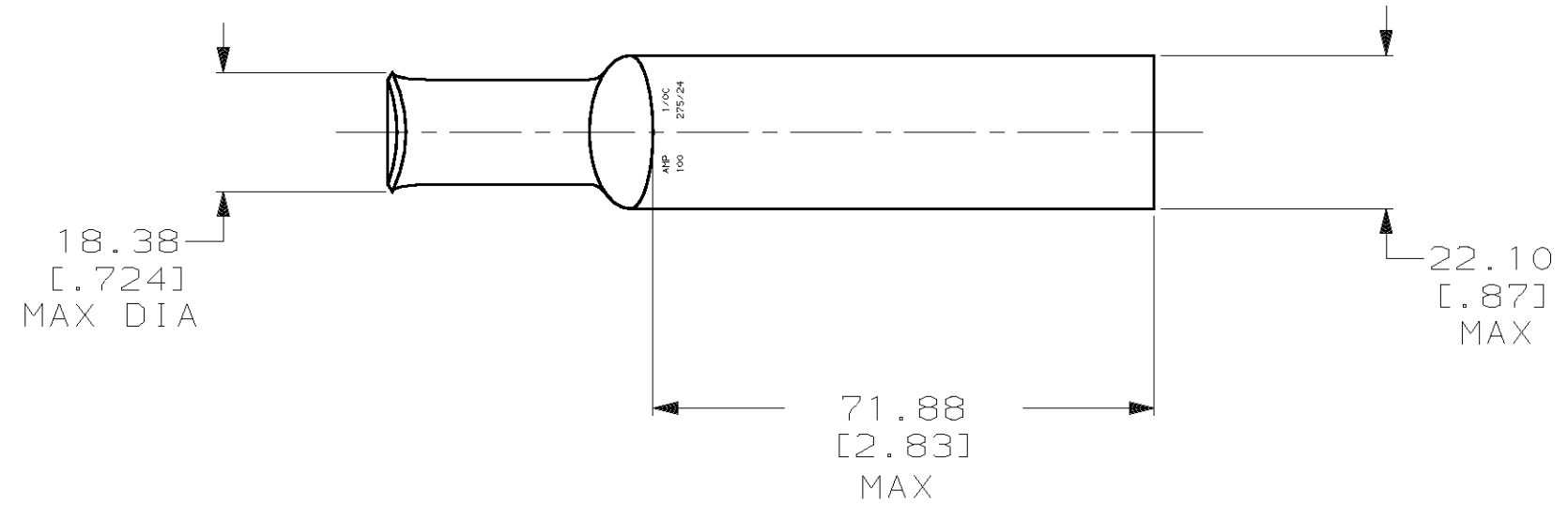


THIS DRAWING IS UNPUBLISHED. RELEASED FOR PUBLICATION ,19 .  
 © COPYRIGHT 19 BY AMP INCORPORATED. ALL INTERNATIONAL RIGHTS RESERVED.

REVISIONS									
LOC	DIST	P	F	ZONE	LTR	DESCRIPTION	DATE	APPD	
G	86					E REV PER 0G3A-0561-01	07OCT02	JR/MS	

- 1 CIRCULAR MIL RANGE: 83,700-119,500 CM
- 2 TIN PL 0.00381 [.000150] MIN THK PER MIL-T-10727



325318

325318  
PART NO

DO NOT SCALE PRINT. UNLESS SPECIFIED DIMENSIONS IN mm [INCHES] TOLERANCES ON : 2 PLC DEC ± 0.51 [.020] 3 PLC DEC ± - ANGLES ± -		DR 03/09/90 DK SCHRUM		AMP INCORPORATED Harrisburg, Pa. 17105	
MATERIAL ANNEALED COPPER ASTM B-75		CHK 31AUG94 MS FEHER			
FINISH 2		APPD 31AUG94 WJ VOCKROTH		NAME TERMINAL, AMPPOWER™ WIRE SIZE: 1/0 AWG	
APPLICATION SPEC -		APPD 31AUG94 TL SHUTTER		DRAWING NO 325318	
WEIGHT .096 LB		PRODUCT SPEC -		SCALE 1:1	
		APPLICATION SPEC -		CAGE CODE 00779	
				SHEET 1 OF 1	



# Mouser Electronics

Authorized Distributor

Click to View Pricing, Inventory, Delivery & Lifecycle Information:

[TE Connectivity:](#)

[325318](#)