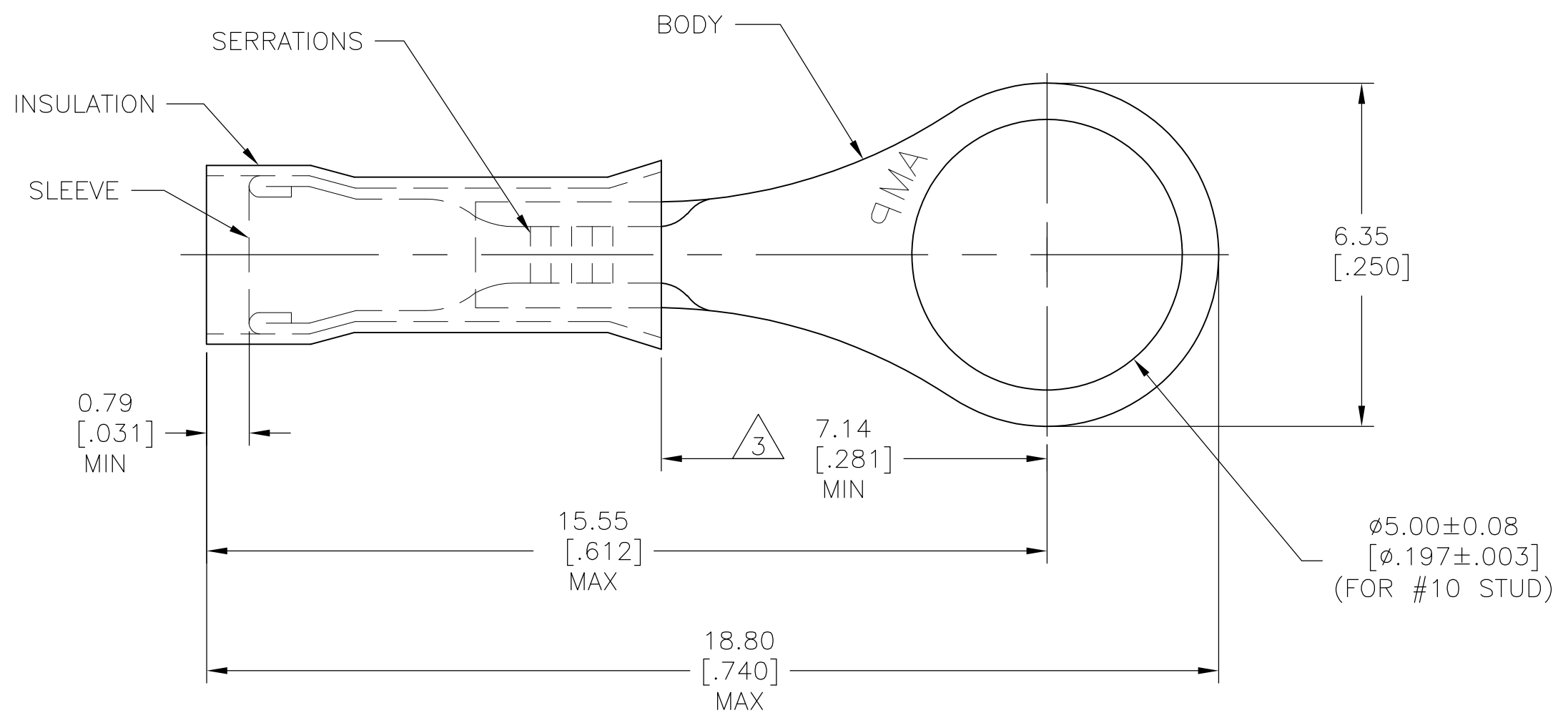


THIS DRAWING IS UNPUBLISHED. RELEASED FOR PUBLICATION
 © COPYRIGHT BY TYCO ELECTRONICS CORPORATION. ALL INTERNATIONAL RIGHTS RESERVED.

LOC	DIST	REVISIONS					
G	14	P	LTR	DESCRIPTION	DATE	DWN	APVD
		G2		REVISED PER ECR-09-026553	04DEC09	JR	TM



100	LOOSE PC, BOX	BODY & SLEEVE: COPPER (ASTM-B152) TIN PL (ASTM-B545)	8-324075-1
4000	324075 ON TAPE	INSULATION: NYLON COLOR: YELLOW (ASTM-D4066) TYPE 1	△4 2-324075-1
1	WIRE TERMINAL		△4 324075
QTY	DESCRIPTION	MATERIAL & FINISH	PART NO

- 1 FOR 1.27 [.050] TO 2.08 [.082] WIRE INSULATION DIA
- 2 TONGUE MATERIAL THK: 0.46±0.05 [.018±.002]
- △3 APPLIES FROM THE METAL EDGE OF THE BARREL TO THE CENTER OF THE STUD
- △4 MEETS MS25036-147, CLASS 2

THIS DRAWING IS A CONTROLLED DOCUMENT.		DWN RAGHAVENDRA 27AUG09	Tyco Electronics Corporation Harrisburg, PA 17105-3608	
DIMENSIONS: mm [INCHES]		CHK JEFF RUTH 27AUG09	NAME	
TOLERANCES UNLESS OTHERWISE SPECIFIED:		APVD TOM MICHIELUTTI 27AUG09	WIRE TERMINAL PIDG - RING TONGUE WIRE SIZE: 26-22	
0 PLC ± -		PRODUCT SPEC	SIZE	CAGE CODE
1 PLC ± -		APPLICATION SPEC	A3	00779
2 PLC ± -		WEIGHT	DRAWING NO C-324075	
3 PLC ± 0.20 [.008]		RESTRICTED TO	-	
4 PLC ± -		CUSTOMER DRAWING	SCALE 10:1	SHEET 1 OF 1
ANGLES ± 5°				REV G2
MATERIAL SEE TABLE	FINISH SEE TABLE			

Mouser Electronics

Authorized Distributor

Click to View Pricing, Inventory, Delivery & Lifecycle Information:

[TE Connectivity:](#)

[324075](#)