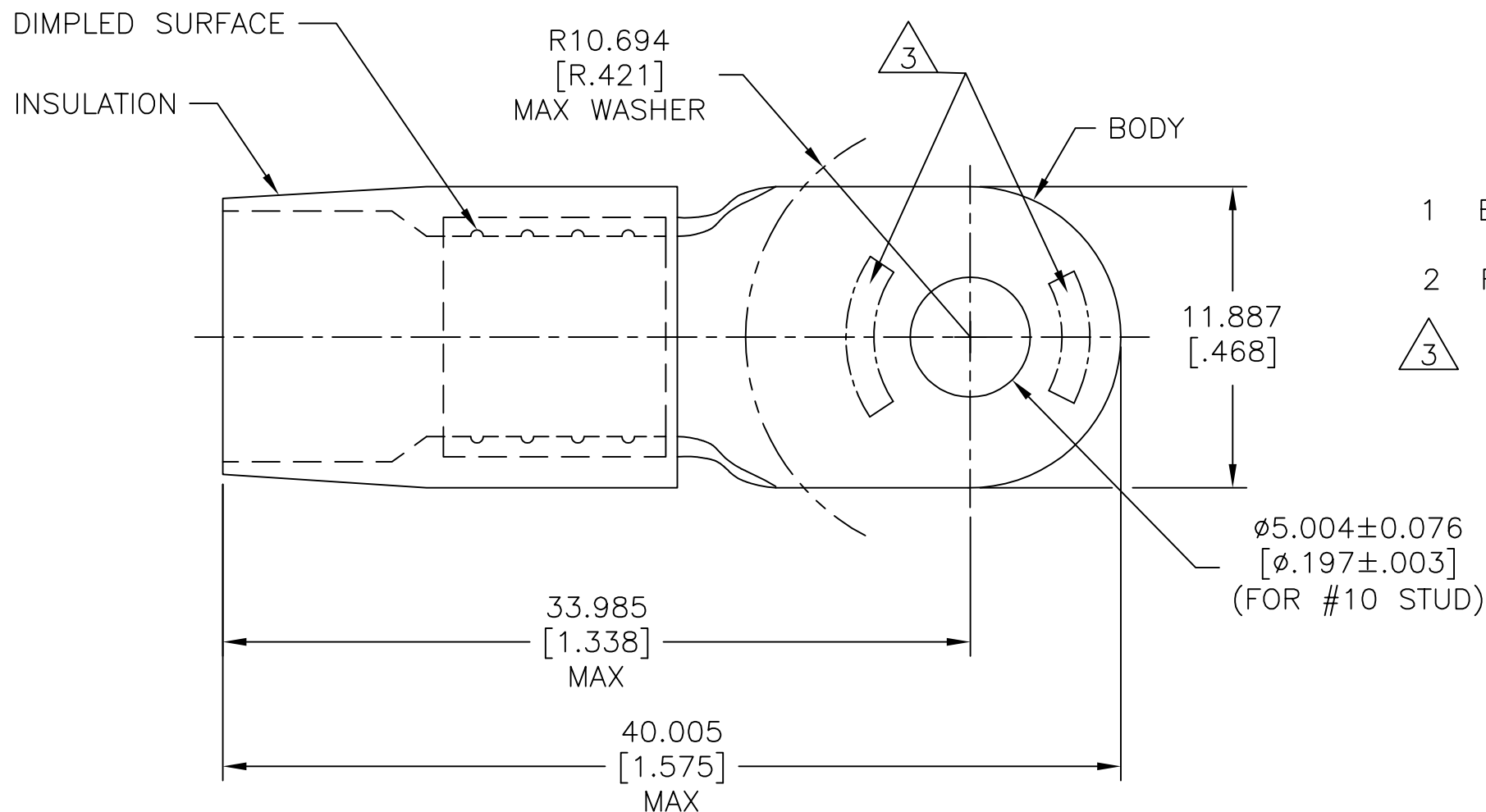


P	LTR	DESCRIPTION	DATE	DWN	APVD
	G1	REVISED PER ECO-11-004820	11MAR11	RK	HMR
	G2	REVISED PER ECO-17-013204	12SEP2017	RS	DR
	G3	REVISED PER ECO-17-014333	16OCT2017	RS	DR

AMP
WIRE RANGE

6 AWG
STRANDED



- 1 BODY MATERIAL THK 1.143±0.051[.045±.002]
- 2 FOR $\phi 7.976[\phi .314]$ MAX WIRE INS.
- $\triangle 3$ STAMP AMP 6* 23-30 APPROX AS SHOWN.

MS25036-119 CLASS 2	100	LOOSE PC	324046
MILITARY P/N AND CLASS	QTY	PACKAGE TYPE	PART NO

AMP INCORPORATED CUSTOMER SERVICE SYSTEMS		MAX RECOMMENDED OPERATING TEMPERATURE: 105°C[221°F]
FOR ADDITIONAL PRODUCT INFORMATION OR COPIES OF DRAWINGS AND TECHNICAL DOCUMENTS	PRODUCT INFORMATION CENTER 1-800-522-6752	VOLTAGE RATING: -
FOR APPLICATION TOOLING INFORMATION	TOOLING ASSISTANCE CENTER 1-800-722-1111	CIRCULAR MIL AREA: 10.5-16.8mm²[20,800-33,100] STRANDED
FOR ORDER ENTRY	1-800-526-5142	

THIS DRAWING IS A CONTROLLED DOCUMENT.	
DIMENSIONS: mm [INCHES]	TOLERANCES UNLESS OTHERWISE SPECIFIED:
	0 PLC ± -
	1 PLC ± -
	2 PLC ± -
	3 PLC ± 0.127[.005]
	4 PLC ± -
	ANGLES ± -
MATERIAL BODY: COPPER PER ASTM B-152 INSULATION: NYLON ASTM D4066 TYPE I	FINISH BODY: TIN PLATE PER ASTM B545 INSULATION: COLOUR-BLUE

DWN S.S. GOULDEN 6-18-93	TE Connectivity NAME TERMINAL, RING TONGUE, TERMINYL WIRE SIZE: 6 AWG			
CHK R. HERSEY 6-18-93				
APVD B. BARE 6-18-93				
PRODUCT SPEC SAE AS7928				
APPLICATION SPEC	SIZE A3	CAGE CODE 00779	DRAWING NO C-324046	RESTRICTED TO
WEIGHT -	CUSTOMER DRAWING			SCALE NTS
			SHEET 1 OF 1	REV G3

Mouser Electronics

Authorized Distributor

Click to View Pricing, Inventory, Delivery & Lifecycle Information:

[TE Connectivity:](#)

[324046](#)