

4

3

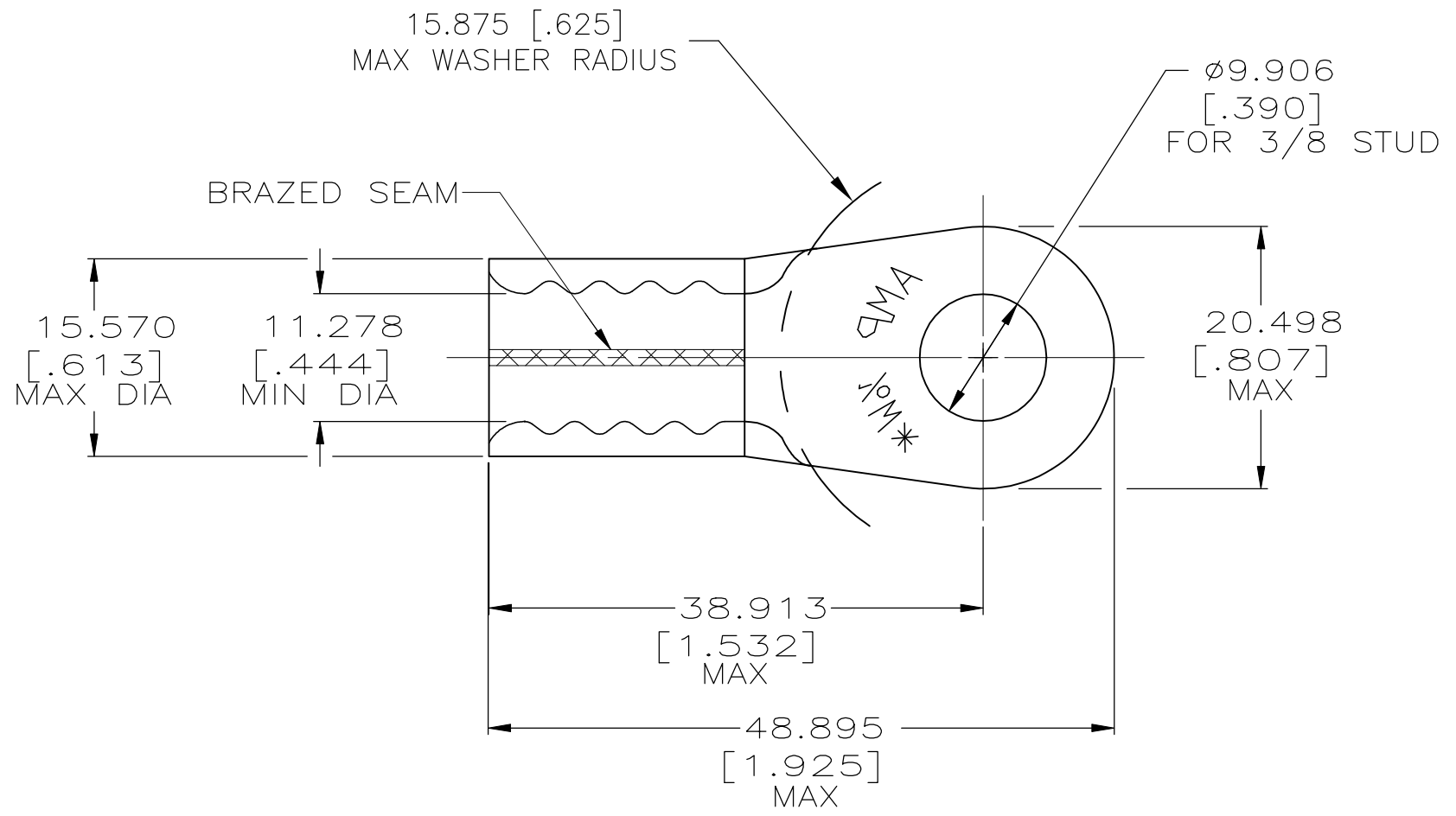
2

1

THIS DRAWING IS UNPUBLISHED. RELEASED FOR PUBLICATION
 © COPYRIGHT - By - ALL RIGHTS RESERVED.

REVISIONS				
P	LTR	DESCRIPTION	DATE	APVD
G3		REVISED PER ECO-17-004099	24AUG2017	BDA DR
G4		REVISED PER ECO-18-010020	26JUN2018	RS DR

AMP WIRE RANGE	E13288 Listed
1/0 AWG SOLID OR STRANDED	1/0 AWG STRANDED
LR7189 Certified	MILITARY P/N AND CLASS
1/0 AWG SOLID OR STRANDED	MS 20659-118 CLASS 2



TIN PL 0.00254[.000100] MIN EXT. THK PER ASTM B-545
 2 NOTE DELETED

	50	LOOSE PIECE	CLEANED	COPPER ASTM B-152 1.778±0.076[.070±.003] ANNEALED	2-321868-2
	50	LOOSE PIECE			321868
	QTY.	PACKAGE TYPE	FINISH	MATERIAL	PART NUMBER

MAX RECOMMENDED OPERATING TEMPERATURE: 170°[338°F]C	THIS DRAWING IS A CONTROLLED DOCUMENT.		DWN DK SCHRUM 8/30/91	TE Connectivity Ltd.
	VOLTAGE RATING: N/A	DIMENSIONS: INCHES	CHK RD HEIM 9/30/91	
CIRCULAR MIL AREA: 42.4-60.6mm²[83,700-119,500] SOLID OR STRANDED		TOLERANCES UNLESS OTHERWISE SPECIFIED: 0 PLC ± - 1 PLC ± - 2 PLC ± - 3 PLC ± 0.127[.005] 4 PLC ± - ANGLES ± -	APVD AJ KAUFMAN 9/30/91	NAME TERMINAL, RING TONGUE, SOLISTRAND WIRE SIZE 50.0mm² [1/0] AWG
			MATERIAL SEE TABLE	
			APPLICATION SPEC -	SIZE A3
			WEIGHT -	CAGE CODE 00779
			CUSTOMER DRAWING	DRAWING NO C-321868
			SCALE 2:1	RESTRICTED TO -
			SHEET 1 OF 1	REV G4

Mouser Electronics

Authorized Distributor

Click to View Pricing, Inventory, Delivery & Lifecycle Information:

[TE Connectivity:](#)

[2-321868-2](#)