

4

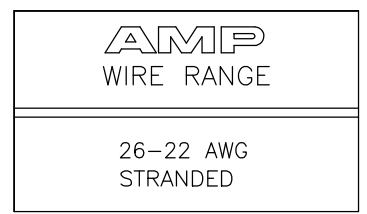
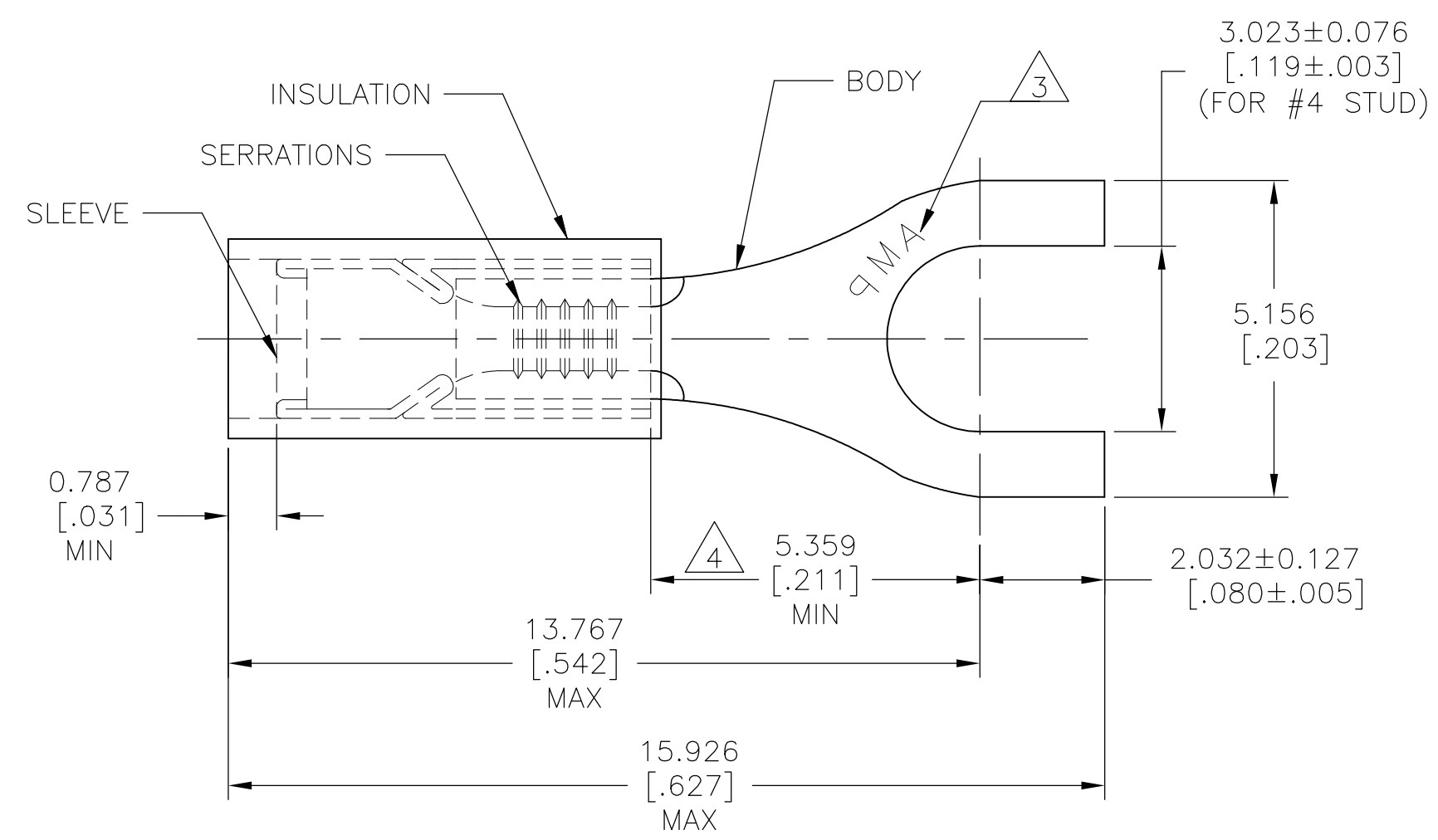
3

2

1

THIS DRAWING IS UNPUBLISHED. RELEASED FOR PUBLICATION
 © COPYRIGHT - By - ALL RIGHTS RESERVED.

REVISIONS					
P	LTR	DESCRIPTION	DATE	DWN	APVD
	M2	NEW DRAWING PER ECO-11-019045	03APR12	KH	DR
	M3	REVISED PER ECO-17-008114	01JUN2018	RS	DR



- 1 TONGUE MATERIAL THK: 0.457±0.051 [.018±.002]
- 2 FOR WIRE INSULATION DIA: 1.270 [.050] TO 2.083 [.082]
- 3 STAMP AMP APPROX AS SHOWN
- 4 DIMENSION APPLIES FROM EDGE OF METAL WIRE BARREL TO CENTER OF STUD
- 5 MATERIAL: BODY & SLEEVE: COPPER PER ASTM B152
INSULATION : NYLON
- 6 FINISH: BODY & SLEEVE: TIN PLATE PER ASTM B545
INSULATION: COLOR-YELLOW

1000	LOOSE PC	321035
QTY	PACKAGE TYPE	PART NO

AMP INCORPORATED CUSTOMER SERVICE SYSTEMS		THIS DRAWING IS A CONTROLLED DOCUMENT.		DWN 03APR12 KIRAN HOLAL CHK 03APR12 ROHDE DANIEL APVD 03APR12 ROHDE DANIEL PRODUCT SPEC APPLICATION SPEC 114-2157 WEIGHT CUSTOMER DRAWING		TE Connectivity Ltd.				
FOR ADDITIONAL PRODUCT INFORMATION OR COPIES OF DRAWINGS AND TECHNICAL DOCUMENTS PRODUCT INFORMATION CENTER 1-800-522-6752	RECOMMENDED OPERATING TEMPERATURE: 105°C [221°F]	DIMENSIONS: mm [INCHES]	TOLERANCES UNLESS OTHERWISE SPECIFIED: 0 PLC ± - 1 PLC ± - 2 PLC ± - 3 PLC ± 0.127 [.005] 4 PLC ± - ANGLES ± 5°	NAME WIRE TERMINAL, P.I.D.G.™ 26-22 SPADE #4 STUD		SIZE A3	CAGE CODE 00779	DRAWING NO 321035	RESTRICTED TO -	
FOR APPLICATION TOOLING INFORMATION TOOLING ASSISTANCE CENTER 1-800-722-1111	VOLTAGE RATING: 300 V MAX			MATERIAL 5		FINISH 6		SCALE 10:1	SHEET 1 OF 1	REV M3
FOR ORDER ENTRY 1-800-526-5142	WIRE CROSS SECTIONAL AREA RANGE: 0.10-0.41mm² [202-810] CIR.MIL STRANDED	MATERIAL 5		FINISH 6		CUSTOMER DRAWING		SCALE 10:1	SHEET 1 OF 1	REV M3

Mouser Electronics

Authorized Distributor

Click to View Pricing, Inventory, Delivery & Lifecycle Information:

[TE Connectivity:](#)

[8-321035-1](#)