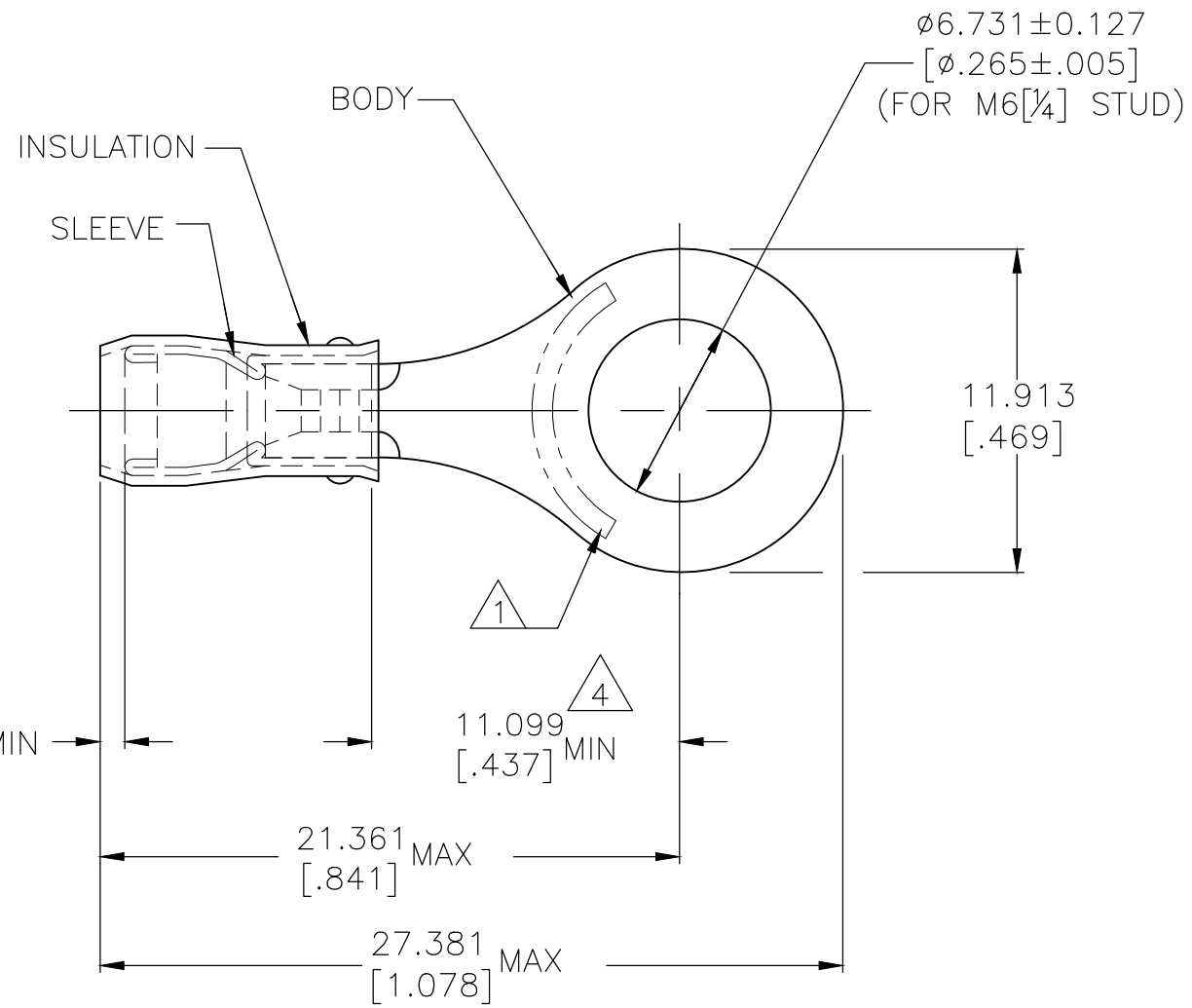


THIS DRAWING IS UNPUBLISHED. RELEASED FOR PUBLICATION
 © COPYRIGHT - By - ALL RIGHTS RESERVED.

| LOC | DIST | REVISIONS | | | |
|-----|------|-------------|---------------------------|-----------|-------|
| P | LTR | DESCRIPTION | DATE | DWN | APVD |
| G | 14 | AB1 | REVISED PER ECO-19-007720 | 21MAY2020 | KR DR |



| | | |
|--------------------------------|-----------------------|--------------------------------|
| AMP WIRE RANGE | E13288 Listed | LR7189 Certified |
| 22-16 AWG SOLID OR STRANDED | 22-16 AWG STRANDED | 22-16 AWG SOLID OR STRANDED |

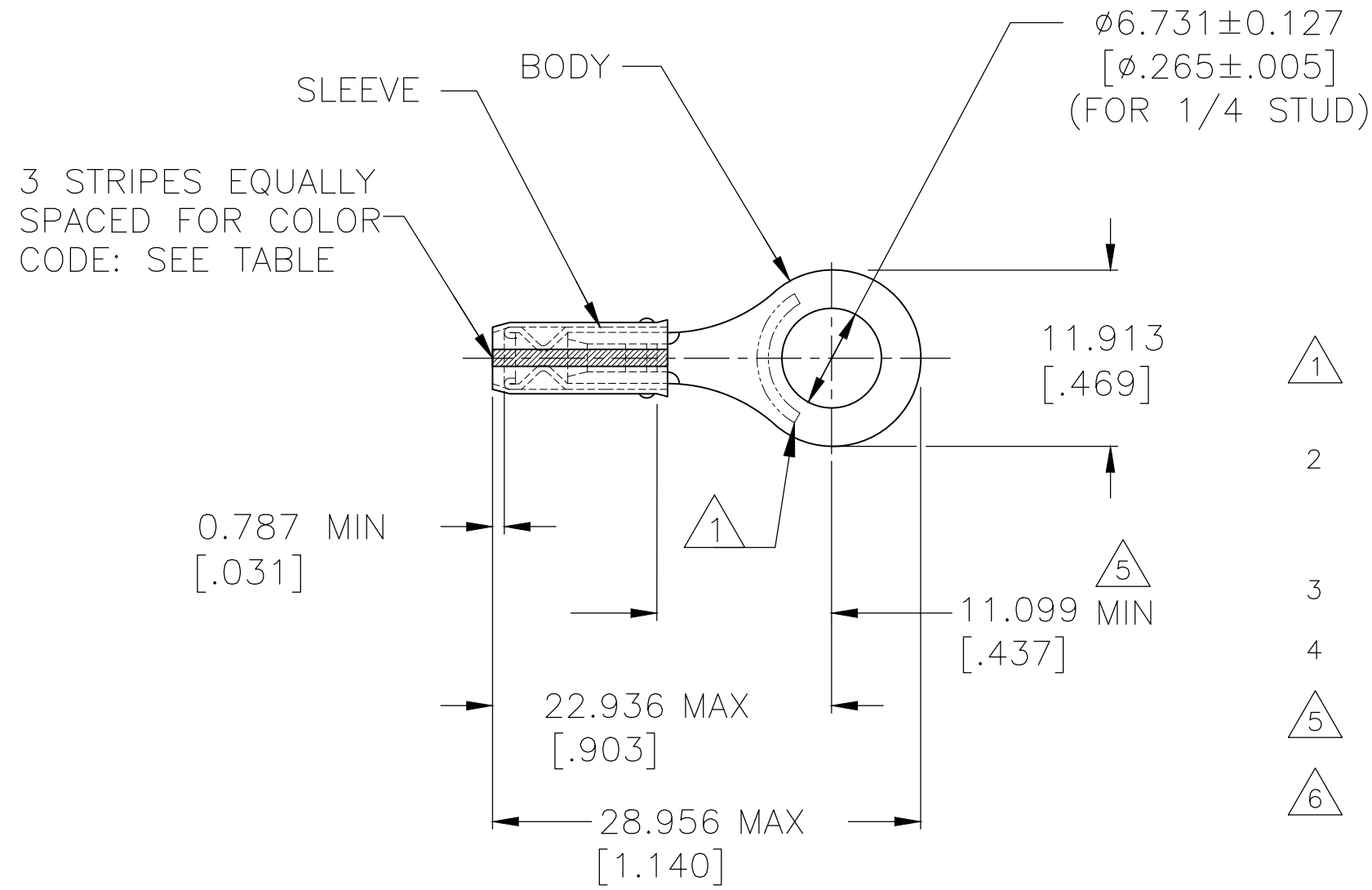
- 1 STAMP AMP 22-18* APPROX AS SHOWN
22-16 TERMINALS ARE STAMPED 22-18 IN
ACCORDANCE WITH MILITARY SPEC SAE AS7928
COMMERCIAL WIRE RANGE IS 22-16.
- 2 WIRE INSULATION DIA: 2.032-3.175[.080-.125].
- 3 BODY MATERIAL THK: 0.787±0.051[.031±.002].
- 4 APPERS FROM EDGE OF METAL WIRE BARREL TO
CENTER OF STUD HOLE.
- 5 UL LISTED
- 6 CSA CERTIFIED

| MILITARY P/N AND CLASS | QUANTITY | PACKAGE TYPE | PART NO |
|-------------------------|----------|------------------|------------|
| MS25036-150 CLASS 2 | 100 | LOOSE PIECE, BOX | 8-320571-1 |
| MS25036-150 CLASS 1 & 2 | 5000 | ON TAPE, REEL | 2-320571-2 |
| MS25036-150 CLASS 1 & 2 | 1000 | LOOSE PIECE | 320571 |

| | | | | | | | | |
|--|--|---|--|--|------------------------------|---|--------------------|------------------------|
| AMP INCORPORATED CUSTOMER SERVICE SYSTEMS | | MAX RECOMMENDED OPERATING TEMPERATURE: 105°C[221°F] MAX | THIS DRAWING IS A CONTROLLED DOCUMENT. | | DWN DK SCHRUM 9/8/93 | TE Connectivity | | |
| FOR ADDITIONAL PRODUCT INFORMATION OR COPIES OF DRAWINGS AND TECHNICAL DOCUMENTS | PRODUCT INFORMATION CENTER 1-800-522-6752 | VOLTAGE RATING: 300 V MAX | DIMENSIONS: mm [INCHES] | TOLERANCES UNLESS OTHERWISE SPECIFIED: 0 PLC ± - 1 PLC ± - 2 PLC ± - 3 PLC ± .127[.005] 4 PLC ± - ANGLES ± - | CHK RE HERSEY 9/8/93 | NAME TERMINAL, RING TONGUE, PIDG™, WIRE SIZE: 22-16 AWG | | |
| FOR APPLICATION TOOLING INFORMATION | TOOLING ASSISTANCE CENTER 1-800-722-1111 | CIRCULAR MIL AREA: 0.26-1.65mm²[509-3,260] CIR MILS SOLID OR STRANDED | | FINISH BODY & SLEEVE TIN PLATE PER ASTM B545 INSULATION: COLOR-RED | APVD ML ELLIS 9/8/93 | PRODUCT SPEC UL 486A-B | | RESTRICTED TO |
| FOR ORDER ENTRY | 1-800-526-5142 | MATERIAL BODY & SLEEVE COPPER PER ASTM B-152 INSULATION: NYLON | MATERIAL | | APPLICATION SPEC 114-2157 | SIZE A3 | CAGE CODE 00779 | DRAWING NO C-320571 |
| CUSTOMER DRAWING | | | | | WEIGHT - | SCALE NTS | SHEET 1 of 2 | REV AB1 |

THIS DRAWING IS UNPUBLISHED. RELEASED FOR PUBLICATION
 © COPYRIGHT - By - ALL RIGHTS RESERVED.

| LOC | DIST | REVISIONS | | | | |
|-----|------|-------------|-------------|-----|------|--|
| P | LTR | DESCRIPTION | DATE | DWN | APVD | |
| G | 14 | - | SEE SHEET 1 | - | - | |



| | |
|--------------------------|---------------------------------|
| AMP WIRE RANGE | LR7189 Certified |
| SEE TABLE STRANDED | WIRE SIZE PER TABLE STRANDED |

- 1 STAMP AMP APPROX AS SHOWN SEE TABLE BELOW.
- 2 WIRE INSULATION DIA: 0.965–2.794 [.038–.110] FOR 22 AWG
1.168–2.794 [.046–.110] FOR 20 AWG
1.422–2.794 [.056–.110] FOR 18 AWG.
- 3 BODY MATERIAL THK: 0.79±0.05 [.031±.002].
- 4 NOTE DELETED.
- 5 APPEARS FROM EDGE OF METAL WIRE BARREL TO CENTER OF STUD HOLE.
- 6 CSA CERTIFIED

| 6 | M7928/1-34 CLASS 1 & 2 | WHITE | 18* | 18 | 1000 | LOOSE PIECE | 2-320571-5 |
|---|------------------------|--------------|----------|-----------|----------|--------------|------------|
| 6 | M7928/1-25 CLASS 1 & 2 | RED | 20* | 20 | 1000 | LOOSE PIECE | 2-320571-4 |
| 6 | M7928/1-16 CLASS 1 & 2 | GREEN | 22* | 22 | 1000 | LOOSE PIECE | 2-320571-3 |
| | MILITARY P/N AND CLASS | STRIPE COLOR | STAMPING | WIRE SIZE | QUANTITY | PACKAGE TYPE | PART NO |

| | | | | | | | |
|--|--|--|---|---|----------------------------|---|------------------------|
| AMP INCORPORATED CUSTOMER SERVICE SYSTEMS | | MAX RECOMMENDED OPERATING TEMPERATURE: 105°C [221°F] MAX | THIS DRAWING IS A CONTROLLED DOCUMENT. | | DWN DK SCHRUM 9/8/93 | TE Connectivity | |
| FOR ADDITIONAL PRODUCT INFORMATION OR COPIES OF DRAWINGS AND TECHNICAL DOCUMENTS | PRODUCT INFORMATION CENTER 1-800-522-6752 | VOLTAGE RATING: 300 V MAX | DIMENSIONS: mm [INCHES] | TOLERANCES UNLESS OTHERWISE SPECIFIED: | CHK RE HERSEY 9/8/93 | NAME TERMINAL, RING TONGUE, I.R., PIDG™, WIRE SIZE: 22, 20 & 18 AWG | |
| FOR APPLICATION TOOLING INFORMATION | TOOLING ASSISTANCE CENTER 1-800-722-1111 | WIRE RANGE: 22, 20, 18 CIRC MIL AREA: 0.38mm² [754], 0.60mm² [1,186], 0.96mm² [1,900] STRANDED | | 0 PLC ±- 1 PLC ±- 2 PLC ±- 3 PLC ±.127 [.005] 4 PLC ±- ±- ANGLES | APVD ML ELLIS 9/8/93 | APPLICATION SPEC 114-2157 | RESTRICTED TO |
| FOR ORDER ENTRY | 1-800-526-5142 | MATERIAL BODY & SLEEVE COPPER PER ASTM B-152 INSULATION: NYLON | FINISH BODY & SLEEVE TIN PLATE PER ASTM B545 INSULATION: COLOR-RED | WEIGHT - | SIZE A3 | CAGE CODE 00779 | DRAWING NO C-320571 |
| CUSTOMER DRAWING | | | | | SCALE NTS | SHEET 2 of 2 | REV AB1 |

Mouser Electronics

Authorized Distributor

Click to View Pricing, Inventory, Delivery & Lifecycle Information:

[TE Connectivity:](#)

[2-320571-4](#)