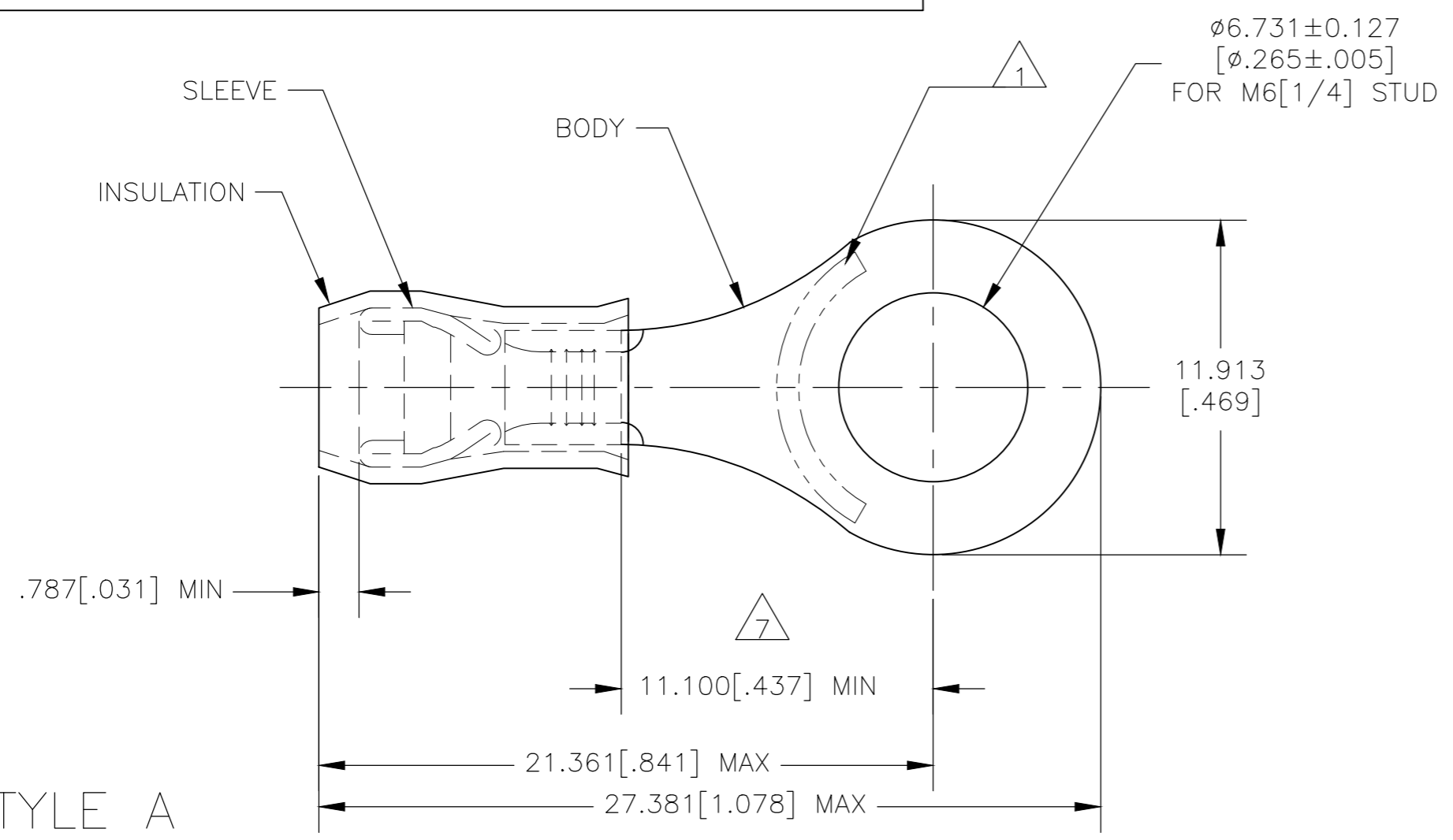
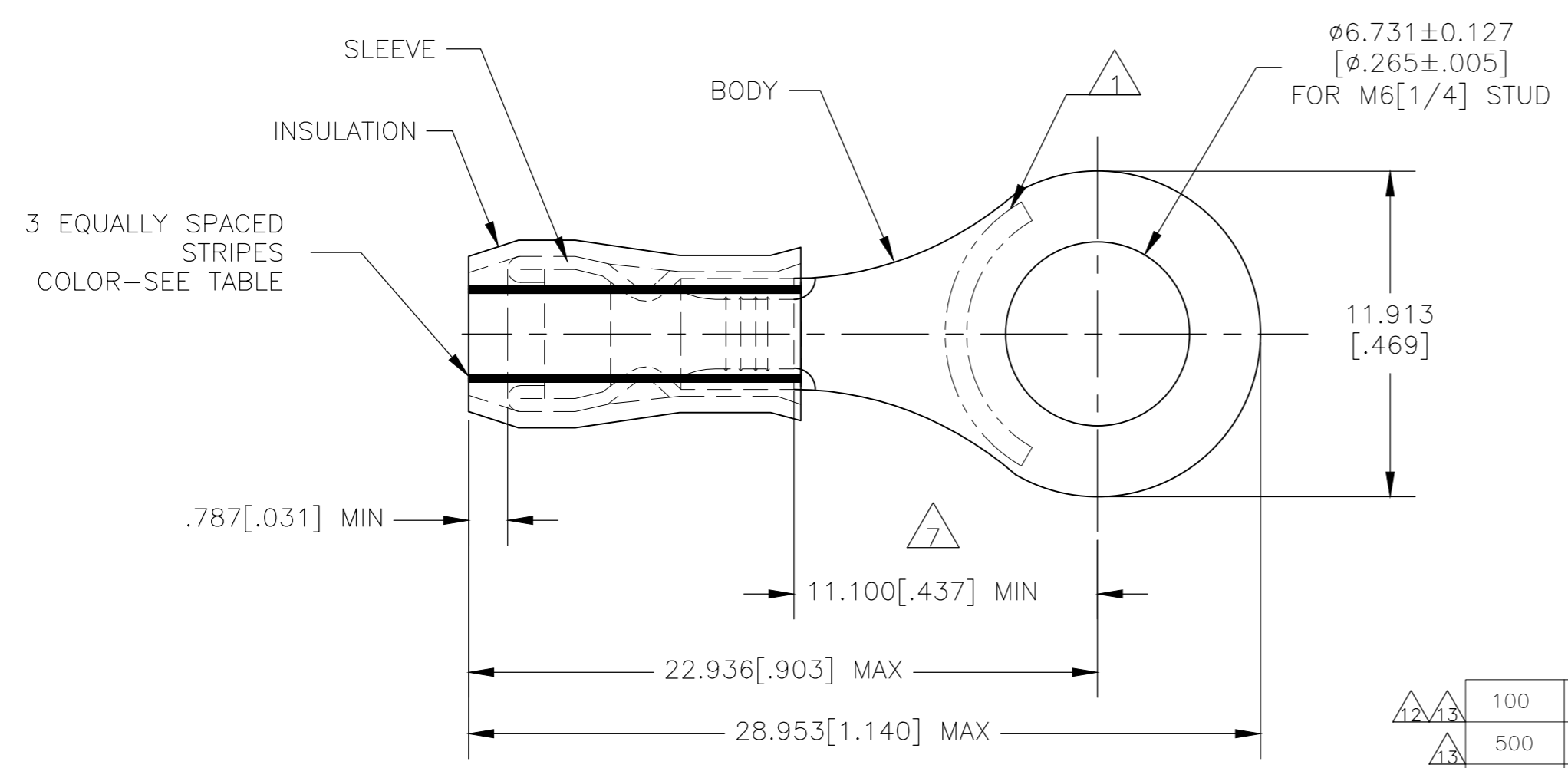


LOC	DIST	REVISIONS					
G	14	P	LTR	DESCRIPTION	DATE	DWN	APVD
		P1		REVISED PER ECO-19-007720	21MAY2020	KR	DR



AMP WIRE RANGE	UL E13288 Listed	LR7189 Certified
16-14 AWG SOLID OR STRANDED IR: STRANDED	16-14 AWG STRANDED	WIRE SIZE PER TABLE SOLID OR STRANDED IR: STRANDED

- 1 STAMP "AMP - SEE TABLE" APPROX AS SHOWN.
- 2 WIRE INSULATION DIA: SEE TABLE.
- 3 BODY MATERIAL THK: 0.787[.031]±0.051[.002].
- 4 BODY: TIN PLATE 0.00254[.000100] MIN EXT THK PER ASTM B545.
- 5 SLEEVE: TIN PLATE 0.00254[.000100] MIN EXT THK PER ASTM B545.
- 6 BODY & SLEEVE- CU PER ASTM B152 INSULATION - NYLON PER ASTM D4066.
- 7 APPLIES FROM EDGE OF METAL WIRE BARREL TO CENTER OF STUD HOLE.
- 8 MEETS MS25036-154, CLASS 1 & 2.
- 9 MEETS MS25036-154, CLASS 2.
- 10 MEETS M7928/1-43, CLASS 1 & 2.
- 11 MEETS M7928/1-52, CLASS 1 & 2.
- 12 UL LISTED
- 13 CSA CERTIFIED



100	LOOSE PIECE, BOX	16-14*	2.667[.105]-3.810[.150]	16-14	--	A			8-320563-1
500	LOOSE PIECE	14*	1.981[.078]-3.302[.130]	14	GREEN	B			2-320563-4
500	LOOSE PIECE	16*	1.600[.063]-3.302[.130]	16	BLUE	B	4	5	2-320563-3
500	320563 ON TAPE	16-14*	2.667[.105]-3.810[.150]	16-14	--	A			2-320563-2
500	LOOSE PIECE	16-14*	2.667[.105]-3.810[.150]	16-14	--	A			320563
QTY	PACKAGE TYPE	STAMPING	WIRE INSUL DIA	WIRE SIZE	STRIPE COLOR	STYLE	BODY FINISH	SLEEVE FINISH	PART NO

CUSTOMER SERVICE SYSTEMS		MAX RECOMMENDED OPERATING TEMPERATURE: 105°C[221°F] MAX		THIS DRAWING IS A CONTROLLED DOCUMENT.		DWN: JR RUTH 13JAN10 CHK: T MICHELUTTI 13JAN10		STE TE Connectivity	
FOR ADDITIONAL PRODUCT INFORMATION OR COPIES OF DRAWINGS AND TECHNICAL DOCUMENTS: PRODUCT INFORMATION CENTER 1-800-522-6752		VOLTAGE RATING: 300 VOLT MAX		DIMENSIONS: mm [INCHES]		APVD: T MICHELUTTI 13JAN10			
FOR APPLICATION: TOOLING ASSISTANCE CENTER 1-800-722-1111		CIRCULAR MIL AREA: 1.02-2.62mm² [2,050-5,180] STRANDED OR SOLID		TOLERANCES UNLESS OTHERWISE SPECIFIED: 0 PLC ± - 1 PLC ± - 2 PLC ± - 3 PLC ± 0.127(.005) 4 PLC ± - ANGLES ± -		NAME: UL 486 A-B		TERMINAL, RING TONGUE, PIDG, WIRE SIZE: 16-14 AWG, PIDG IR: 16 & 14 AWG	
TOOLING INFORMATION: 1-800-722-1111				MATERIAL: 6		APPLICATION SPEC: 114-2157		SIZE: A2 CAGE CODE: 00779 DRAWING NO: C-320563	
FOR ORDER ENTRY: 1-800-526-5142		THIS DRAWING IS A CONTROLLED DOCUMENT FOR AMP INCORPORATED. IT IS SUBJECT TO CHANGE AND THE CONTROLLING ENGINEERING ORGANIZATION SHOULD BE CONTACTED FOR THE LATEST REVISION.		FINISH: SEE TABLE		WEIGHT: -		RESTRICTED TO: -	
						CUSTOMER DRAWING		SCALE: 5:1 SHEET: 1 of 1 REV: P1	

Mouser Electronics

Authorized Distributor

Click to View Pricing, Inventory, Delivery & Lifecycle Information:

[TE Connectivity:](#)

[2-320563-2](#)