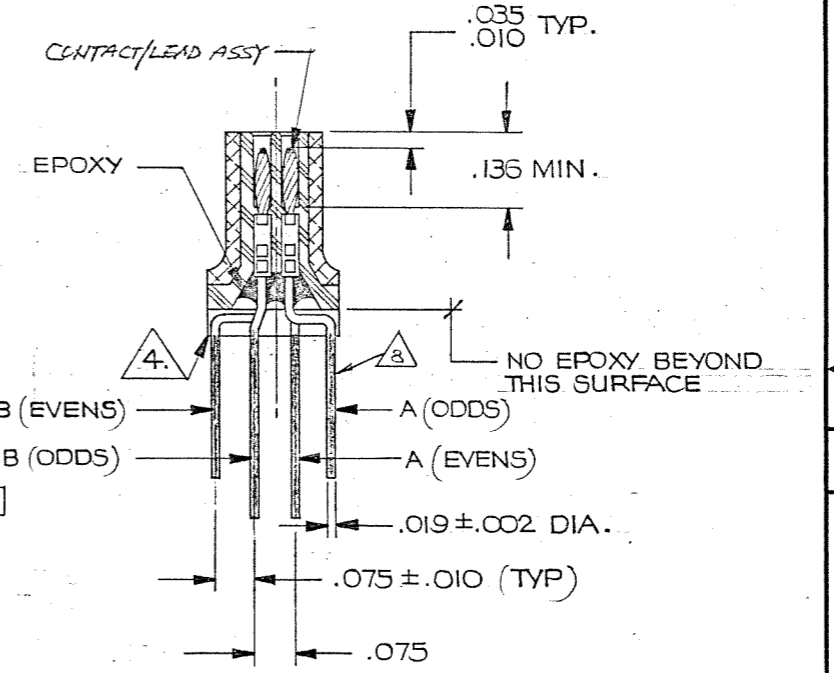
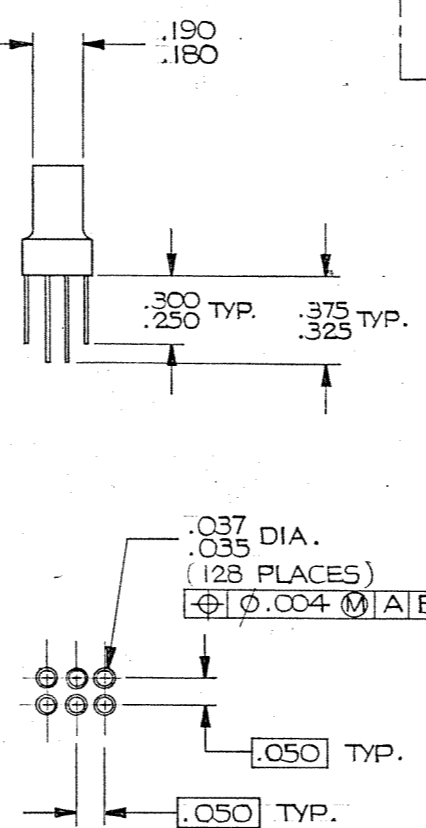
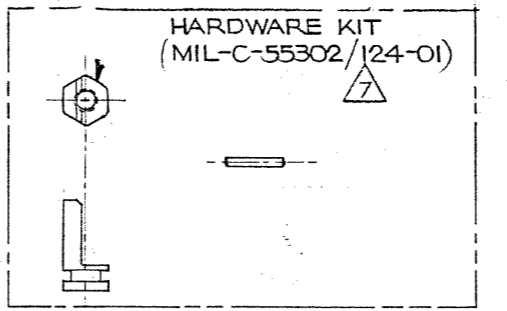
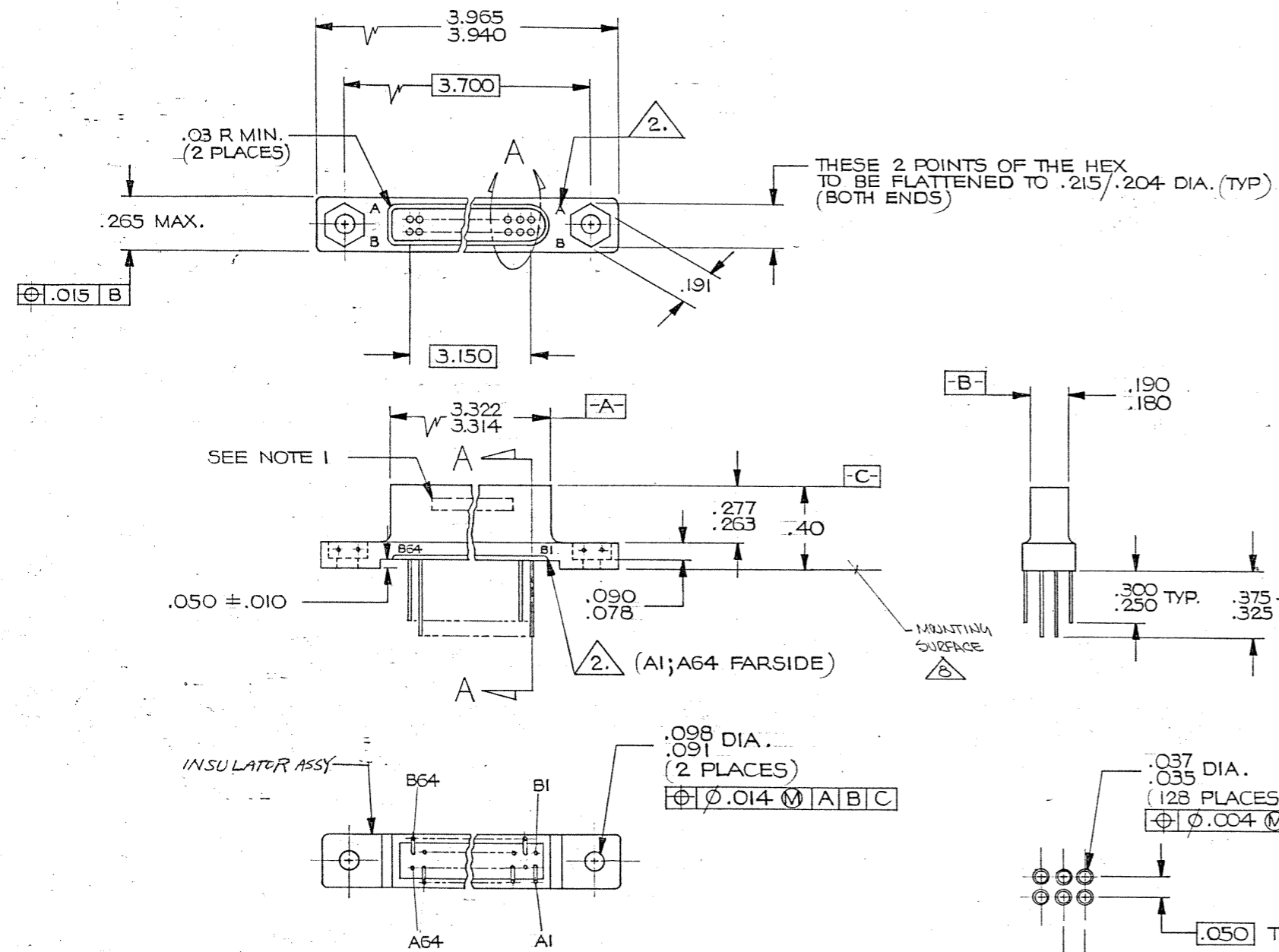


REVISIONS					
ZONE	LTR	ECN	DESCRIPTION	DATE	APPROVED
	C	30911	REVISED AND REDRAWN ORIG. RELEASED BY L.M.(5.1.87)	7/10/87	
	D	30959	UPDATE REV. LETTER	8/28/87	
	E	31354	UPDATE REV LETTER	4/21/88	
	F	31455	ADDED TINUING INSTRUCTION	4-22-88	
	G	32510	REV.LTR UPDATE	9/5/81	
	H	33712	TITLE UPDATED SEE ECN	3/14/91	
	J	38602	GENERAL UPDATE	2/12/99	
	K	39012	UPDATE REV LETTER	6-4-99	



- NOTES: (UNLESS OTHERWISE SPECIFIED)
- MARK PER T1S.
 - CAVITY IDENT AS SHOWN, BLACK CHARACTERS, IN ACCORDANCE WITH MIL-STD-1285.
 - FORM TERMINAL WIRES AS SHOWN. NO SCRATCHES EXPOSING BASE METAL PERMITTED ON WIRES AFTER FORMING.
 - THE 90° BEND IN THE TERMINAL SHALL NOT EXTEND BELOW THE PLANE OF THE MOUNTING FLANGE.
 - Q.A. X-RAY REQUIREMENTS: (QUAL 1/2 REQUAL UNITS ONLY)
REPRESENTATIVE SAMPLE CONNECTORS SHALL BE X-RAYED BY THE WET FILM PROCESS TO PRODUCE 1 TO 1 CONTACT IMAGES. TWO DIFFERENT LATERAL IMAGES SHALL BE TAKEN AT ± 26.5° INCIDENT ANGLES SO AS TO VIEW BOTH ROWS OF CONTACTS SIMULTANEOUSLY IN EACH IMAGE. THE DEVELOPED FILM SHALL BE INSPECTED AT 10 POWER MINIMUM MAGNIFICATION FOR PROPER PIN BUNDLE 1/2 TERMINAL WIRE INSERTION DEPTH.
 - MATES W/ CONNECTORS SPECIFIED IN MIL-C-55302/121.

- NOTES: (CONTINUED)
- TWO POLARIZING KEYS AND FOUR RETAINING PINS ARE SUPPLIED BUT NOT ASSEMBLED. HARDWARE SHALL BE SEALED IN A CLEAR POLY BAG, IDENTIFIED "MIL-C-55302/124-01", DATE CODE "98278" PACKAGED ALONG WITH THE CONNECTOR.
 - LEADS TINNED AS SHOWN (TINUING MAY GO "UP" BEYOND THE MOUNTING SURFACE)

QTY REQD	CODE IDENT	PART OR IDENTIFYING NO.	NOMENCLATURE OR DESCRIPTION
PARTS LIST			
UNLESS OTHERWISE SPECIFIED DIMENSIONS ARE IN INCHES TOLERANCES ARE: FRACTIONS DECIMALS ANGLES ± .XX ± .02 ± .XXX ± .005		CONTRACT NO.	
MATERIAL		APPROVALS	DATE
FINISH		DRAWN L.MATEO	6/22/87
NEXT ASSY		CHECKED M.SHIMAWA	7-10-87
USED ON		PR. ENG. M.SHIMAWA	7-10-87
APPLICATION		APPD.	
DO NOT SCALE DRAWING		MALCO A MICRODOT COMPANY, INC. 220 PASADENA AVE., SO. PASADENA, CALIF. 91030	
		PROD. CODE 844 CODE CDM	
		CONNECTOR, PLUG, METAL SHELL MCEMI-128LZ MIL-C-55302/120	
		SIZE	DRAWING NO.
		C 98278	095-0087-7113
		SCALE NONE	SHEET 1 OF 1

Tyco Dwg 2-1532018-5
Micro P/N 095-0087-7113

Mouser Electronics

Authorized Distributor

Click to View Pricing, Inventory, Delivery & Lifecycle Information:

[TE Connectivity:](#)

[2-1532018-5](#)